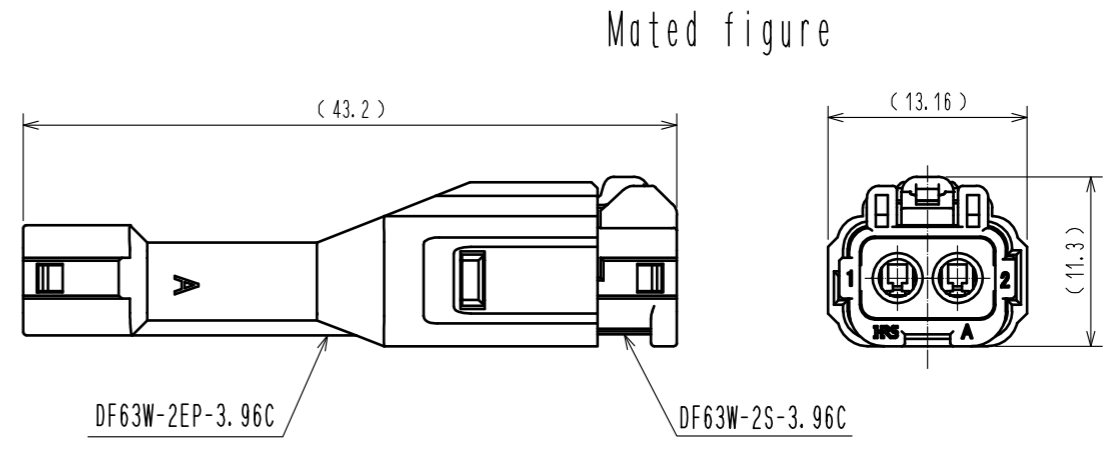
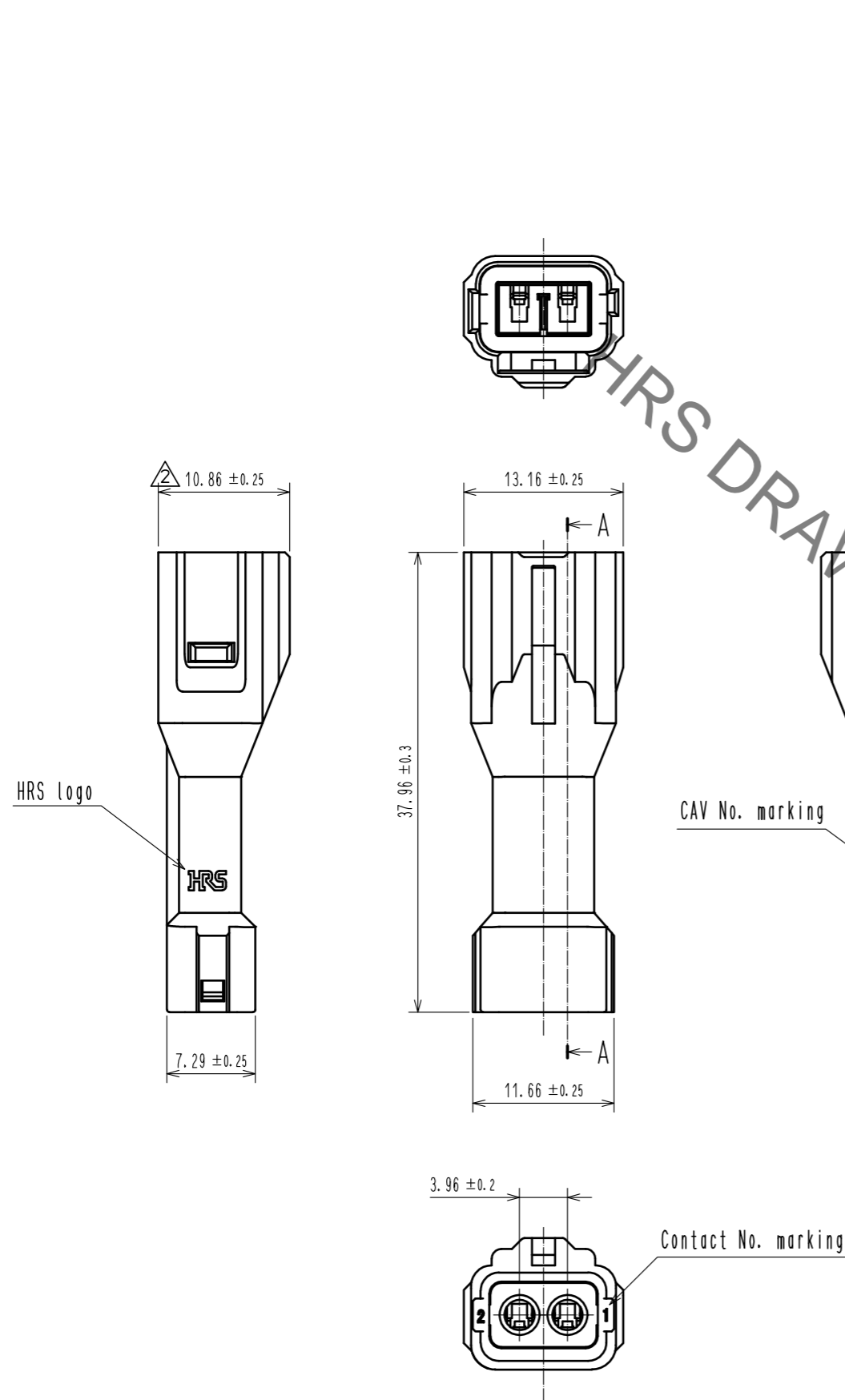


May.1.2023 Copyright 2023 HIROSE ELECTRIC CO., LTD. All Rights Reserved.
In case of consideration for using Automotive equipment / device which demand high reliability, kindly contact our sales window correspondents.

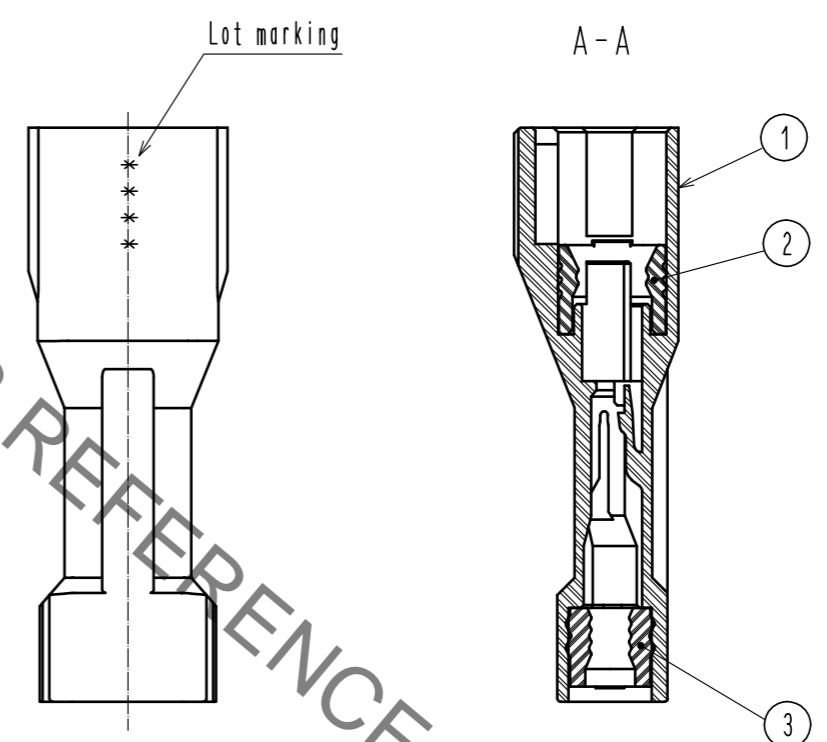
1 2 3 4 5 6 7 8

A
B
C
D
E
F

A
B
C
D
E
F



HRS DRAWING FOR REFERENCE



- Notes.
1. 100 pcs. / pack
 2. Applicable cable dia : $\phi 2.8 \sim \phi 3.2$ mm
 3. The dimensions in parenthesis are reference dimensions.
 4. Always refer to the manuals below for operation of this product.
For cable assembly / ETAD-H0814

1	PBT	UL94V-0 (Black)	3	Silicone rubber	Blue
2			2	Silicone rubber	Blue
NO.	MATERIAL	FINISH . REMARKS	NO.	MATERIAL	FINISH . REMARKS
UNITS mm		SCALE 2 : 1	COUNT 1	DESCRIPTION OF REVISIONS DIS-H-00000968	DESIGNED TO. HORII
		APPROVED : HK. UMEHARA	15.03.10	DESIGNED	CHECKED
		CHECKED : HK. UMEHARA	15.03.10	TO. HORII	HK. UMEHARA
		DESIGNED : TO. HORII	15.03.10	DATE	15.10.07
		DRAWN : TO. HORII	15.03.10	DRAWING NO. EDC-359247-00-00	
		HIROSE ELECTRIC CO., LTD.		PART NO. DF63W-2EP-3.96C	
				CODE NO. CL680-0605-9-00	
				1/1	