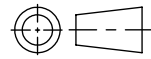
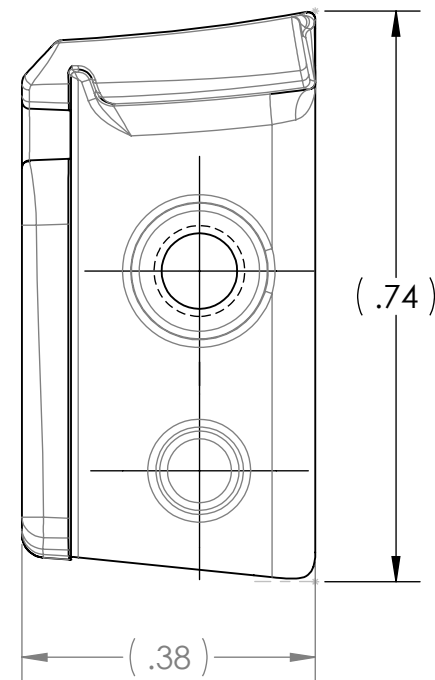
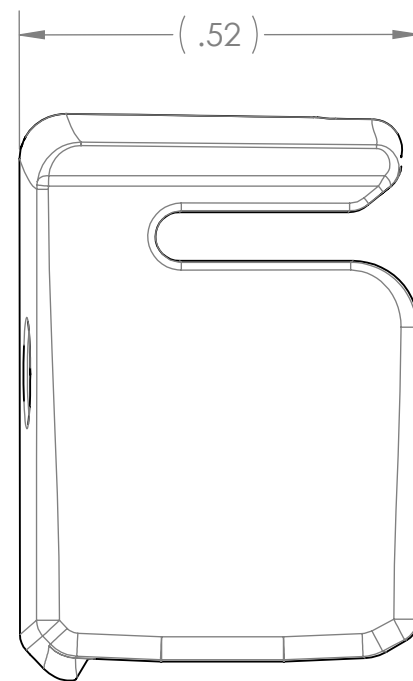
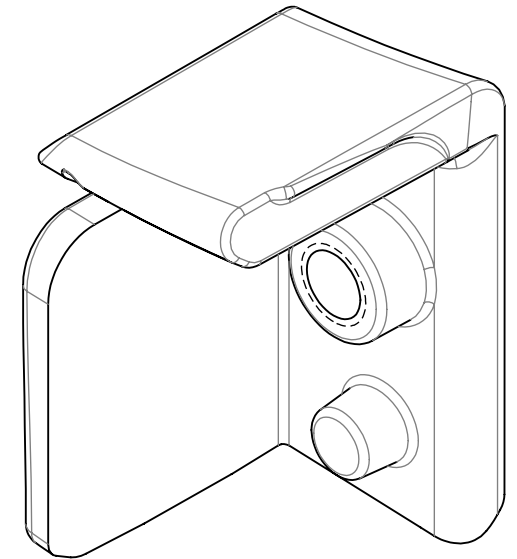
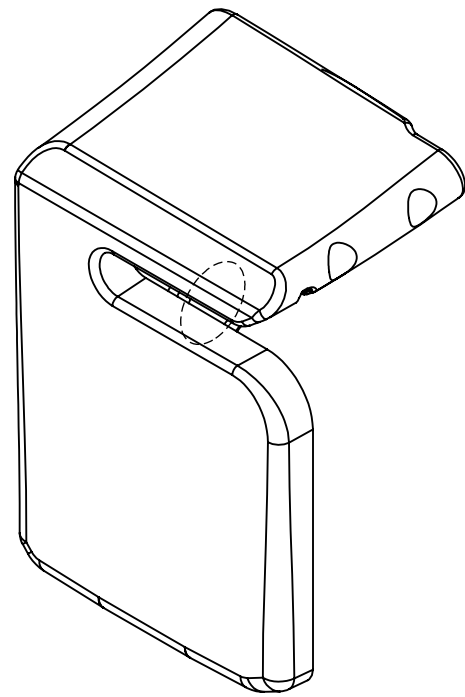


SW2010



Revision level		Revision Record	Changed	Date	Approved	Date
Drawing	Part					
00	-	SEE ECN# 300043	TJM	07/30/2012	TJM	07/30/2012



NOTE: TIE TAIL LENGTH INCREASED BY APPROXIMATELY 1MM OVER STANDARD NOSEPIECE

Notes	Material	Units	inches	The copyright of this drawing is reserved by HellermannTyton. It is issued on condition that it is not reproduced, copied, or disclosed to a third party, either wholly or in part, without the consent of HellermannTyton.	Drawn	TJM	07/30/2012	Article/Type-No	110-70131	Scale	4:1		
	METAL	Dimension without tolerances details to:	.xxxx = ±.0005 .xxx = ±.005 .xx = ±.01 .x = ±.03 None = ±.06 ∠ = ±0.5°		Approved	TJM	07/30/2012	Title	NOSEPIECE ALTERNATE 1MM TIE TAIL	Project Number	PRP07-022		
					HellermannTyton North America Email: corp@htamericas.com Web: www.hellermann.tyton.com			Drawing-No	07-022-451-CSU	Production : Phase	Format	B	
								Sheet	1/1				