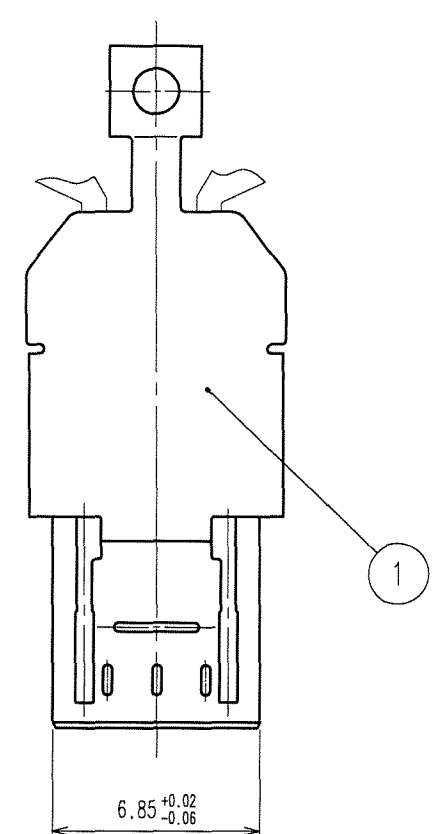
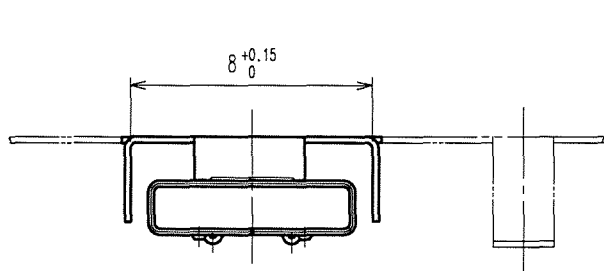


Apr.1.2023 Copyright 2023 HIROSE ELECTRIC CO., LTD. All Rights Reserved.
 In case of consideration for using Automotive equipment / device which demand high reliability, kindly contact our sales window correspondents.

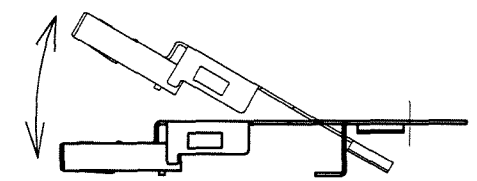
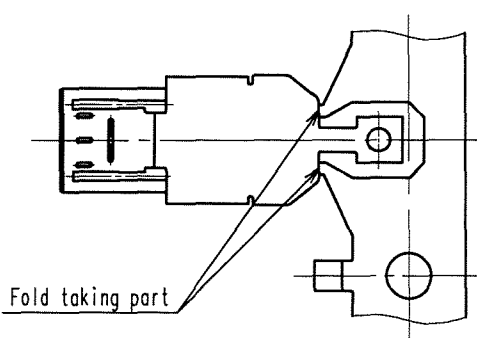
COUNT	DESCRIPTION OF REVISIONS	BY	CHKD	DATE	COUNT	DESCRIPTION OF REVISIONS	BY	CHKD	DATE
△				..	△				..
△				..	△				..
△				..	△				..



1 Fig - 1 REELING



3 Fig - 2 CUT OF A CAREER



- NOTES
- 1 This is delivered by a reel. QTY:4000pcs
 - 2 Shown on a reel and a box is ; "Part No." , "Code No." , "Lot No." , "QTY"
 - 3 Cut off a career as shown in Fig-2.

1	STAINLESS STEEL	Nickel 0.1μ m MIN.
NO.	MATERIAL	FINISH, REMARKS

CODE NO. (OLD)	DRAWN	DESIGNED	CHECKED	APPROVED	RELEASED
	<i>T. Ando</i>	<i>T. Ando</i>	<i>R. Hayama</i>	<i>Shigehiko</i>	
	07.09.03	07.09.03	07.09.03	07.09.03	..
SCALE	DRAWING NO.		PART NO.		
4 : 1	EDC3-126049		ZX40-A-SLDA		
UNITS	HRS HIROSE ELECTRIC CO., LTD		CODE NO.		
mm			CL242-0011-5		

TO