

COUNT	DESCRIPTION OF REVISIONS	BY	CHKD	DATE	COUNT	DESCRIPTION OF REVISIONS	BY	CHKD	DATE
2	RE-H-06269	T.Y.	T.S	04.5.21					

Fig.1 : RECOMMENDED PATTERN Fig.2 : PLATING SPECIFICATION (40:1)

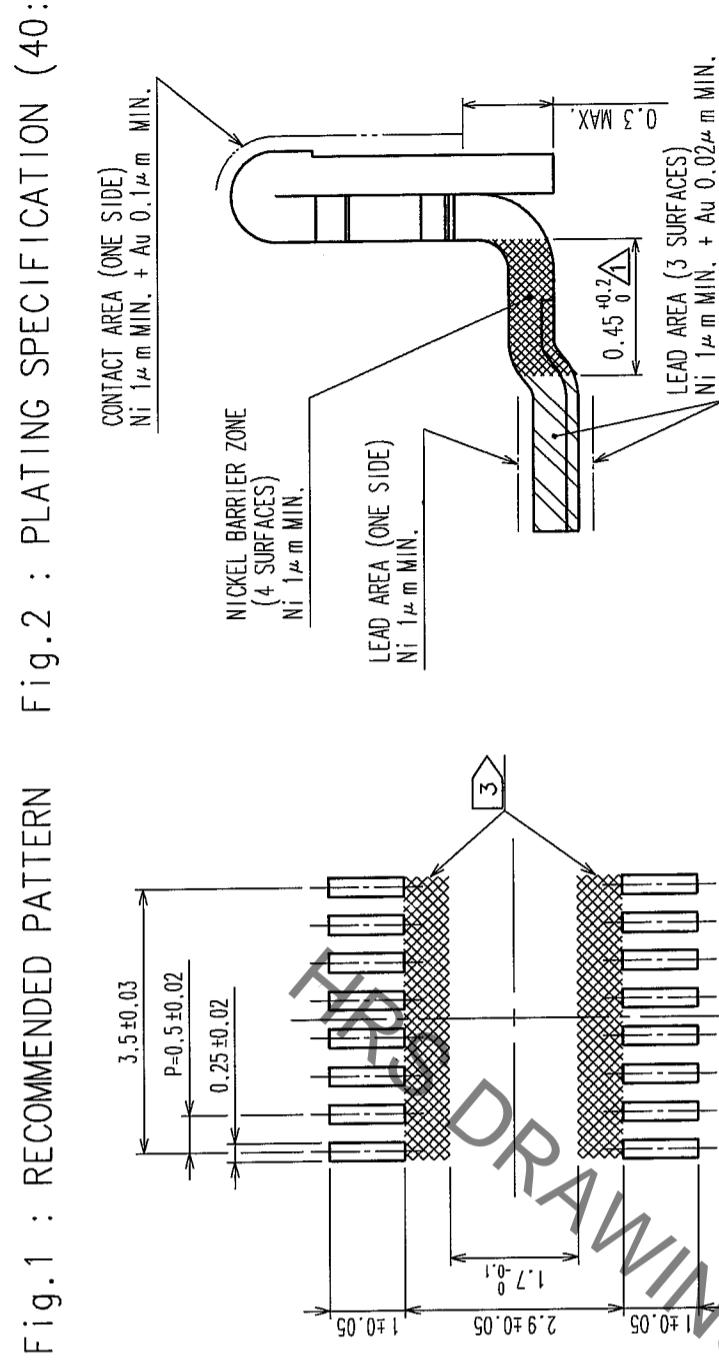


Fig.3 : A-A CROSS SECTION VIEW

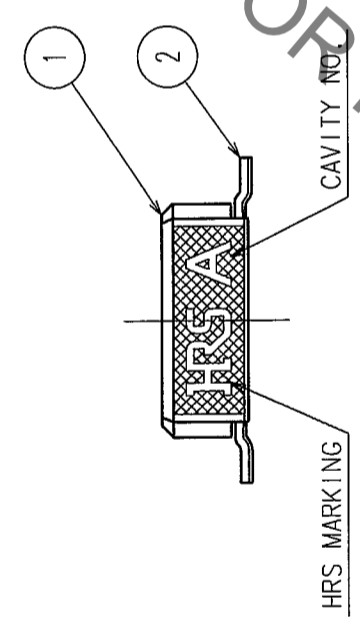
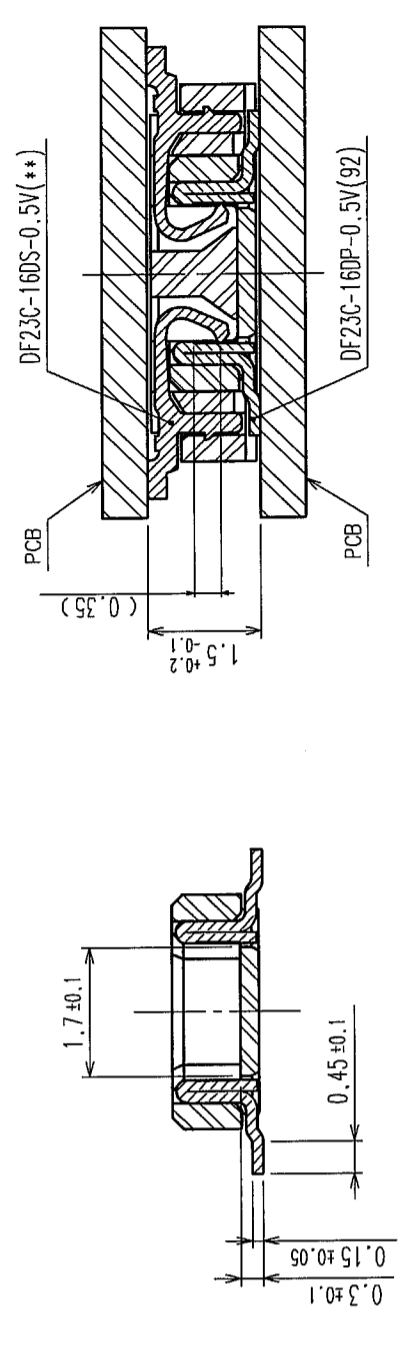


Fig.4 : MATING VIEW



NOTES 1 LEAD CO-PLANARITY SHALL BE 0.1mm MAX.
 2 REFER TO FIG.2
 3 WHEN A PART MARKED WITH HAS A PATTERN BUT NO RESIST ON IT, TAKE CARE TO PREVENT THE CONNECTOR FROM TOUCHING IT.

NO.	MATERIAL	FINISH, REMARKS	NO.	MATERIAL	FINISH, REMARKS
2	PHOSPHOR BRONZE		4	POLYESTER	CLEAR
1	LCP	BLACK,UL94V-0	3	PS	CLEAR

CODE NO. (OLD)	DRAWN	DESIGNED	CHECKED	APPROVED	RELEASED
	A.Hirota	T.Yamamoto	K.Akiyama	K.Akiyama	
	'03.06.12	'03.06.12	'03.06.12	'03.06.12	

DRAWING NO.	PART NO.
EDC3-164009-11	DF23C-16DP-0.5V(92)

SCALE	UNITS	CODE NO.
10 : 1	mm	CL688-0807-4-92



HIROSE ELECTRIC CO., LTD

1/2

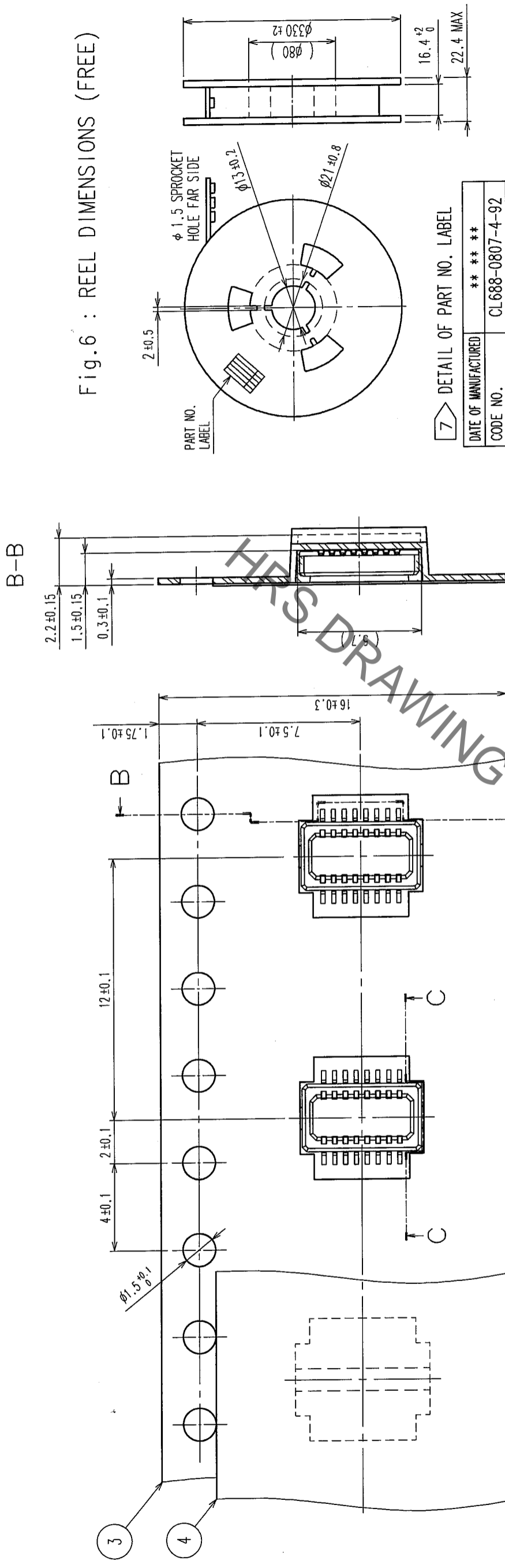


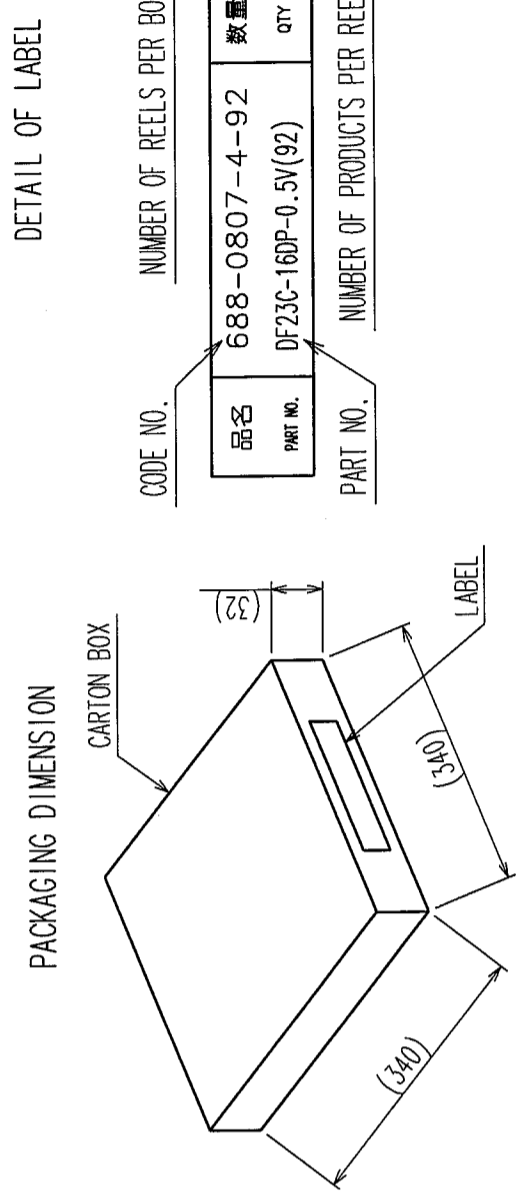
Fig. 6 : REEL DIMENSIONS (FREE)

7 > DETAIL OF PART NO. LABEL

DATE OF MANUFACTURED	*****
CODE NO.	CL688-0807-4-92
PART NO.	DF23C-16DP-0.5V(92)
QUANTITY	2000
SUPPLIER	HIROSE ELECTRIC CO.,LTD.

DIRECTION OF UNREELING

Fig. 7 : PACKAGING SPECIFICATION (FREE)



DETAIL OF LABEL

PACKAGING DIMENSION

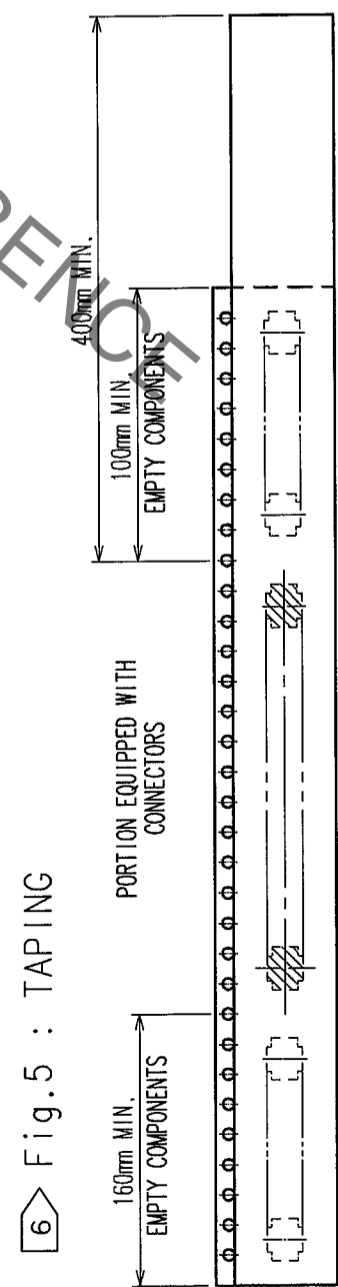


Fig. 5 : TAPING

TRAILER LEADER

NOTES

4 PER REEL 2000 CONNECTORS

5 THE DIMENSIONS IN PARENTHESES ARE FOR REFERENCE.

6 REFER TO JIS C 0806 (PACKAGING OF COMPONENTS FOR AUTOMATIC HANDLING)

7 DETAIL OF PART NO. LABEL IS WRITTEN IN JAPANESE.

CODE NO. (OLD)		DESIGNED	T. Yamamoto	CHECKED	K. Akiyama	APPROVED	K. Akiyama	RELEASED	
DRAWN	A. Hirota	'03.06.12	'03.06.12	'03.06.12	'03.06.12				
DRAWING NO.	EDC3-164009-11	PART NO.	DF23C-16DP-0.5V(92)						
SCALE	5 : 1	CODE NO.	CL688-0807-4-92						
UNITS	ITEM								

HIROSE ELECTRIC CO., LTD.

CL688-0807-4-92

2

NC