

COUNT	DESCRIPTION OF REVISIONS	BY	CHKD	DATE	COUNT	DESCRIPTION OF REVISIONS	BY	CHKD	DATE
5	RE-H-05647	A.H.K.A	T.S	03. 6. 30					
1	RE-H-05903	T.Y	T.S	03.11.13					

Fig.1 : A-A(10:1)

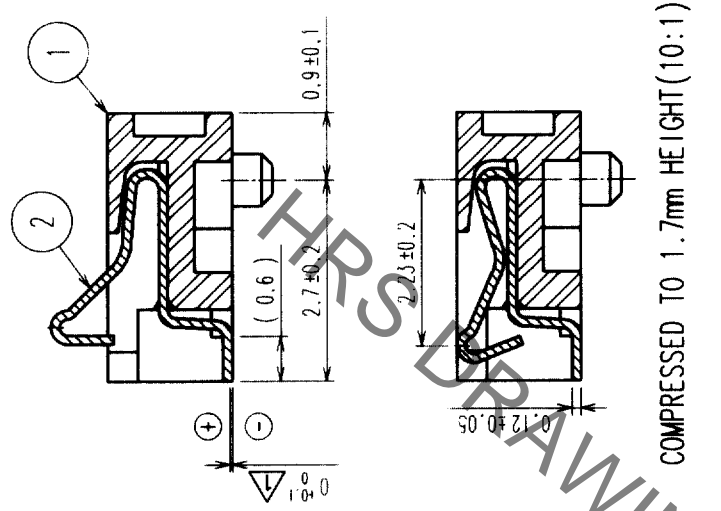


Fig.2 : PLATING SPECIFICATION (20:1)

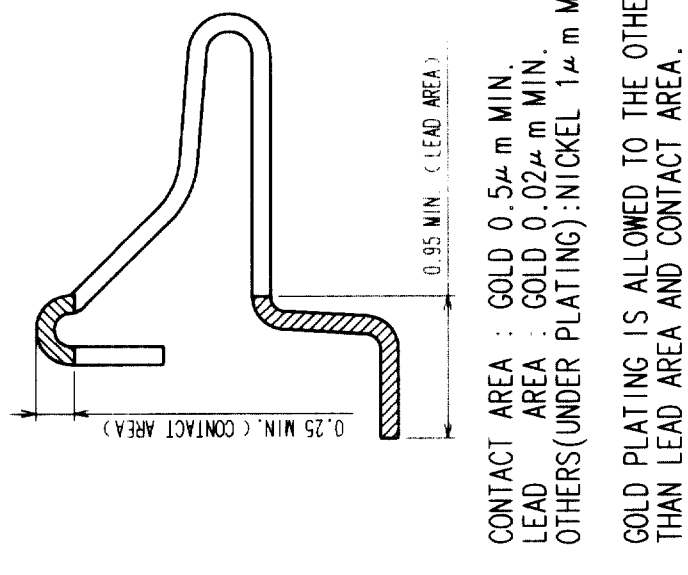


Fig.3 : RECOMMENDED PATTERN FOR MOUNTING (5:1)

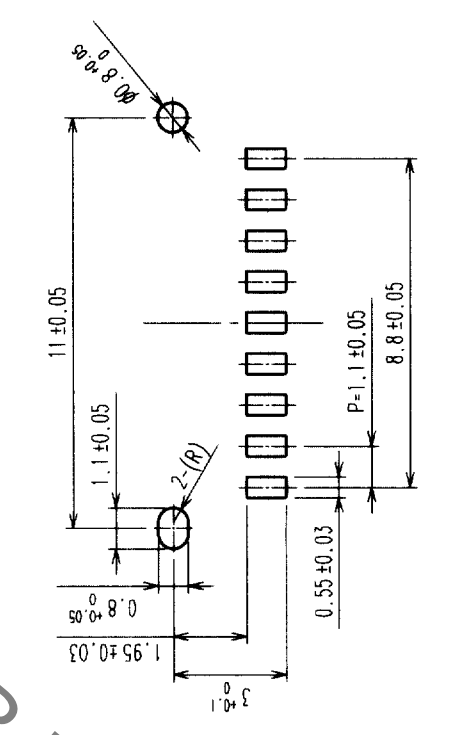
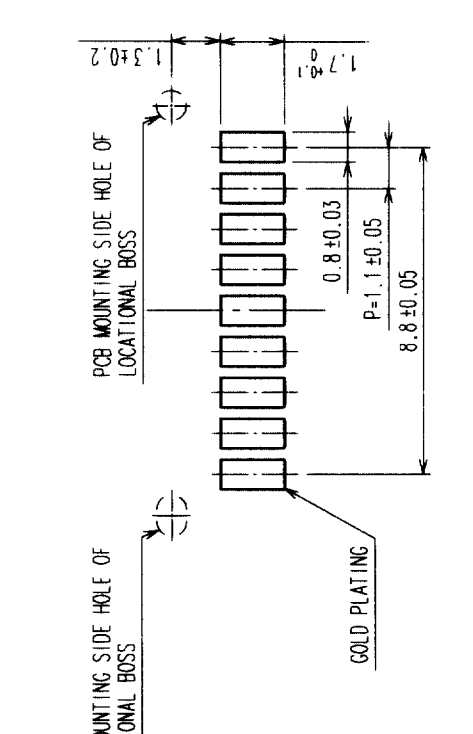


Fig.4 : RECOMMENDED PATTERN FOR MATING (5:1)



NOTES 1. LEAD COPLANARITY SHALL BE WITHIN 0.1mm
 2. THIS PRODUCT TO BE SHIPPED BY TAPE AND REEL PACKAGE.
 REFER TO NEXT SHEET FOR DETAILS OF PACKAGING SPECIFICATIONS.

NO.	PHOSPHOR BRONZE	REFER TO Fig.2	4	POLYESTER	CLEAR(COVER TAPE)
1	LCP	BLACK, UL94V-0	3	PS	CLEAR(EMBOSSED CARRIER TAPE)
NO.	MATERIAL	FINISH, REMARKS	NO.	MATERIAL	FINISH, REMARKS
CODE NO. (OLD)					
DRAWN		DESIGNED		CHECKED	
T. Yamamoto		T. Yamamoto		K. Akiyama	
'02.10. 3		'02.10. 3		'02.10. 4	
PART NO.		PART NO.		PART NO.	
EDC3-164058-01		DF26A1.7-9CP-1.1V(66)		DF26A1.7-9CP-1.1V(66)	
SCALE		SCALE		SCALE	
FREE		FREE		FREE	
UNITS		UNITS		UNITS	
mm		mm		mm	
DRAWING NO.		DRAWING NO.		DRAWING NO.	
EDC3-164058-01		DF26A1.7-9CP-1.1V(66)		DF26A1.7-9CP-1.1V(66)	
SCALE		SCALE		SCALE	
FREE		FREE		FREE	
UNITS		UNITS		UNITS	
mm		mm		mm	
DRAWING NO.		DRAWING NO.		DRAWING NO.	
EDC3-164058-01		DF26A1.7-9CP-1.1V(66)		DF26A1.7-9CP-1.1V(66)	
SCALE		SCALE		SCALE	
FREE		FREE		FREE	
UNITS		UNITS		UNITS	
mm		mm		mm	
DRAWING NO.		DRAWING NO.		DRAWING NO.	
EDC3-164058-01		DF26A1.7-9CP-1.1V(66)		DF26A1.7-9CP-1.1V(66)	
SCALE		SCALE		SCALE	
FREE		FREE		FREE	
UNITS		UNITS		UNITS	
mm		mm		mm	
DRAWING NO.		DRAWING NO.		DRAWING NO.	
EDC3-164058-01		DF26A1.7-9CP-1.1V(66)		DF26A1.7-9CP-1.1V(66)	
SCALE		SCALE		SCALE	
FREE		FREE		FREE	
UNITS		UNITS		UNITS	
mm		mm		mm	
DRAWING NO.		DRAWING NO.		DRAWING NO.	
EDC3-164058-01		DF26A1.7-9CP-1.1V(66)		DF26A1.7-9CP-1.1V(66)	
SCALE		SCALE		SCALE	
FREE		FREE		FREE	
UNITS		UNITS		UNITS	
mm		mm		mm	
DRAWING NO.		DRAWING NO.		DRAWING NO.	
EDC3-164058-01		DF26A1.7-9CP-1.1V(66)		DF26A1.7-9CP-1.1V(66)	
SCALE		SCALE		SCALE	
FREE		FREE		FREE	
UNITS		UNITS		UNITS	
mm		mm		mm	
DRAWING NO.		DRAWING NO.		DRAWING NO.	
EDC3-164058-01		DF26A1.7-9CP-1.1V(66)		DF26A1.7-9CP-1.1V(66)	
SCALE		SCALE		SCALE	
FREE		FREE		FREE	
UNITS		UNITS		UNITS	
mm		mm		mm	
DRAWING NO.		DRAWING NO.		DRAWING NO.	
EDC3-164058-01		DF26A1.7-9CP-1.1V(66)		DF26A1.7-9CP-1.1V(66)	
SCALE		SCALE		SCALE	
FREE		FREE		FREE	
UNITS		UNITS		UNITS	
mm		mm		mm	
DRAWING NO.		DRAWING NO.		DRAWING NO.	
EDC3-164058-01		DF26A1.7-9CP-1.1V(66)		DF26A1.7-9CP-1.1V(66)	
SCALE		SCALE		SCALE	
FREE		FREE		FREE	
UNITS		UNITS		UNITS	
mm		mm		mm	
DRAWING NO.		DRAWING NO.		DRAWING NO.	
EDC3-164058-01		DF26A1.7-9CP-1.1V(66)		DF26A1.7-9CP-1.1V(66)	
SCALE		SCALE		SCALE	
FREE		FREE		FREE	
UNITS		UNITS		UNITS	
mm		mm		mm	
DRAWING NO.		DRAWING NO.		DRAWING NO.	
EDC3-164058-01		DF26A1.7-9CP-1.1V(66)		DF26A1.7-9CP-1.1V(66)	
SCALE		SCALE		SCALE	
FREE		FREE		FREE	
UNITS		UNITS		UNITS	
mm		mm		mm	
DRAWING NO.		DRAWING NO.		DRAWING NO.	
EDC3-164058-01		DF26A1.7-9CP-1.1V(66)		DF26A1.7-9CP-1.1V(66)	
SCALE		SCALE		SCALE	
FREE		FREE		FREE	
UNITS		UNITS		UNITS	
mm		mm		mm	
DRAWING NO.		DRAWING NO.		DRAWING NO.	
EDC3-164058-01		DF26A1.7-9CP-1.1V(66)		DF26A1.7-9CP-1.1V(66)	
SCALE		SCALE		SCALE	
FREE		FREE		FREE	
UNITS		UNITS		UNITS	
mm		mm		mm	
DRAWING NO.		DRAWING NO.		DRAWING NO.	
EDC3-164058-01		DF26A1.7-9CP-1.1V(66)		DF26A1.7-9CP-1.1V(66)	
SCALE		SCALE		SCALE	
FREE		FREE		FREE	
UNITS		UNITS		UNITS	
mm		mm		mm	
DRAWING NO.		DRAWING NO.		DRAWING NO.	
EDC3-164058-01		DF26A1.7-9CP-1.1V(66)		DF26A1.7-9CP-1.1V(66)	
SCALE		SCALE		SCALE	
FREE		FREE		FREE	
UNITS		UNITS		UNITS	
mm		mm		mm	
DRAWING NO.		DRAWING NO.		DRAWING NO.	
EDC3-164058-01		DF26A1.7-9CP-1.1V(66)		DF26A1.7-9CP-1.1V(66)	
SCALE		SCALE		SCALE	
FREE		FREE		FREE	
UNITS		UNITS		UNITS	
mm		mm		mm	
DRAWING NO.		DRAWING NO.		DRAWING NO.	
EDC3-164058-01		DF26A1.7-9CP-1.1V(66)		DF26A1.7-9CP-1.1V(66)	
SCALE		SCALE		SCALE	
FREE		FREE		FREE	
UNITS		UNITS		UNITS	
mm		mm		mm	
DRAWING NO.		DRAWING NO.		DRAWING NO.	
EDC3-164058-01		DF26A1.7-9CP-1.1V(66)		DF26A1.7-9CP-1.1V(66)	
SCALE		SCALE		SCALE	
FREE		FREE		FREE	
UNITS		UNITS		UNITS	
mm		mm		mm	
DRAWING NO.		DRAWING NO.		DRAWING NO.	
EDC3-164058-01		DF26A1.7-9CP-1.1V(66)		DF26A1.7-9CP-1.1V(66)	
SCALE		SCALE		SCALE	
FREE		FREE		FREE	
UNITS		UNITS		UNITS	
mm		mm		mm	
DRAWING NO.		DRAWING NO.		DRAWING NO.	
EDC3-164058-01		DF26A1.7-9CP-1.1V(66)		DF26A1.7-9CP-1.1V(66)	
SCALE		SCALE		SCALE	
FREE		FREE		FREE	
UNITS		UNITS		UNITS	
mm		mm		mm	
DRAWING NO.		DRAWING NO.		DRAWING NO.	
EDC3-164058-01		DF26A1.7-9CP-1.1V(66)		DF26A1.7-9CP-1.1V(66)	
SCALE		SCALE		SCALE	
FREE		FREE		FREE	
UNITS		UNITS		UNITS	
mm		mm		mm	
DRAWING NO.		DRAWING NO.		DRAWING NO.	
EDC3-164058-01		DF26A1.7-9CP-1.1V(66)		DF26A1.7-9CP-1.1V(66)	
SCALE		SCALE		SCALE	
FREE		FREE		FREE	
UNITS		UNITS		UNITS	
mm		mm		mm	
DRAWING NO.		DRAWING NO.		DRAWING NO.	
EDC3-164058-01		DF26A1.7-9CP-1.1V(66)		DF26A1.7-9CP-1.1V(66)	
SCALE		SCALE		SCALE	
FREE		FREE		FREE	
UNITS		UNITS		UNITS	
mm		mm		mm	
DRAWING NO.		DRAWING NO.		DRAWING NO.	
EDC3-164058-01		DF26A1.7-9CP-1.1V(66)		DF26A1.7-9CP-1.1V(66)	
SCALE		SCALE		SCALE	
FREE		FREE		FREE	
UNITS		UNITS		UNITS	
mm		mm		mm	
DRAWING NO.		DRAWING NO.		DRAWING NO.	
EDC3-164058-01		DF26A1.7-9CP-1.1V(66)		DF26A1.7-9CP-1.1V(66)	
SCALE		SCALE		SCALE	
FREE		FREE		FREE	
UNITS		UNITS		UNITS	
mm		mm		mm	
DRAWING NO.		DRAWING NO.		DRAWING NO.	
EDC3-164058-01		DF26A1.7-9CP-1.1V(66)		DF26A1.7-9CP-1.1V(66)	
SCALE		SCALE		SCALE	
FREE		FREE		FREE	
UNITS		UNITS		UNITS	
mm		mm		mm	
DRAWING NO.		DRAWING NO.		DRAWING NO.	
EDC3-164058-01		DF26A1.7-9CP-1.1V(66)		DF26A1.7-9CP-1.1V(66)	
SCALE		SCALE		SCALE	
FREE		FREE		FREE	
UNITS		UNITS		UNITS	
mm		mm		mm	
DRAWING NO.		DRAWING NO.		DRAWING NO.	
EDC3-164058-01		DF26A1.7-9CP-1.1V(66)		DF26A1.7-9CP-1.1V(66)	
SCALE		SCALE		SCALE	
FREE		FREE		FREE	
UNITS		UNITS		UNITS	
mm		mm		mm	
DRAWING NO.		DRAWING NO.		DRAWING NO.	
EDC3-164058-01		DF26A1.7-9CP-1.1V(66)		DF26A1.7-9CP-1.1V(66)	
SCALE		SCALE		SCALE	
FREE		FREE		FREE	
UNITS		UNITS		UNITS	
mm		mm		mm	
DRAWING NO.		DRAWING NO.		DRAWING NO.	
EDC3-164058-01		DF26A1.7-9CP-1.1V(66)		DF26A1.7-9CP-1.1V(66)	
SCALE		SCALE		SCALE	
FREE		FREE		FREE	
UNITS		UNITS		UNITS	
mm		mm		mm	
DRAWING NO.		DRAWING NO.		DRAWING NO.	
EDC3-164058-01		DF26A1.7-9CP-1.1V(66)		DF26A1.7-9CP-1.1V(66)	
SCALE		SCALE		SCALE	
FREE		FREE		FREE	
UNITS		UNITS		UNITS	
mm		mm		mm	
DRAWING NO.		DRAWING NO.		DRAWING NO.	
EDC3-164058-01		DF26A1.7-9CP-1.1V(66)		DF26A1.7-9CP-1.1V(66)	
SCALE		SCALE		SCALE	
FREE		FREE		FREE	
UNITS		UNITS		UNITS	
mm		mm		mm	
DRAWING NO.		DRAWING NO.		DRAWING NO.	
EDC3-164058-01		DF26A1.7-9CP-1.1V(66)		DF26A1.7-9CP-1.1V(66)	
SCALE		SCALE		SCALE	
FREE		FREE		FREE	
UNITS		UNITS		UNITS	
mm		mm		mm	
DRAWING NO.		DRAWING NO.		DRAWING NO.	
EDC3-164058-01		DF26A1.7-9CP-1.1V(66)		DF26A1.7-9CP-1.1V(66)	
SCALE		SCALE		SCALE	
FREE		FREE		FREE	
UNITS		UNITS		UNITS	
mm		mm		mm	
DRAWING NO.		DRAWING NO.		DRAWING NO.	
EDC3-164058-01		DF26A1.7-9CP-1.1V(66)		DF26A1.7-9CP-1.1V(66)	
SCALE		SCALE		SCALE	
FREE		FREE		FREE	
UNITS		UNITS		UNITS	
mm		mm		mm	
DRAWING NO.		DRAWING NO.		DRAWING NO.	
EDC3-164058-01		DF26A1.7-9CP-1.1V(66)		DF26A1.7-9CP-1.1V(66)	
SCALE		SCALE		SCALE	
FREE		FREE		FREE	
UNITS		UNITS		UNITS	
mm		mm		mm	
DRAWING NO.		DRAWING NO.		DRAWING NO.	
EDC3-164058-01		DF26A1.7-9CP-1.1V(66)		DF26A1.7-9CP-1.1V(66)	
SCALE		SCALE		SCALE	
FREE		FREE		FREE	
UNITS		UNITS		UNITS	
mm		mm		mm	
DRAWING NO.		DRAWING NO.		DRAWING NO.	
EDC3-164058-01		DF26A1.7-9CP-1.1V(66)		DF26A1.7-9CP-1.1V(66)	

