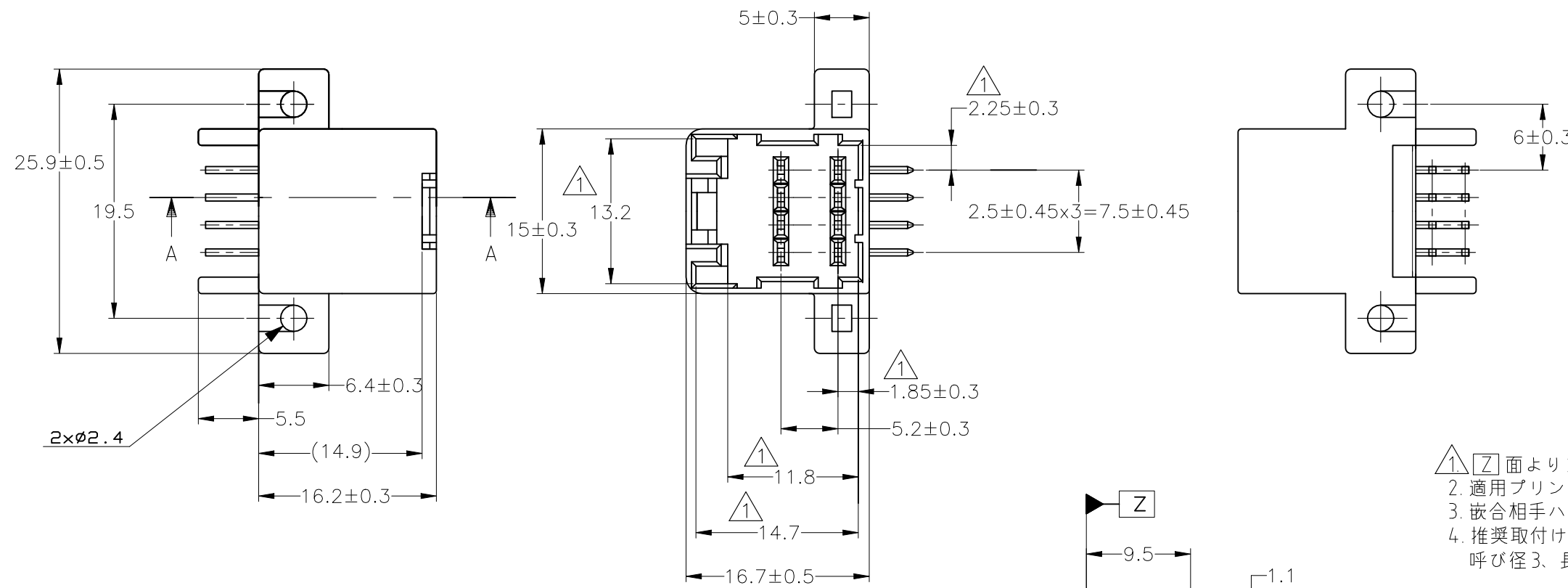
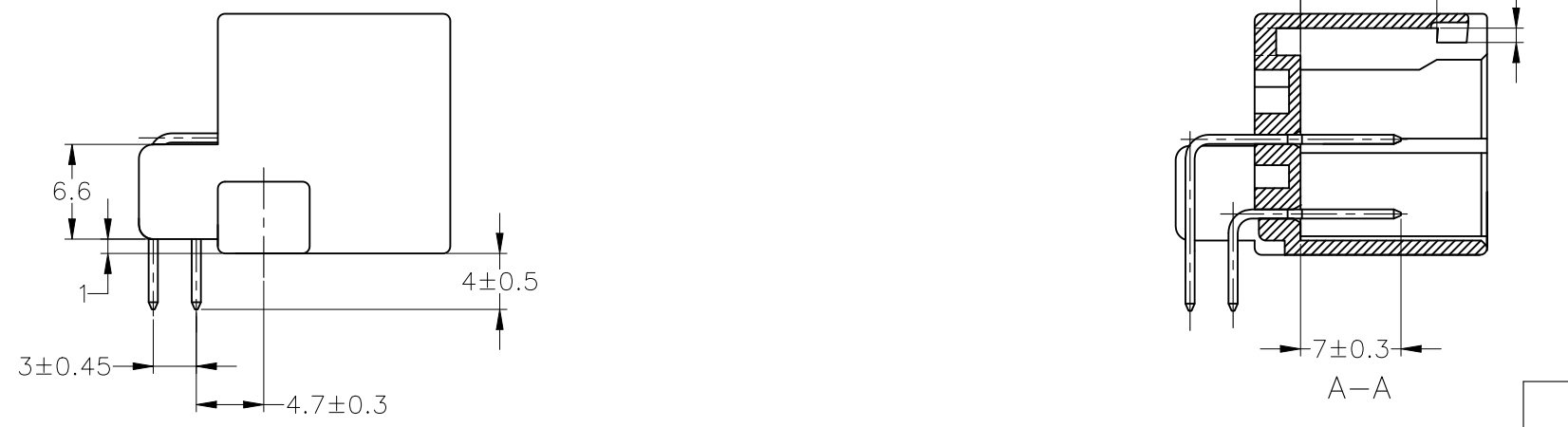


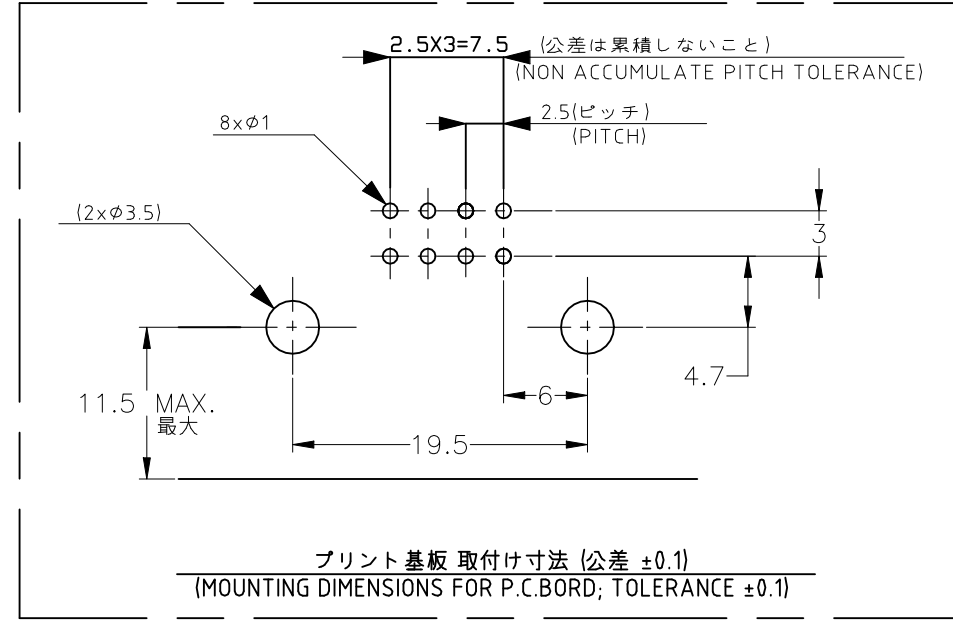
P	LTR	DESCRIPTION	DATE	DWN	APVD
E4		REVISED PER ECR-22-153250	21OCT2022	RK	MT



- ① Z面より2mmの範囲で測定。
 - 2. 適用プリント基板厚: 1.6mm
 - 3. 嵌合相手ハウジング型番: 174044
 - 4. 推奨取付けねじ: JIS B1115, B1122 タッピングねじ、なべ2種 呼び径3、長さ7mm以上(締付けトルク: 39.2N-cm以下)
- ① TO BE MEASURED WITHIN 2mm FROM Z
 2. APPLICABLE P.C BOARD THICKNESS: 1.6mm
 3. THE MATING PLUG HOUSING PART NUMBER: 174044
 4. RECOMMENDED MOUNTING SCREW: 3mm DIA, 7mm LENGTH (MIN.) PAN HEAD, CLASS 2 TAPPING SCREW SPECIFIED IN JIS B1115, B1122 (TIGHTENING TORQUE: 39.2N-cm MAX.)



SELECTIVE TIN (MATTE)	SELECTIVE GOLD x 8	1~8	BLACK 黒色	1-5174049-2
OBSOLETE	TIN-LEAD	TIN-LEAD x 8	BLACK 黒色	2-174049-2
OBSOLETE	TIN-LEAD	SELECTIVE GOLD x 8	BLACK 黒色	1-174049-2
OBSOLETE	PRE-TIN x 8	PRE-TIN x 8	BLUE 青色	174049-5
OBSOLETE	PRE-TIN x 8	PRE-TIN x 8	BLACK 黒色	174049-2
SOLDERING SIDE 半田付け部	CONTACT SIDE 接触部側	GOLD PLATED CIRCUIT NO. 金めっき回路番号		COLOR 色
CONTACT FINISH 接触部仕上		PART NUMBER 製品型番		



TOLERANCES UNLESS OTHERWISE SPECIFIED:

一般公差	
0 < x < 10:	±0.2
10 < x < 30:	±0.25
30 < x < 100:	±0.3
ANGLE:	±3°

THIS DRAWING IS A CONTROLLED DOCUMENT.

DIMENSIONS: mm	TOLERANCES UNLESS OTHERWISE SPECIFIED:
0 PLC ±-	1 PLC ±-
1 PLC ±-	2 PLC ±-
2 PLC ±-	3 PLC ±-
3 PLC ±-	4 PLC ±-
4 PLC ±-	ANGLES ±-
MATERIAL ハウジング: PBT	FINISH SEE TABLE
HOUSING	
CONTACT: BRASS	
CONTACT 黄銅	

DWN K.FURUYAMA 13APR2015			
CHK Y.MITO 13APR2015			
APVD R.KOMIYAMA 13APR2015	NAME		
PRODUCT SPEC	8 POSITION CAP HOUSING ASSMBLY .040 SERIES MULTI-LOCK I/O CONNECTOR (H-TYPE)		
APPLICATION SPEC	SIZE	CAGE CODE	DRAWING NO
WEIGHT 3.4 g	A3	00779	C-174049
CUSTOMER DRAWING	SCALE 2:1	SHEET 1 OF 1	REV E4