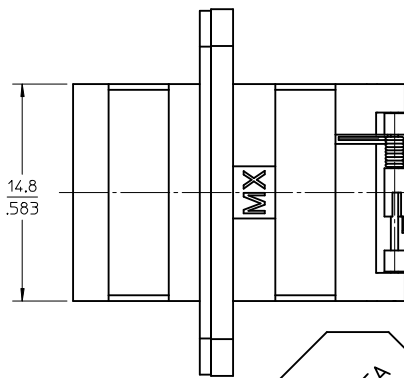
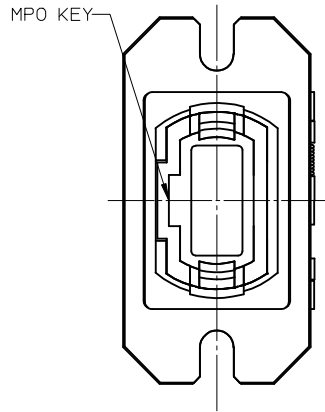
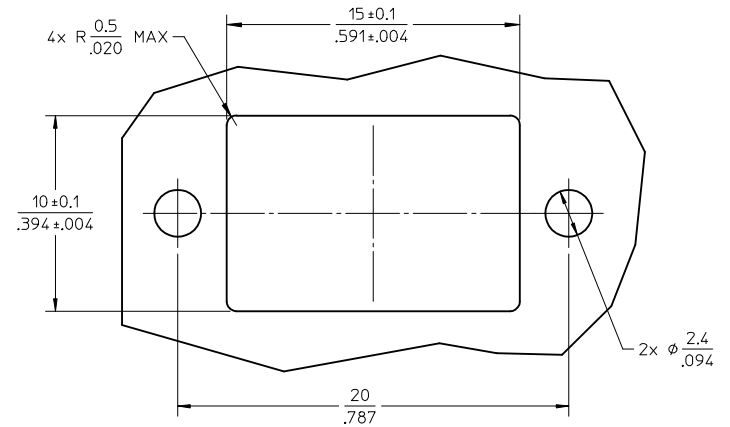
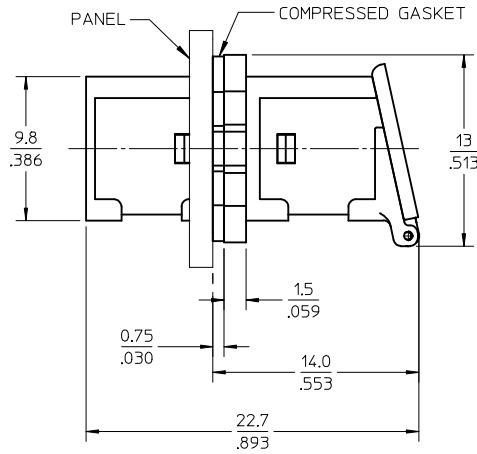
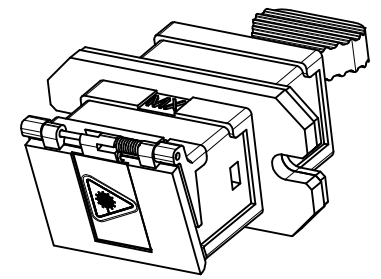
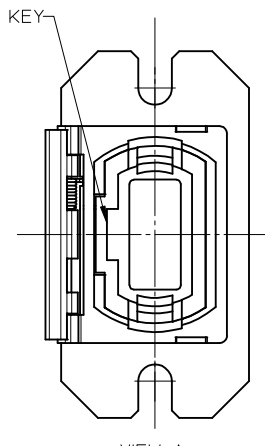
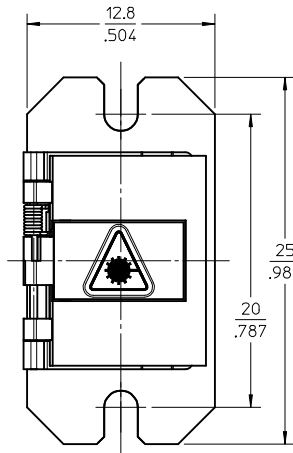


| PART NUMBER | ADAPTER DOOR COLOR |
|-------------|--------------------|
| 1061141100 | NONE |
| 1061141210 | RED |
| 1061141220 | BLUE |



A



WORK AREA PLOT

NOTES:

1. SILICONE GASKET WITH Ag/Al FILLER (SHOWN COMPRESSED) IS SUPPLIED WITH THE PART.
2. OUTER SHELL OF PART IS DIECAST.
3. DUST CAP SHOWN ONLY IN ISOMETRIC VIEW.
4. ADAPTERS TO BE PACKAGED IN TRAY.

| | |
|--------------------|-------------|
| ENTER DESCRIPTION | 2014/08/17 |
| EC NO: MF2014-0028 | |
| DRWAEEFUNG | 2014/02/18 |
| CHKD: | |
| APPR:WCHEN | |
| REV | DESCRIPTION |

| | |
|-----------------|-----|
| QUALITY SYMBOLS | ▽=0 |
| | ▽=0 |

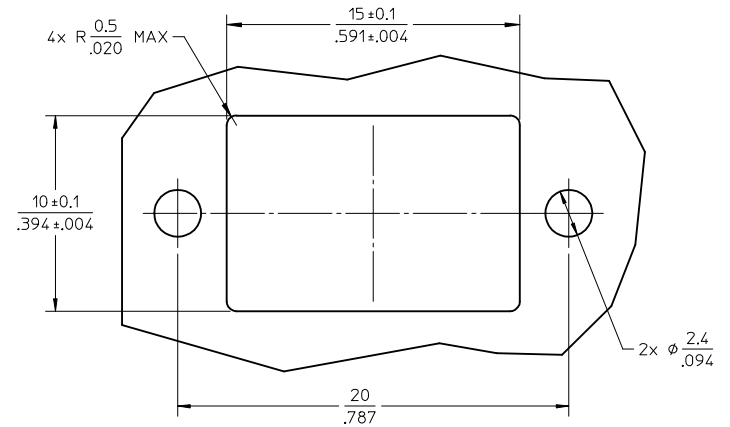
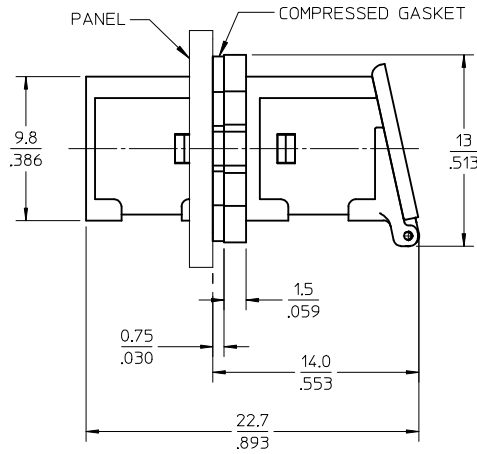
| | |
|--|--------------|
| GENERAL TOLERANCES (UNLESS SPECIFIED) | |
| | mm INCH |
| 4 PLACES | ± --- ± --- |
| 3 PLACES | ± --- ± --- |
| 2 PLACES | ± 0.10 ± --- |
| 1 PLACE | ± 0.10 ± --- |
| ANGULAR ± 1/2° | |
| DRAFT WHERE APPLICABLE MUST REMAIN WITHIN DIMENSIONS | |

| | |
|-----------------|------------|
| DIMENSION STYLE | |
| IN/MM | |
| DRAWN BY | DATE |
| PGIBLIN | 2005/11/17 |
| CHECKED BY | DATE |
| APPROVED BY | DATE |
| MATERIAL NO. | 1061141100 |

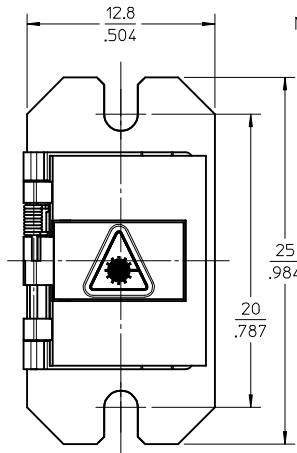
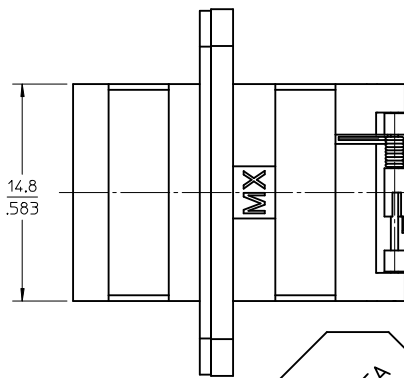
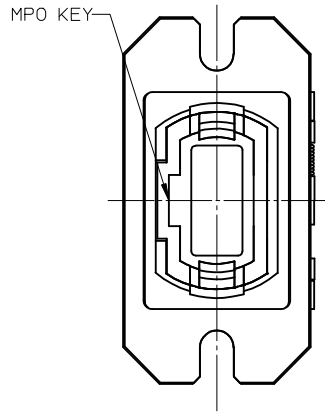
| | | | | |
|--------------------------------|----------------|--------------------|--------|------------------------|
| SCALE | 3:1 | DESIGN UNITS | INCH | THIRD ANGLE PROJECTION |
| TITLE | | | | |
| MPO EMI ADAPTER, FLANGE FLANGE | | | | |
| molex | | MOLEX INCORPORATED | | |
| DOCUMENT NO. | SD-106114-1100 | SHEET NO. | 1 OF 1 | |

THIS DRAWING CONTAINS INFORMATION THAT IS PROPRIETARY TO MOLEX INCORPORATED AND SHOULD NOT BE USED WITHOUT WRITTEN PERMISSION

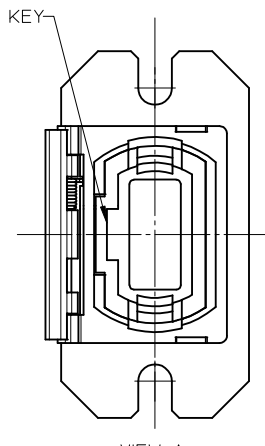
| PART NUMBER | ADAPTER DOOR COLOR |
|-------------|--------------------|
| 1061141100 | NONE |
| 1061141210 | RED |
| 1061141220 | BLUE |



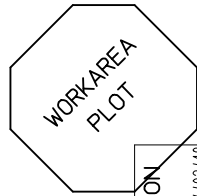
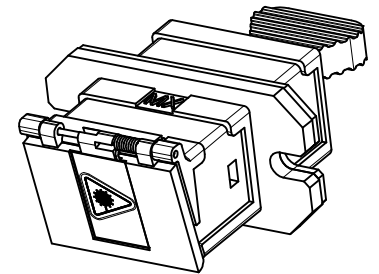
RECOMMENDED MOUNTING PATTERN



VIEW A



VIEW A
(SHOWN WITH DOOR OPENED)



NOTES:

- SILICONE GASKET WITH Ag/Al FILLER (SHOWN COMPRESSED) IS SUPPLIED WITH THE PART.
- OUTER SHELL OF PART IS DIECAST.
- DUST CAP SHOWN ONLY IN ISOMETRIC VIEW.
- ADAPTERS TO BE PACKAGED IN TRAY.

| | |
|--------------------|-------------|
| ENTER DESCRIPTION | 2014/08/17 |
| EC NO: MF2014-0028 | |
| DRWAEEFUNG | 2014/02/18 |
| CHKD: | |
| APPR:WCHEN | |
| REV | DESCRIPTION |

| | |
|-----------------|-----|
| QUALITY SYMBOLS | ▽=0 |
| | ▽=0 |

| | |
|--|--------------|
| GENERAL TOLERANCES (UNLESS SPECIFIED) | |
| | mm INCH |
| 4 PLACES | ± --- ± --- |
| 3 PLACES | ± --- ± --- |
| 2 PLACES | ± 0.10 ± --- |
| 1 PLACE | ± 0.10 ± --- |
| ANGULAR ± 1/2° | |
| DRAFT WHERE APPLICABLE MUST REMAIN WITHIN DIMENSIONS | |

| | |
|-----------------|------------|
| DIMENSION STYLE | |
| IN/MM | |
| DRAWN BY | DATE |
| PGIBLIN | 2005/11/17 |
| CHECKED BY | DATE |
| APPROVED BY | DATE |

| | | |
|---|----------------|------------------------|
| SCALE | DESIGN UNITS | THIRD ANGLE PROJECTION |
| 3:1 | INCH | |
| TITLE | | |
| MPO EMI ADAPTER, FLANGE FLANGE | | |
| molex MOLEX INCORPORATED | | |
| MATERIAL NO. | DOCUMENT NO. | SHEET NO. |
| 1061141100 | SD-106114-1100 | 1 OF 1 |
| THIS DRAWING CONTAINS INFORMATION THAT IS PROPRIETARY TO MOLEX INCORPORATED AND SHOULD NOT BE USED WITHOUT WRITTEN PERMISSION | | |