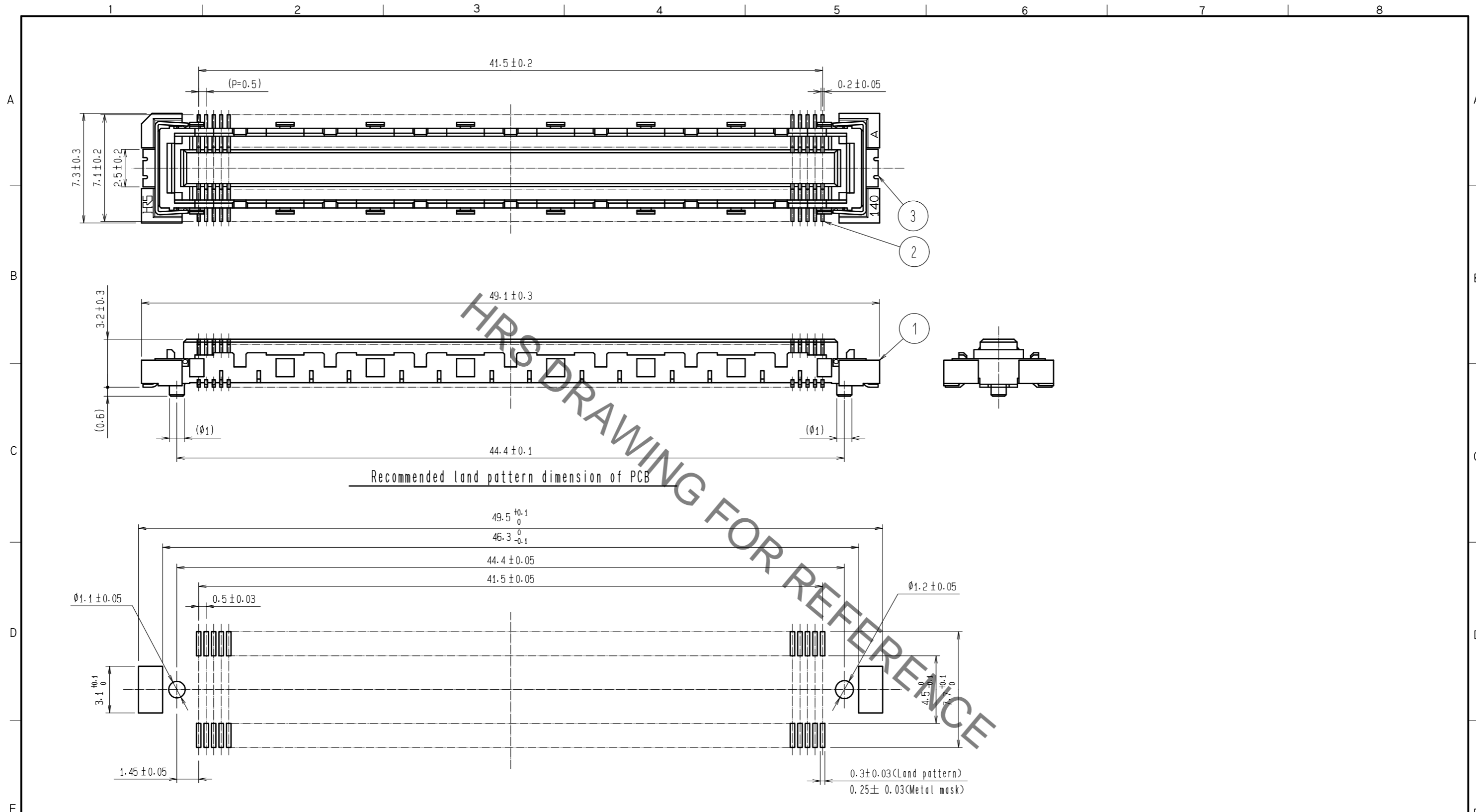


May.1.2023 Copyright 2023 HIROSE ELECTRIC CO., LTD. All Rights Reserved.  
 In case of consideration for using Automotive equipment / device which demand high reliability, kindly contact our sales window correspondents.

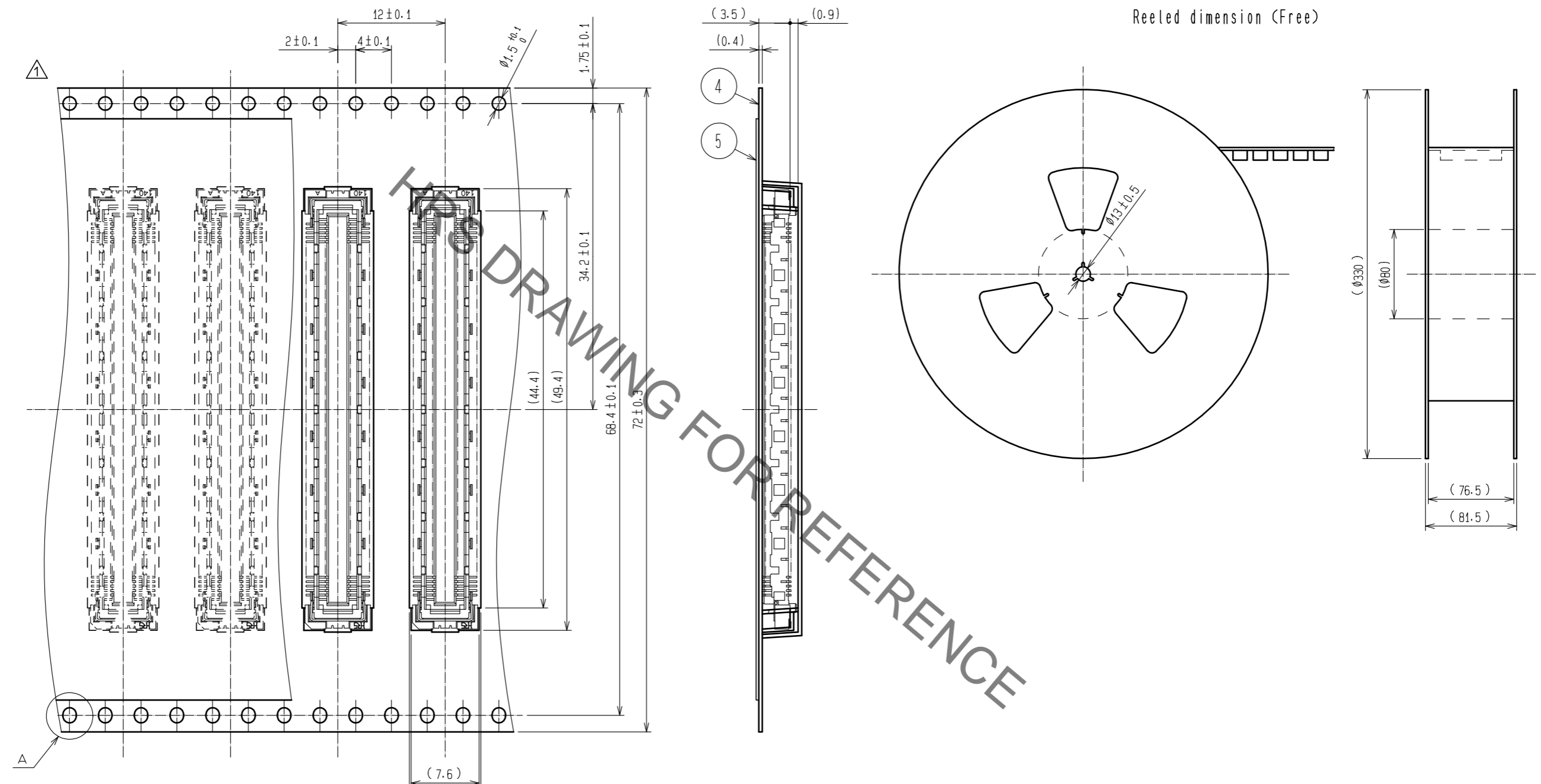


- Notes
- 1 SMT lead - coplanarity : 0.1 max.
  - 2 This product has no polarity to pattern for mounting.
  - 3 Emboss carrier tape package is applied on this product. Please refer to the sheet 2/2 for the details.

2	Phosphor blonze	Contact area : Gold 0.1 $\mu$ m min Lead : Gold 0.05 $\mu$ m min Under plating : Nickel 1 $\mu$ m min	5	Polyester	(Top cover tape)
1	LCP	Beige UL94V-0	4	Polyethylene	(Emboss carrier tape)
			3	Phosphor blonze	Tin - plating
NO.	MATERIAL	FINISH . REMARKS	NO.	MATERIAL	FINISH . REMARKS
UNITS		SCALE	COUNT	DESCRIPTION OF REVISIONS	
mm		4 1	1	DIS-F-00011032	
DESIGNED		CHECKED		DATE	
MT. ITANO		HT. YAMAGUCHI		20211007	
APPROVED : KJ. KATAYOSE		20050105		DRAWING NO. EDC3-151987-01	
CHECKED : HS. OKAWA		20050105		PART NO. FX10A-168S-SV(21)	
DESIGNED : KT. DOI		20050105		CODE NO. CL0570-0244-7-21	
DRAWN : KT. DOI		20050105		1/2	

May.1.2023 Copyright 2023 HIROSE ELECTRIC CO., LTD. All Rights Reserved.  
 In case of consideration for using Automotive equipment / device which demand high reliability, kindly contact our sales window correspondents.

# Drawing for packing (2:1)



The direction of pulling out

- Notes
- 4 1 reel : 1,000 connectors.
  - 5 Minimum 10 compartments from both reel ends remain empty.
  - 6 This product has no polarity to tape and reel packaging.
  - 7 The dimensions in parentheses are for reference.

<b>HRS</b>	DRAWING NO.	EDC3-151987-01
	PART NO.	FX10A-168S-SV(21)
	CODE NO.	CL0570-0244-7-21
		2/2