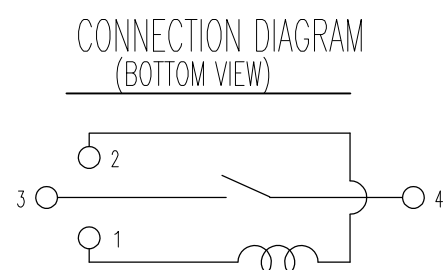
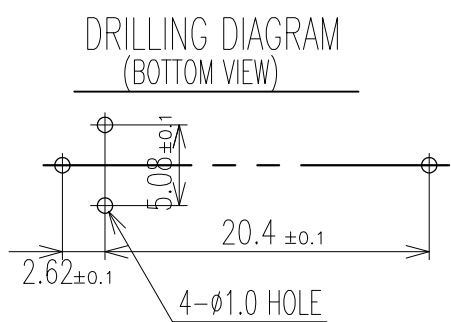
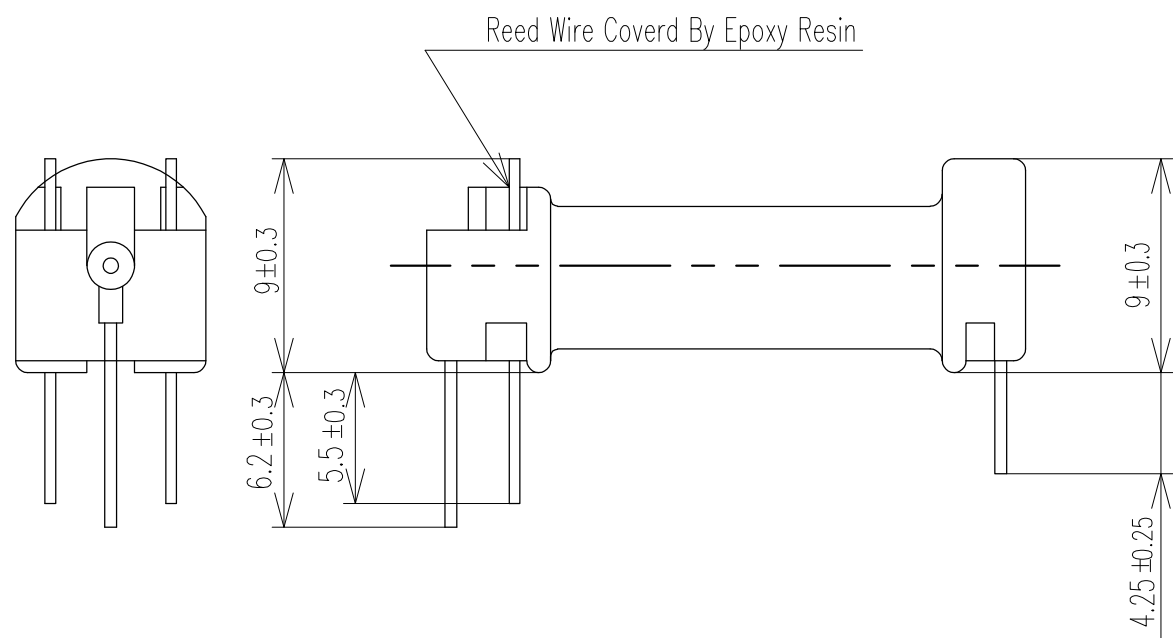


| P | LTR | DESCRIPTION | DATE | DWN | APVD |
|----|-----|---------------------------|---------|-----|------|
| G1 | | REVISED PER ECO-11-005140 | 29MAR11 | RK | HMR |

| DIMENTION TOLERANCE | |
|---------------------|-------|
| Max. 1mm | ± 0.1 |
| 1mm~Max.3mm | ± 0.2 |
| Min. 3mm | ± 0.3 |

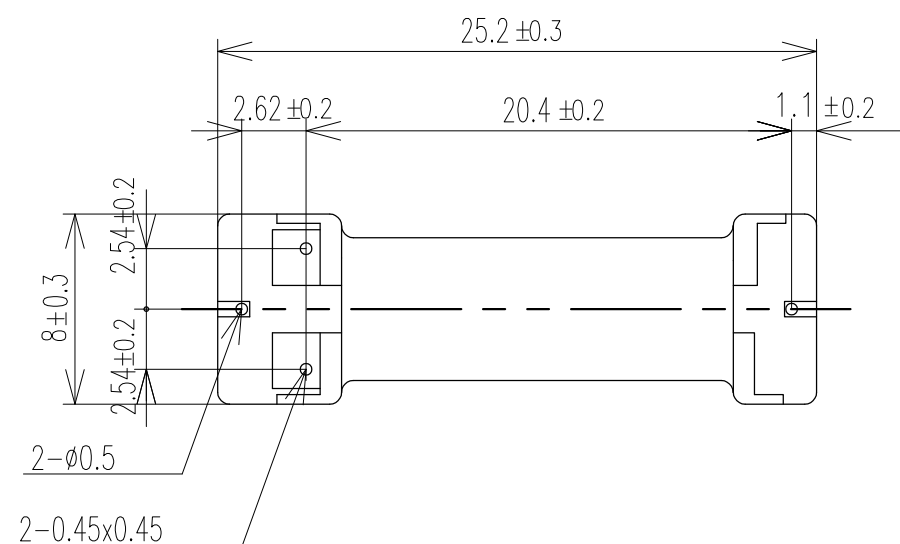


1,2:COIL TERMINAL
3,4:REED TERMINAL

| | | | | |
|---|---------------------------|-------------|-------------|------|
| Ⓕ | OBSOLETE | 1-1440000-6 | OMR-124H | l |
| Ⓖ | OBSOLETE | 2-1419145-9 | OMR-124F | k |
| | SUPERSEDED BY 2-1440000-6 | 1-1440000-5 | OMR-112H | j |
| | OBSOLETE | 1-1440000-2 | OMR-109H | i |
| | SUPERSEDED BY 1649778-1 | 1-1440000-1 | OMR-108H | h |
| | SUPERSEDED BY 1-1461074-4 | 1440000-9 | OMR-106H | g |
| | SUPERSEDED BY 2-1440000-2 | 1440000-8 | OMR-105H | f |
| | OBSOLETE | 2-1419131-6 | OMR-112F | e |
| | OBSOLETE | 2-1419145-8 | OMR-109F | d |
| | OBSOLETE | 2-1419131-0 | OMR-108F | c |
| | SUPERSEDED BY 1649777-1 | 1-1419131-4 | OMR-105F | b |
| | OBSOLETE | 1-1419131-3 | OMR-103H | a |
| | PART STATUS | PART NO | DESCRIPTION | TYPE |

Ⓔ

RELAY TYPE



| | | | | |
|------------------|------------|-------------|---------------|------|
| | | EPOXY RESIN | RESIN | 6 |
| | | 10VA TYPE | REED SWITCH | 5 |
| | | POLYESTER | TAPE | 4 |
| | SOLDER DIP | HCP WIRE | COIL TERMINAL | 3 |
| | | 3UEW | COIL WIRE | 2 |
| UL 94V-0 | | PBT | BOBBIN | 1 |
| INCOMBUSTIBILITY | TREATMENT | MATERIAL | DESCRIPTION | ITEM |

| | | | | | | |
|--------------------------------|---|------------------|----------|---------------|------------------|----------|
| DIMENSIONS: mm | TOLERANCES UNLESS OTHERWISE SPECIFIED: 0 PLC ± 1 PLC ± 2 PLC ± 3 PLC ± 4 PLC ± ANGLES ± | DWN | H.SASAKI | | | |
| | | CHK | Y.OIKAWA | | | |
| MATERIAL SEE MATERIAL TABLE | FINISH | APVD | A.NAGAI | | NAME | OMR-1P-H |
| | | PRODUCT SPEC | | | APPLICATION SPEC | |
| | | WEIGHT | | SIZE | A3 | |
| | | CUSTOMER DRAWING | | CAGE CODE | 00779 | |
| | | | | DRAWING NO | C- 1-1419131-3 | |
| | | | | RESTRICTED TO | | |
| | | | | SCALE | 3:1 | |
| | | | | SHEET | 1 OF 1 | |
| | | | | REV | G1 | |