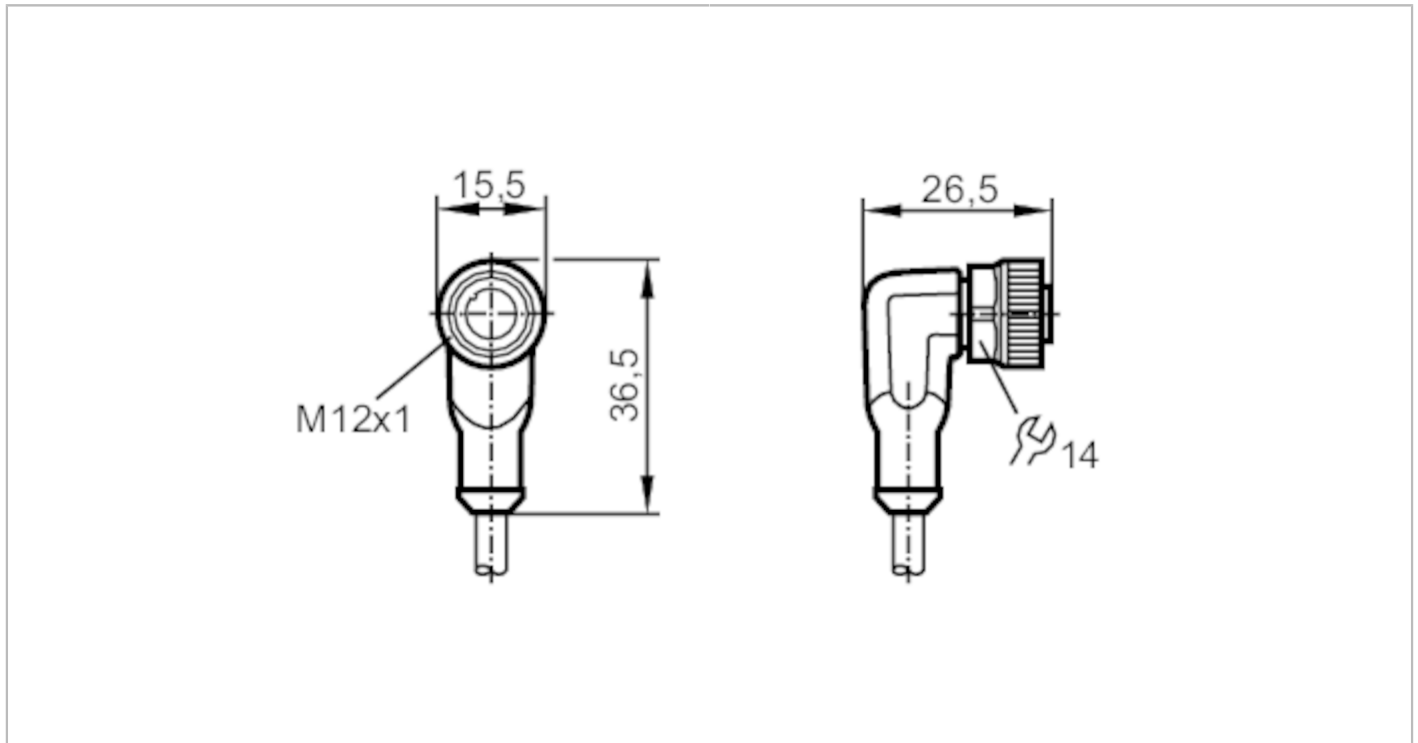


EVC541



Connecting cable with socket

ADOAH040MSS0002K04



| Application | |
|--------------------------------------|--|
| Special feature | Free from silicone; Halogen-free; Gold-plated contacts; Screened cable; Drag chain suitability |
| Free from silicone | yes |
| Electrical data | |
| Operating voltage [V] | < 50 AC / < 60 DC |
| Protection class | III |
| Max. current load total [A] | 4 |
| Operating conditions | |
| Ambient temperature [°C] | -25...90 |
| Note on ambient temperature | cULus: ...75 °C |
| Ambient temperature (moving) [°C] | -25...90 |
| Note on ambient temperature (moving) | cULus: ...75 °C |
| Protection | IP 65; IP 67 |
| Mechanical data | |
| Weight [g] | 99.6 |
| Dimensions [mm] | 26.5 x 15.5 x 36.5 |
| Materials | housing: TPU orange; Sealing: FKM |
| Material nut | brass, nickel-plated |
| Drag chain suitability | yes |

EVC541



Connecting cable with socket

ADOAH040MSS0002K04

| | | |
|------------------------|---------------------------------|--|
| Drag chain suitability | bending radius for flexible use | min. 10 x cable diameter |
| | travel speed | max. 3.3 m/s for a horizontal travel length of 5 m and max. acceleration of 5 m/s ² |
| | bending cycles | ≥ 2 Mio. |
| | torsional strain | ± 180 °/m |

Remarks

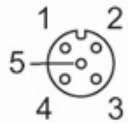
| | |
|---------------|--------|
| Pack quantity | 1 pcs. |
|---------------|--------|

Electrical connection

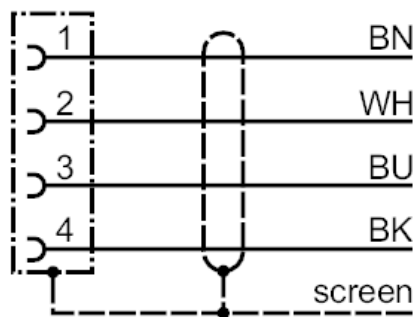
Cable: 2 m, PUR, Halogen-free, black, Ø 4.9 mm, shielded; 4 x 0.34 mm² (42 x Ø 0.1 mm)

Electrical connection - socket

Connector: 1 x M12, angled; coding: A; Locking: brass, nickel-plated; Contacts: gold-plated; Tightening torque: 0.6...1.5 Nm; Shielded connection cable: screen connected



Connection



Core colours :
 BK = black
 BN = brown
 BU = blue
 WH = white

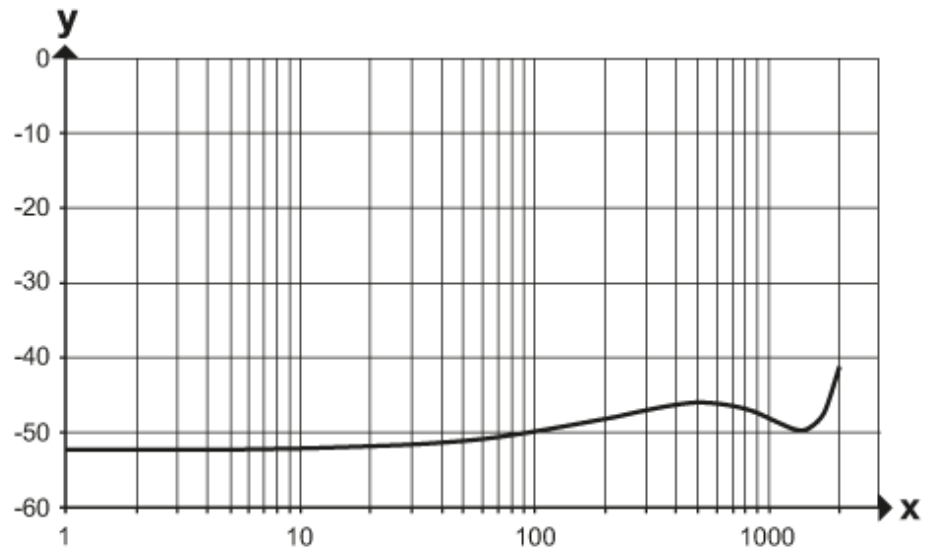


Connecting cable with socket

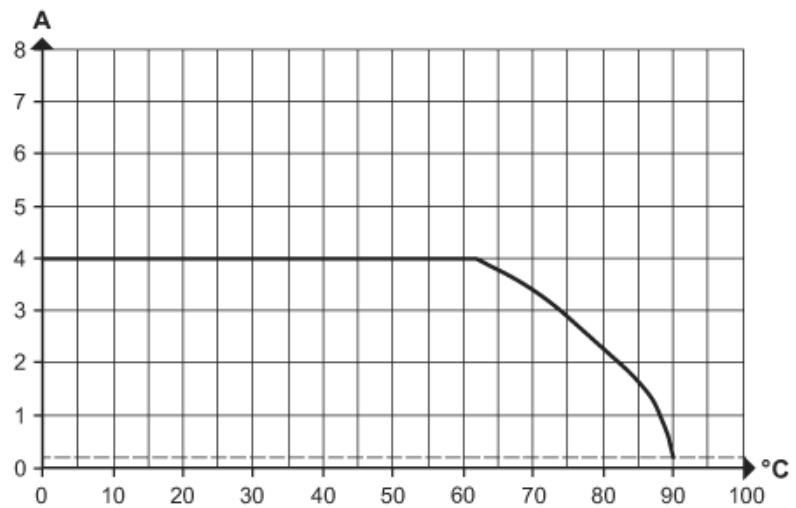
ADOAH040MSS0002K04

Diagrams and graphs

Shielding characteristics



x frequency (MHz)
 y Shielding characteristics (dB)
 according to DIN EN 60512-23-3



Derating $I_{max} * 0.8$ DIN EN 60512-5-2
 X Ambient temperature [°C]
 Y Current [A]