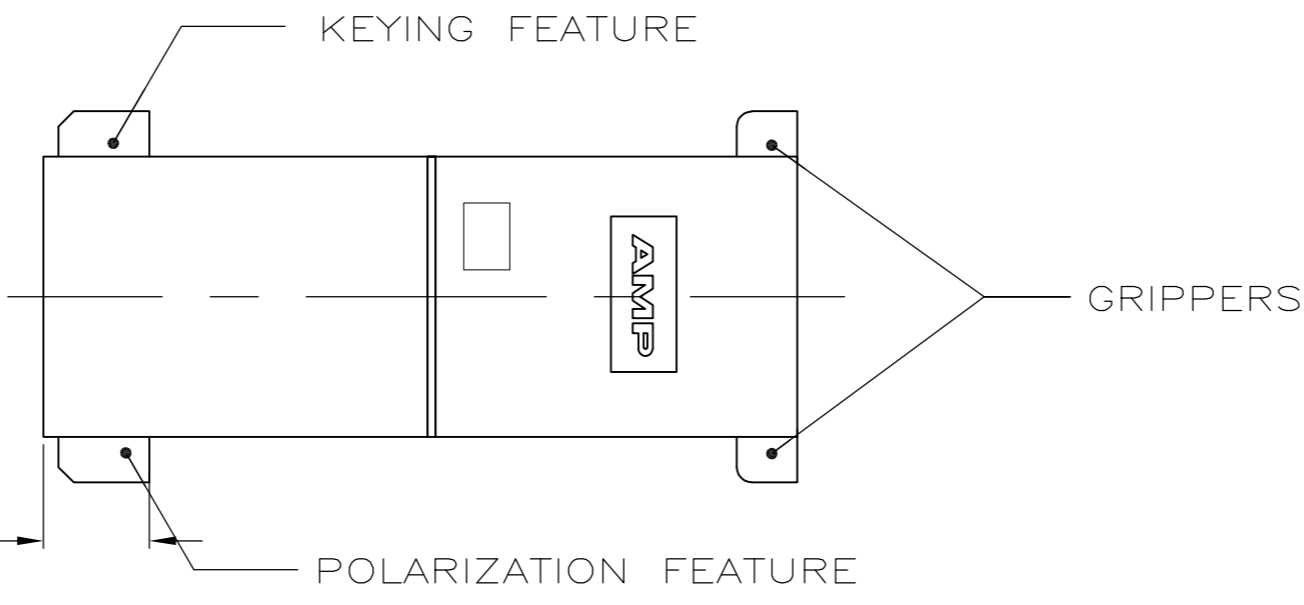
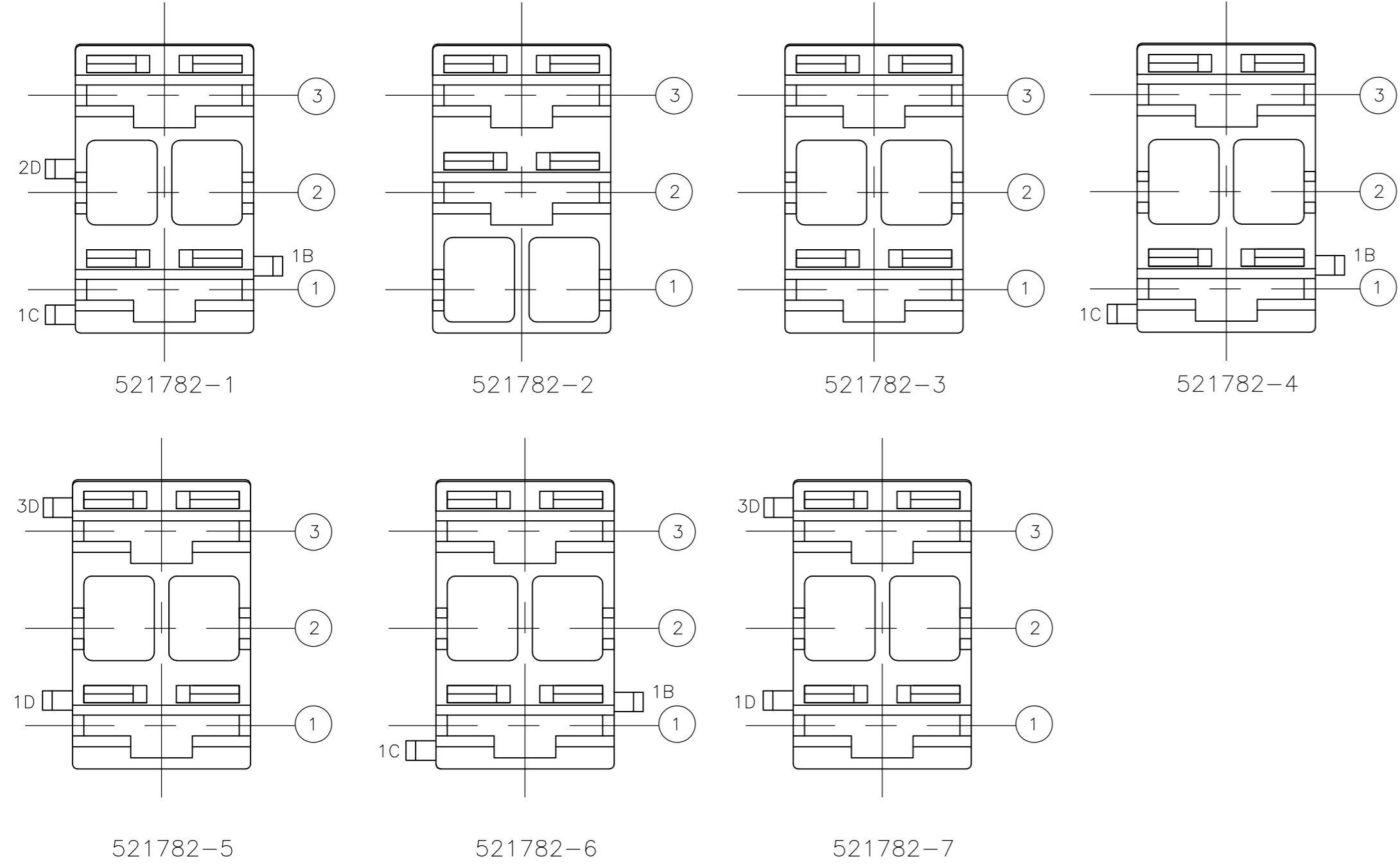
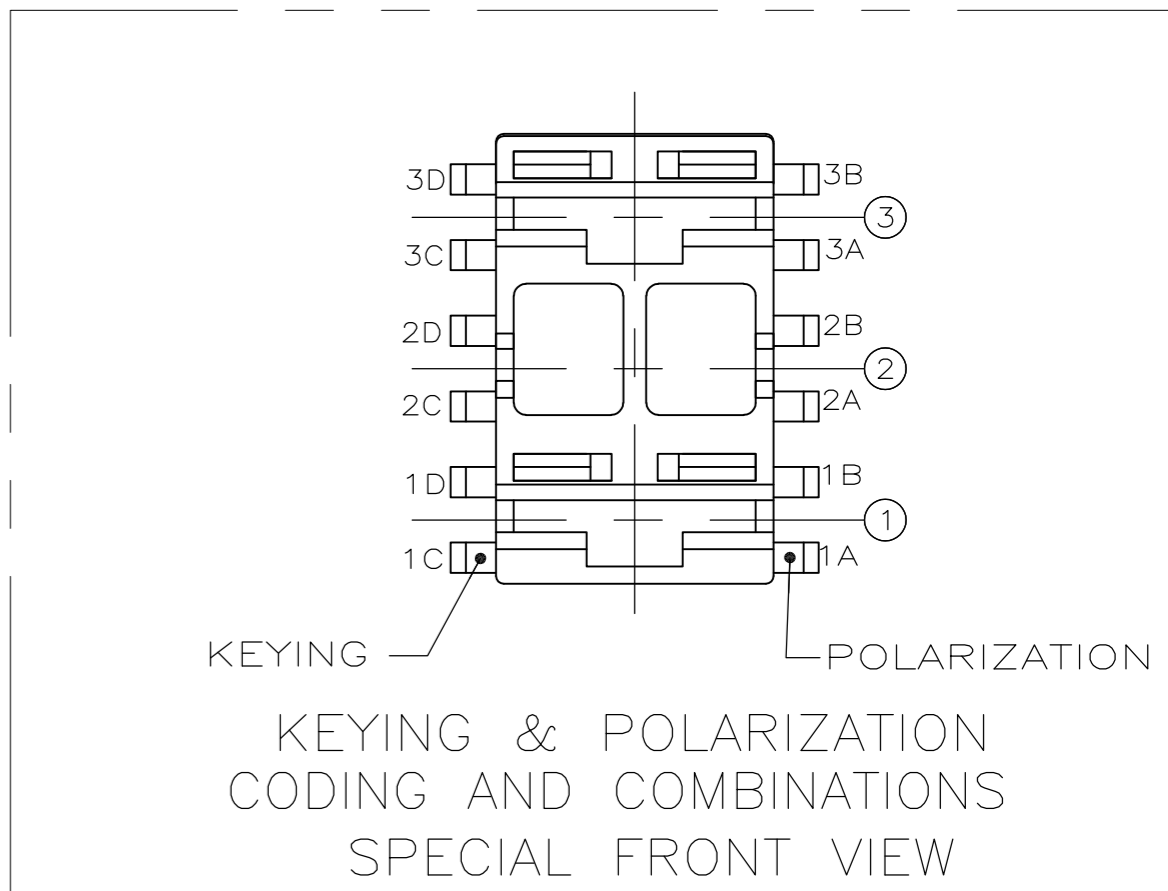
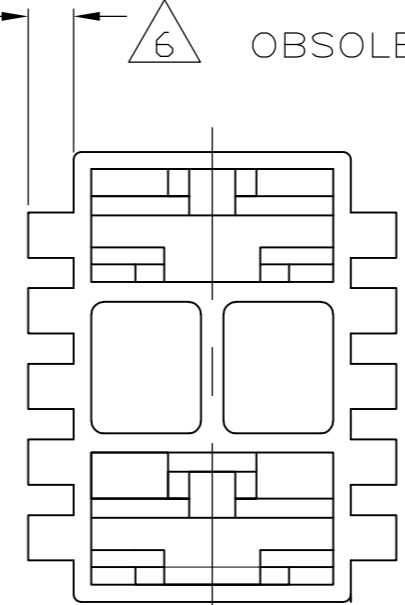
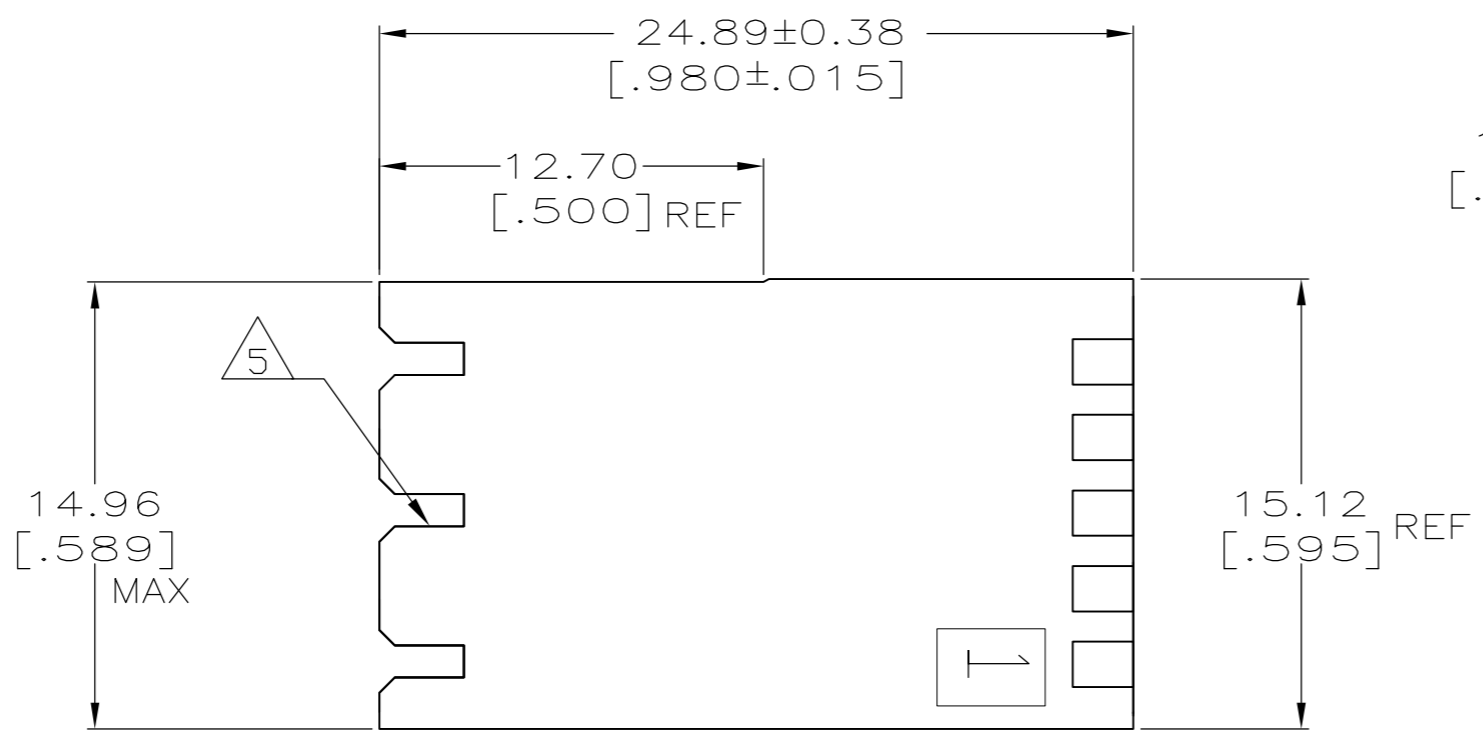
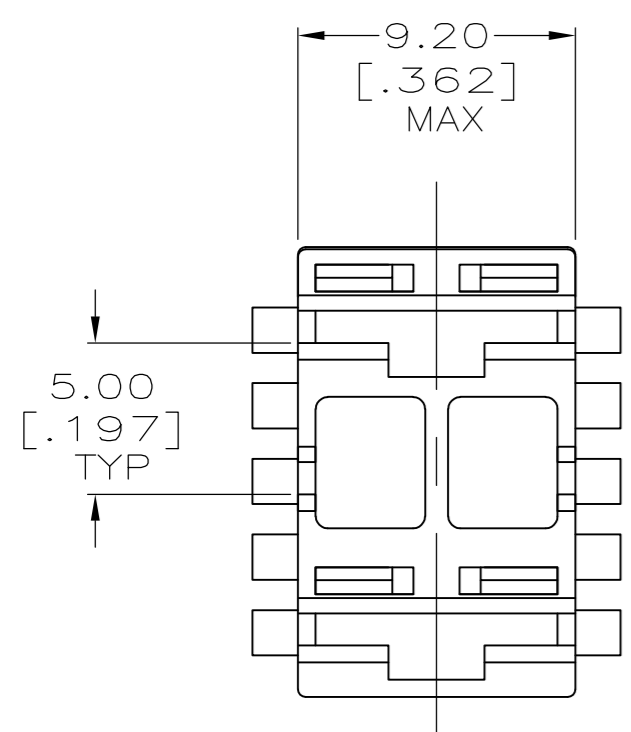


THIS DRAWING IS UNPUBLISHED. RELEASED FOR PUBLICATION
 © COPYRIGHT - By - ALL RIGHTS RESERVED.

LOC		DIST		REVISIONS					
AF		50		P	LTR	DESCRIPTION	DATE	DWN	APVD
				C		REVISED PER ECR-18-002219	28FEB2018	BDA	MD



- ACCEPTS RECEPTACLE CONTACTS 1217378(#18-#22 AWG SINGLE WIRE), 1217094(#18-#14 AWG SINGLE WIRE) AND 1217095 (TWO #18'S OR TWO #16'S OR A #16 + #18 COMBINATION).
- FRONT AND BACK VIEWS SHOW ONLY THE GRIPPERS. FOR KEYING AND POLARIZATION FEATURES, SEE SPECIAL FRONT VIEW.
- PART NUMBER 521782-1 SHOWN
- PRELIMINARY - NOT FOR PRODUCTION
- TAB SHOULDER SLOT IS OPTIONAL, ON BOTH SIDES, FOR THE DUMMY CIRCUIT ONLY.



---	2	NATURAL	1D, 3D	NONE	6	521782-7
---	2	BLUE	1C	1B	6	521782-6
---	2	NATURAL	1D, 3D	NONE	4	521782-5
---	2	BLUE	1C	1B	4	521782-4
---	2	BLACK	NONE	NONE	4	521782-3
---	1	BLUE	NONE	NONE	4	521782-2
03-A	2	BLUE	1C, 2D	1B	4	521782-1
RAST5 DESIGNATION	BLOCKED CIRCUIT	FINISH/COLOR	KEYING	POLARIZATION FEATURES	PART NO.	

THIS DRAWING IS A CONTROLLED DOCUMENT.

DIMENSIONS: mm [INCHES]

TOLERANCES UNLESS OTHERWISE SPECIFIED:

0 PLC	± -
1 PLC	± -
2 PLC	± 0.25 [.010]
3 PLC	± -
4 PLC	± -
ANGLES	± -
FINISH	SEE TABLE

MATERIAL: NYLON

TE Connectivity

HOUSING, RECEPT, POSITIVE-LOCK, MKIII, 6.35 [.250] SERIES, 3 POSITION

SCALE: 4:1 SHEET: 1 OF 1 REV: C