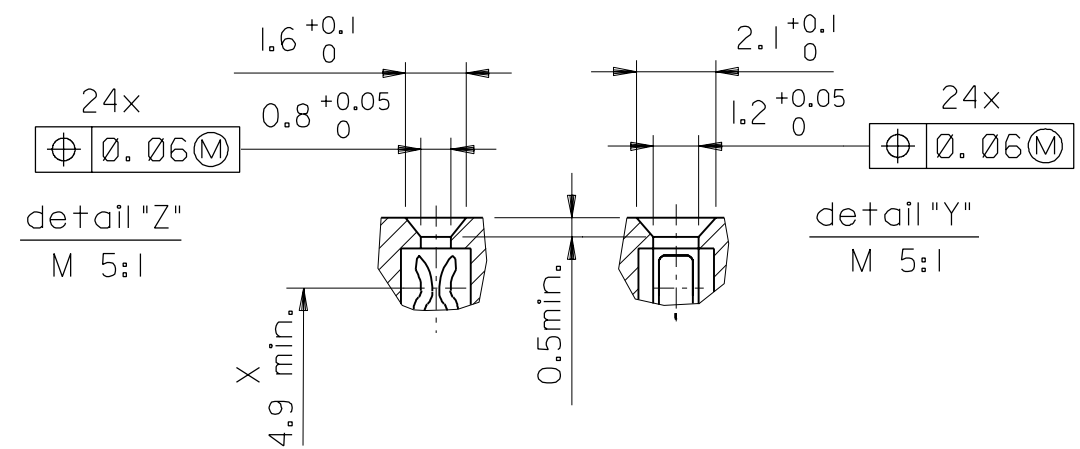


l) tails to fit in PC-board layout
PCB layout see SDA-85054-0001 sheet 2



FIRST ANGLE PROJECTION		REVISE ONLY ON CAD SYSTEM		SH.	REV.
UNLESS OTHERWISE SPECIFIED TOLERANCES: ANGULAR ±2°	DRWG BY	CAD/CAM PROJECT NAME			
INCH	KN	85056000			
METRIC	CHK'D BY	s41			
3 PLACE ±	Ca	TITLE			
2 PLACE ±	APP'D BY	24 pol. Federleiste			
1 PLACE ±	JB	24 pos. female connector			
DRAFT WHERE APPLICABLE MUST REMAIN WITHIN DIMENSIONS	SCALE	DIN 41612, style M inverted			
DESIGN DIMENSION <input checked="" type="checkbox"/> MM	2:1	MOLEX EUROPE		SHEET NO.	DATE
EQUIVALENT DIMENSION <input type="checkbox"/> MM		1 OF 1		10	97/04/23
<input type="checkbox"/> IN.		PART NO.		DWG NO.	SIZE
IF TWO DIMENSIONS ARE SHOWN THE UPPER IS THE DESIGN DIMENSION, LOWER IS SECONDARY		SD-85056-0004			B

