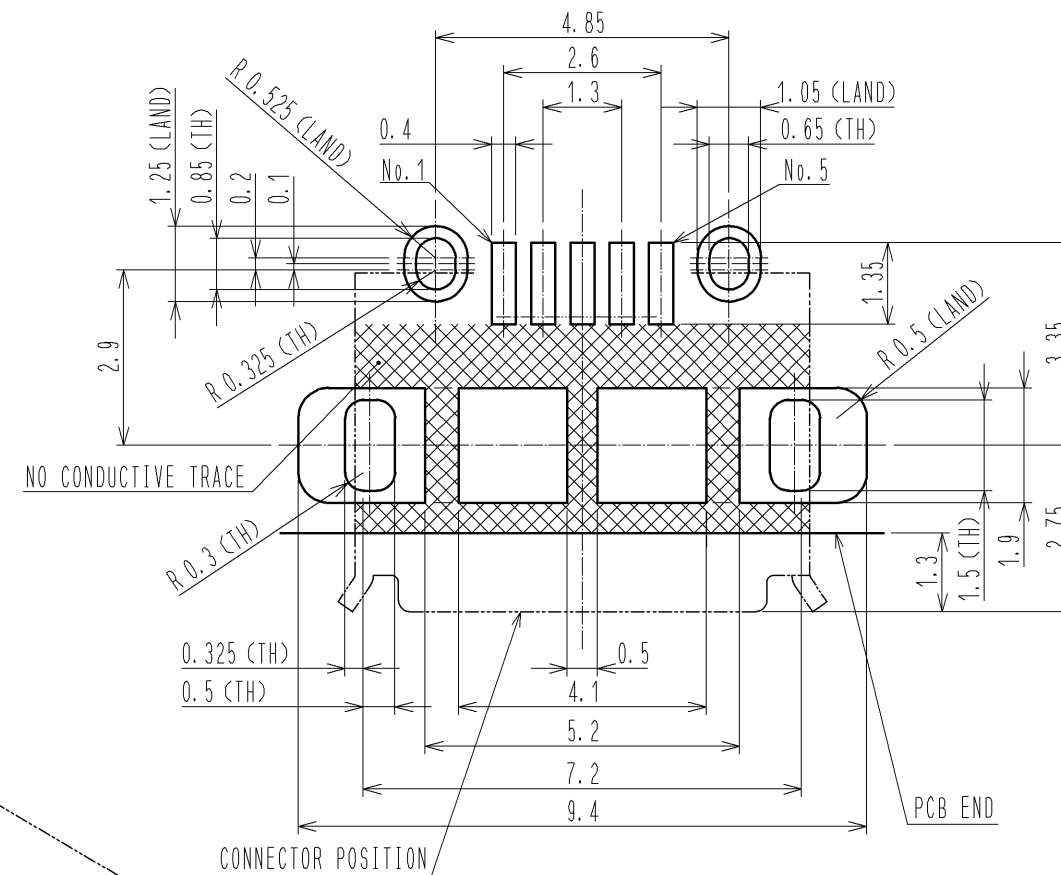


NOTES.

- ① CO-PLANARITY IS WITHIN 0.08mm MAX.
- ② PLATING
CONTACT AREA :GOLD 0.05μm MIN OVER PALLADIUM NICKEL 0.75μm MIN.
LEAD AREA :GOLD 0.05μm MIN.
UNDER PLATING:NICKEL 2μm MIN.
- ③ PER REEL : 3000 pcs.
- ④ INTERFACE DIMENSIONS TO USB2.0 SPECIFICATION.
- ⑤ AS FOR PART No.3, THE PERFORMANCE REMAINS GOOD EVEN IF THERE IS A RUBBING WOUND BY THE ASSEMBLY PROCESS.
- ⑥ AS FOR PART No.3, THERE IS NO PROBLEM ON THE QUALITY THOUGH THERE MIGHT BE A DIFFERENCE IN THE COLOR DEPENDING ON THE PLATING PROCESSING LOT.
- ⑦ CODE CONFIGURATION IS SHOWN IN FIG.1.

PCB BOARD PATTERN FOR REFERENCE(FREE)



GENERAL TOLERANCE IS ±0.05mm

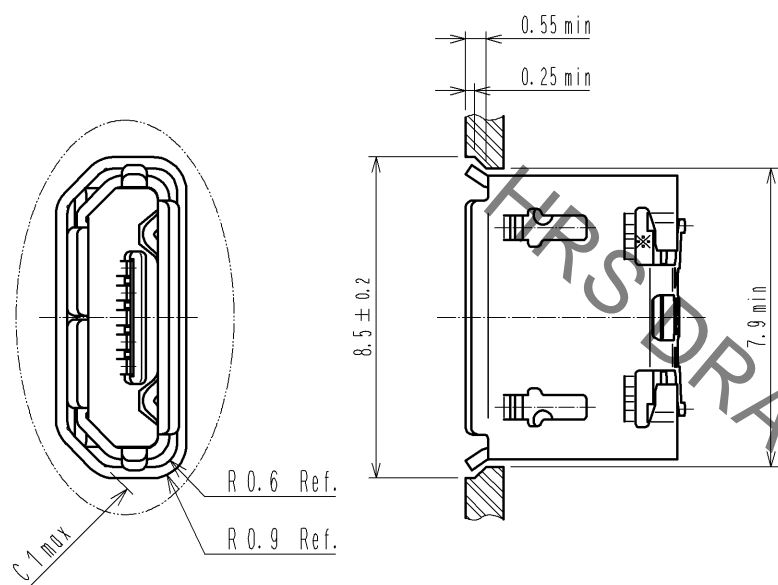
⑦ FIG.1. CODE CONFIGURATION FOR 4 DIGITS

Year	Symbol	Month	Symbol	Day	Symbol	Day	Symbol	Day	Symbol	Line No.	Symbol
2011	1	Jan.	A	1	1	11	B	21	M	1	A
2012	2	Feb.	B	2	2	12	C	22	N	2	B
2013	3	Mar.	C	3	3	13	D	23	P	3	C
2014	4	Apr.	D	4	4	14	E	24	Q	4	D
2015	5	May.	E	5	5	15	F	25	R	5	E
2016	6	Jun.	F	6	6	16	G	26	S	6	F
2017	7	Jul.	G	7	7	17	H	27	T	7	G
2018	8	Aug.	H	8	8	18	J	28	U	8	H
2019	9	Sep.	I	9	9	19	K	29	V	9	I
2020	0	Oct.	J	10	A	20	L	30	W	10	J
		Nov.	K								
		Dec.	L								
								31	X		

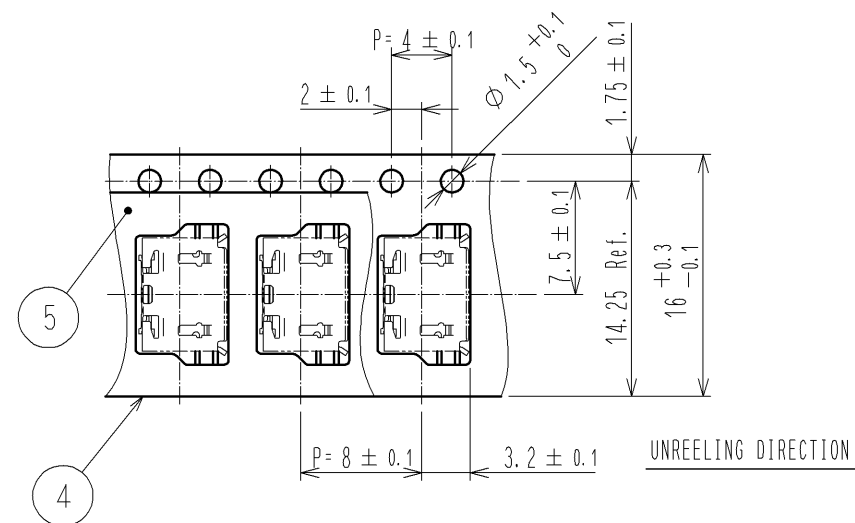
2	BRASS	②											
1	LCP		BLACK	UL94V-0									
NO.	MATERIAL	FINISH . REMARKS		NO.	MATERIAL	FINISH . REMARKS							
UNITS	mm	①	SCALE	5 : 1	△	COUNT	DESCRIPTION OF REVISIONS		DESIGNED	CHECKED	DATE		
APPROVED : NM. NISHIMATSU		12.08.10		DRAWING NO.		EDC3-127464-00							
CHECKED : NM. NISHIMATSU		12.08.10		PART NO.		ZX62D-B-5PA5							
DESIGNED : KO. KAWAMURA		12.08.10		CODE NO.		CL242-0066-7-00							
DRAWN : KO. KAWAMURA		12.08.10		①									

Apr.1.2023 Copyright 2023 HIROSE ELECTRIC CO., LTD. All Rights Reserved.
 In case of consideration for using Automotive equipment / device which demand high reliability, kindly contact our sales window correspondents.

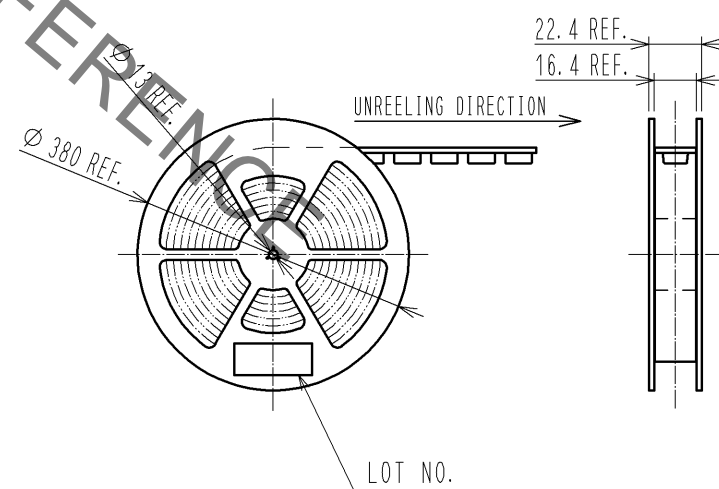
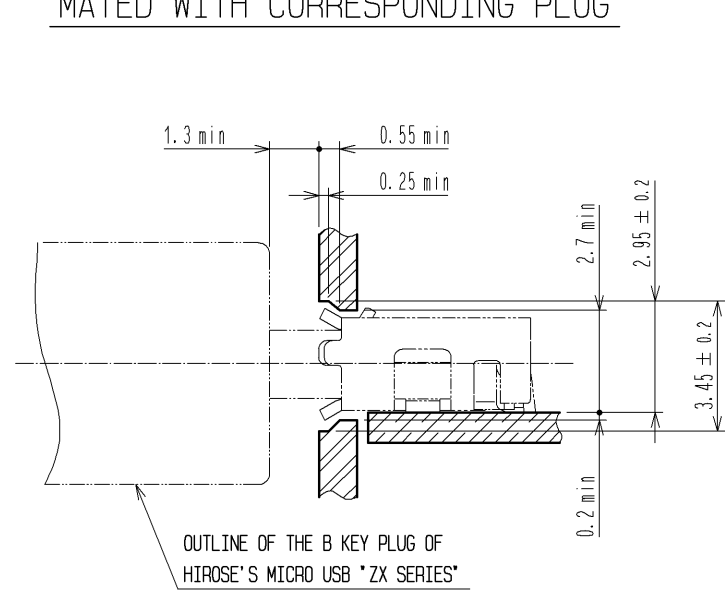
PANEL CUTOUT FOR REFERENCE



3 DRAWING FOR PACKING(FREE)



MATED WITH CORRESPONDING PLUG



HRS	DRAWING NO.	EDC3-127464-00
	PART NO.	ZX62D-B-5PA5
	CODE NO.	CL242-0066-7-00
		△ 2/2