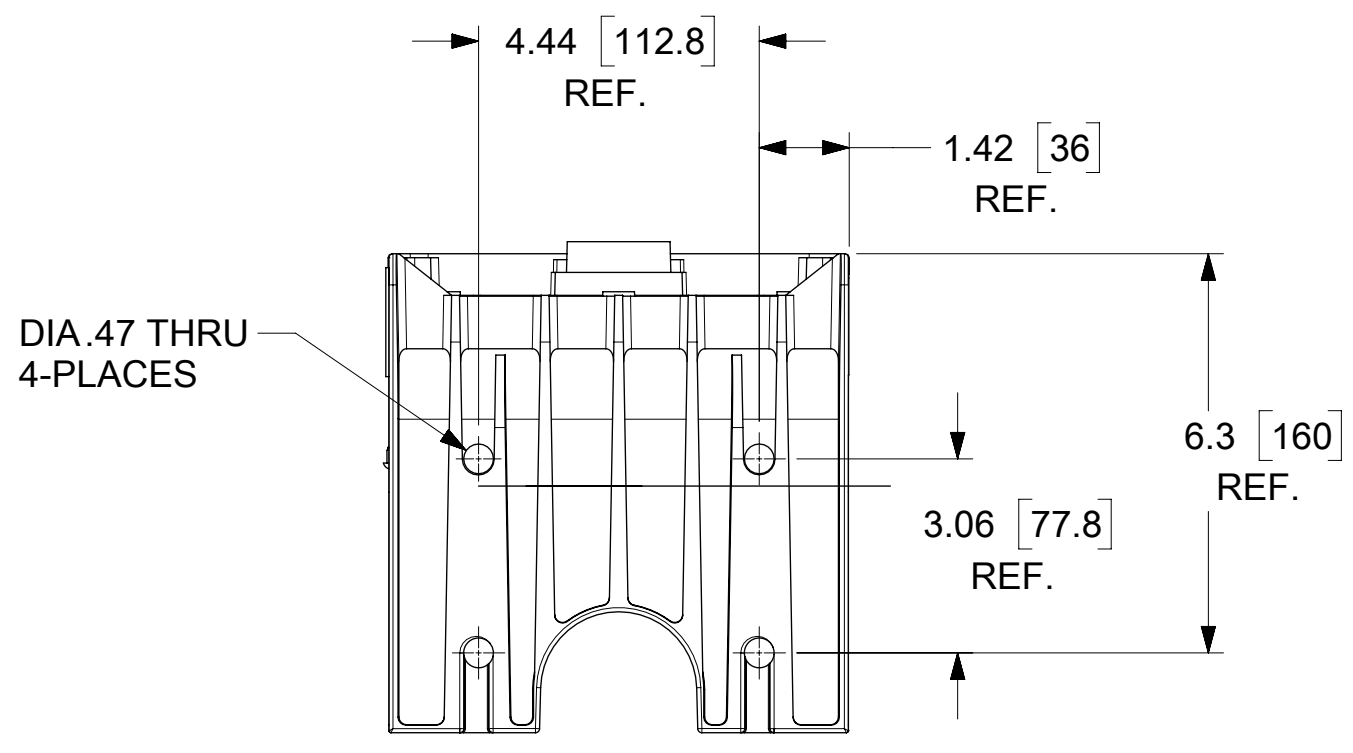
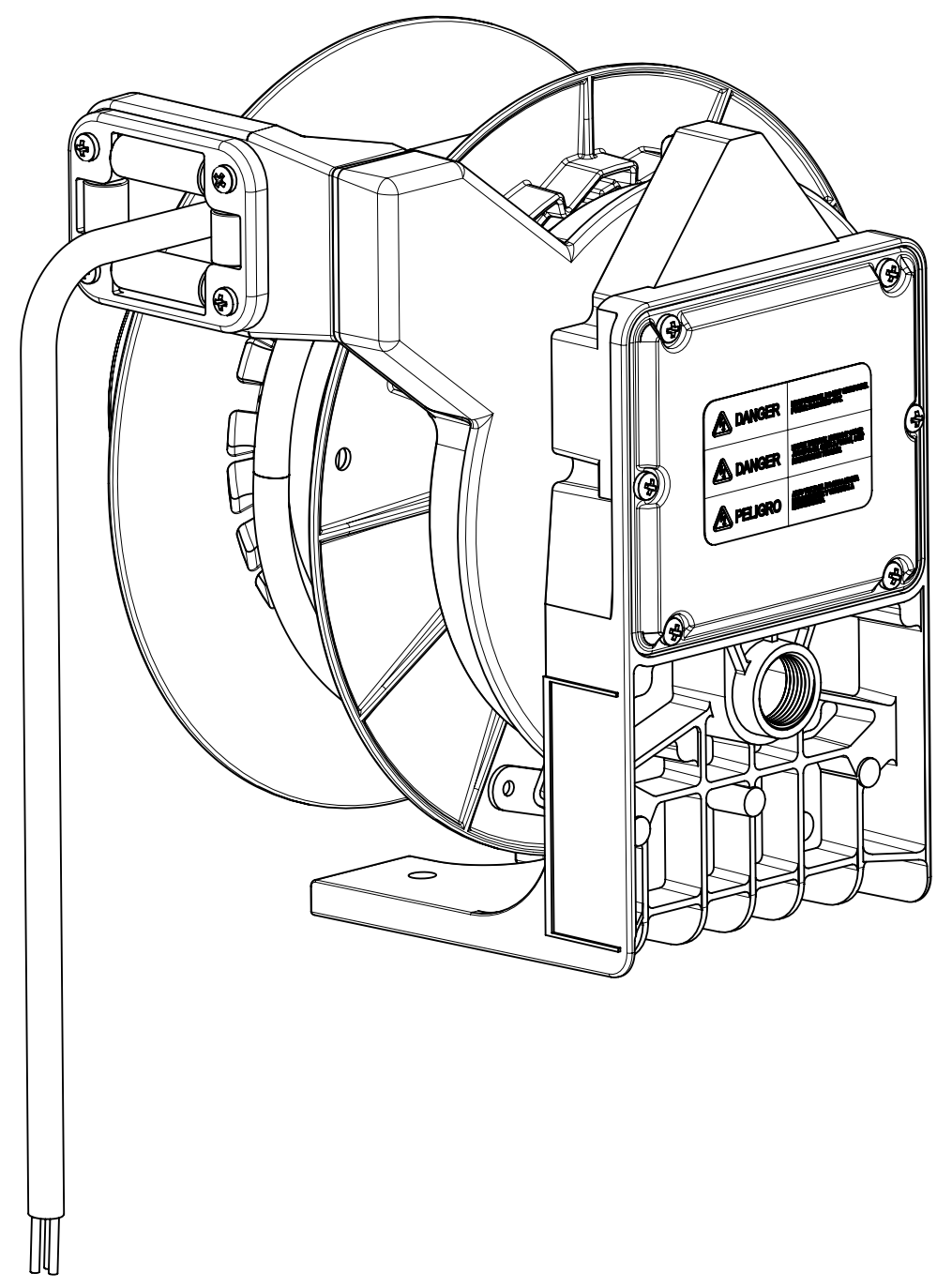
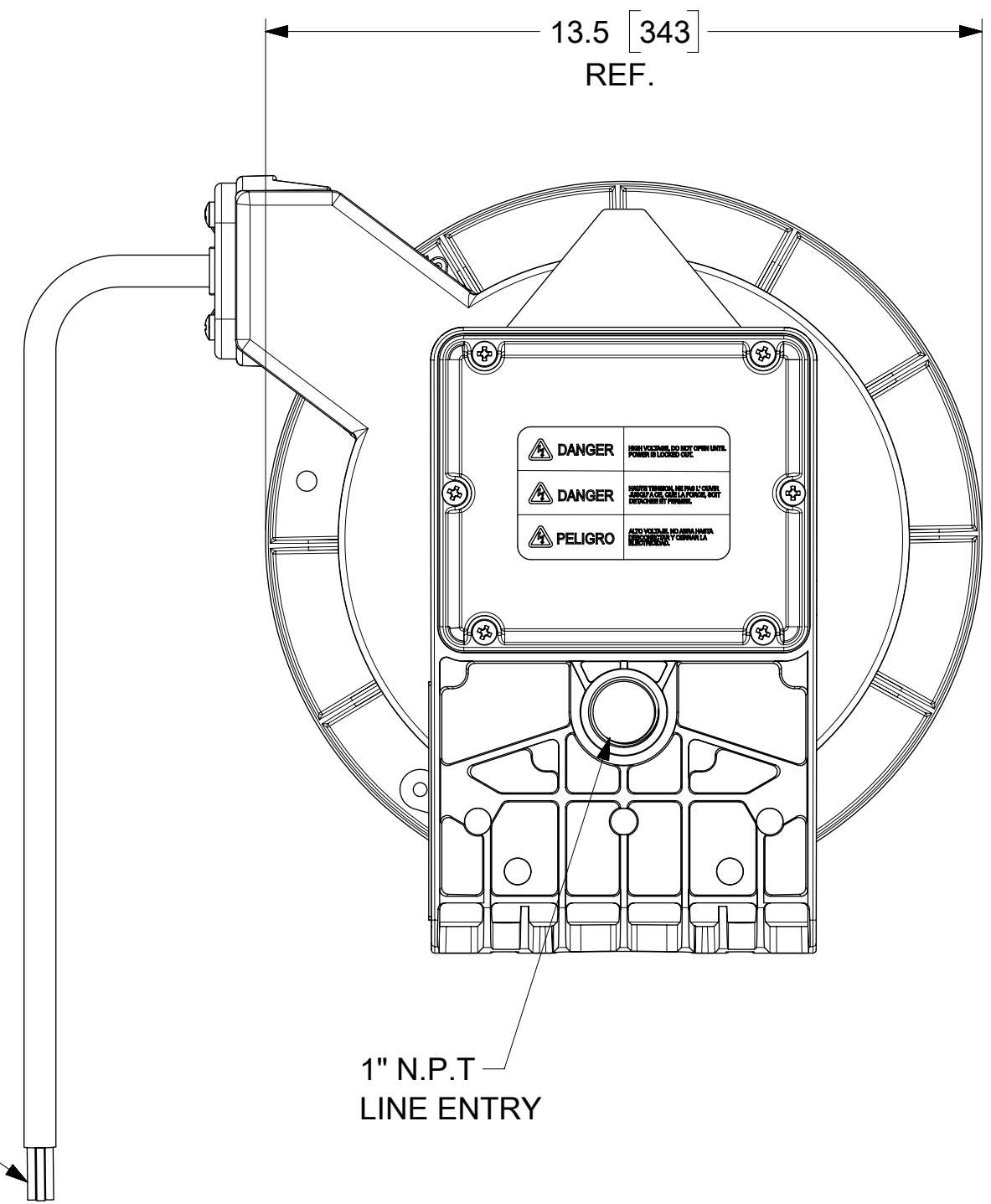
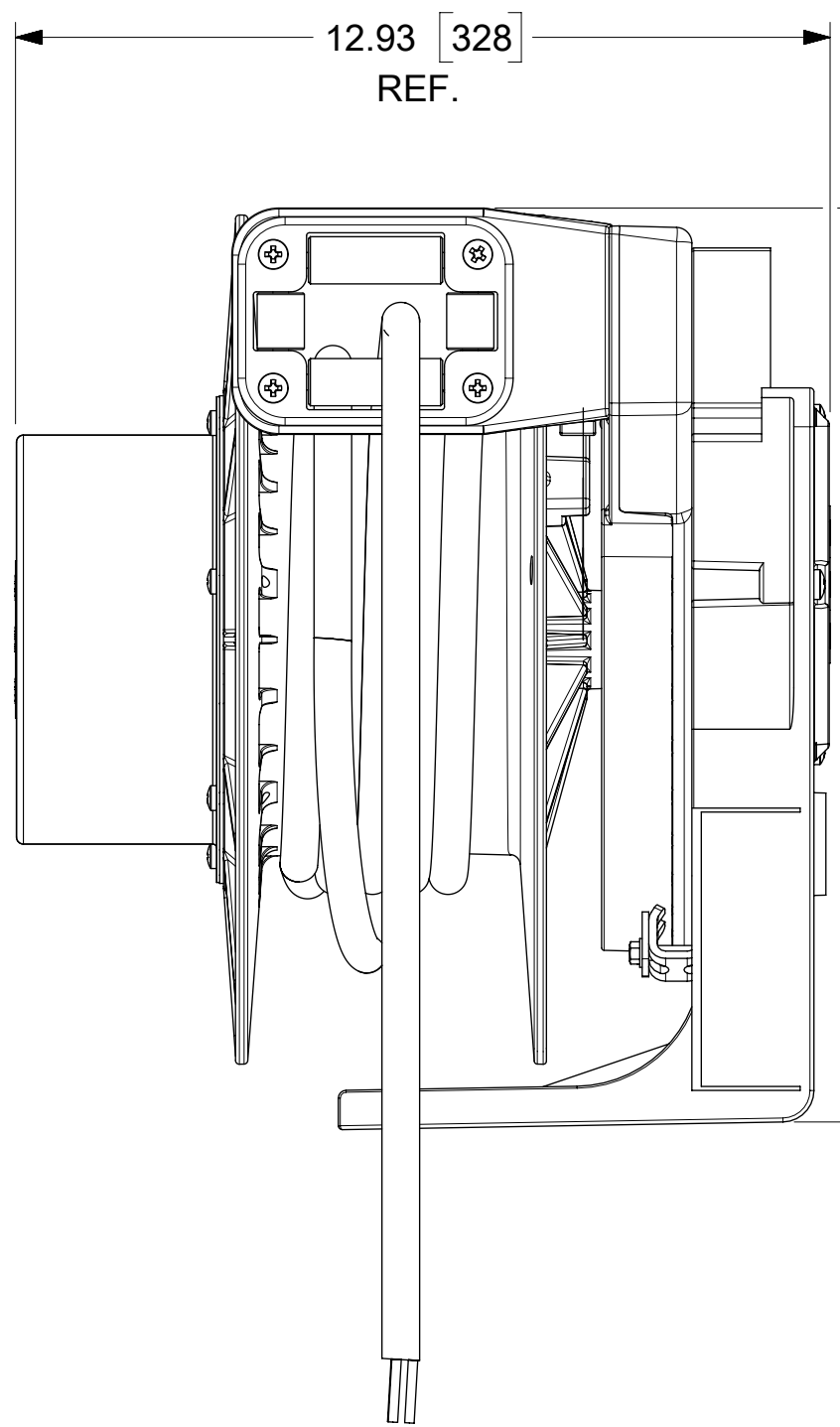


| | |
|-----------------------|--------------------------|
| ORDER NO | 130083-0229 |
| WOODHEAD ENG. NO | 92401 |
| WIRE GAUGE | 16 |
| CONDUCTORS | 10 |
| AMPERAGE | 5A |
| WORKING CORD | 30 FT. BLACK |
| CORD TYPE | SOOW |
| CONSTRUCTION | HEAVY WALL CAST ALUMINUM |
| PAINT | YELLOW POWDER COAT |
| REEL ENCLOSURE RATING | NEMA 4 INDOOR / OUTDOOR |
| RETRACTION WEIGHT | 4.0 LB [1.8 KG] |



BOTTOM VIEW

NOTES:

1. CABLE GUIDE IS ADJUSTABLE EVERY 5 DEGREES OVER 270 DEGREE ARC.
2. RATCHET LOCK IS EASY TO DISENGAGE FOR CONSTANT TENSION.
3. REEL CANNOT BE "LOCKED OUT" AT FULL EXTENSION.

| | | | | |
|--|---|------------------------|--|--------|
| FUNCTIONAL SYMBOLS | THIS DRAWING CONTAINS INFORMATION THAT IS PROPRIETARY TO MOLEX ELECTRONIC TECHNOLOGIES, LLC AND SHOULD NOT BE USED WITHOUT WRITTEN PERMISSION | | | |
| | DIMENSION UNITS | SCALE | CURRENT REV DESC: RELEASE CUSTOMER DRAWING | |
| $\frac{F}{A} = 0$ | INCH/MM | NTS | | |
| $\frac{F}{C} = 0$ | GENERAL TOLERANCES (UNLESS SPECIFIED) | | | |
| $\frac{F}{P} = 0$ | | MM | INCH | |
| DIVISIONAL SYMBOLS | 4 PLACES | ± | ± | |
| | 3 PLACES | ± | ± 0.005 | |
| | 2 PLACES | ± 0.13 | ± 0.01 | |
| | 1 PLACE | ± 0.25 | ± 0.02 | |
| | 0 PLACES | ± | ± | |
| | ANGULAR TOL | ± 0.5 ° | | |
| DRAFT WHERE APPLICABLE MUST REMAIN WITHIN DIMENSIONS | | THIRD ANGLE PROJECTION | DRAWING | SERIES |
| | | | C-SIZE | 130083 |

| | | | |
|-------------------|--|------------|--|
| EC NO: 674091 | | 2020/07/22 | |
| DRWN: VHANDI | | 2022/05/09 | |
| CHK'D: DSOPPIN | | 2022/05/13 | |
| APPR: HKNEELAND | | | |
| INITIAL REVISION: | | | |
| DRWN: VHANDI | | 2020/07/22 | |
| APPR: HKNEELAND | | 2022/05/13 | |

| | | | | |
|-----------------|--|----------|----------|----------|
| DOCUMENT NUMBER | | DOC TYPE | DOC PART | REVISION |
| 1300830229 | | PSD | 000 | A |

| | | |
|-----------------|----------------|--------------|
| MATERIAL NUMBER | CUSTOMER | SHEET NUMBER |
| SEE TABLE | GENERAL MARKET | 1 OF 1 |