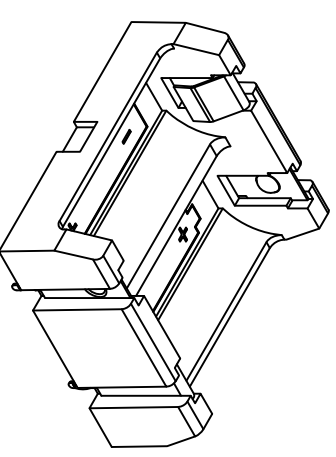
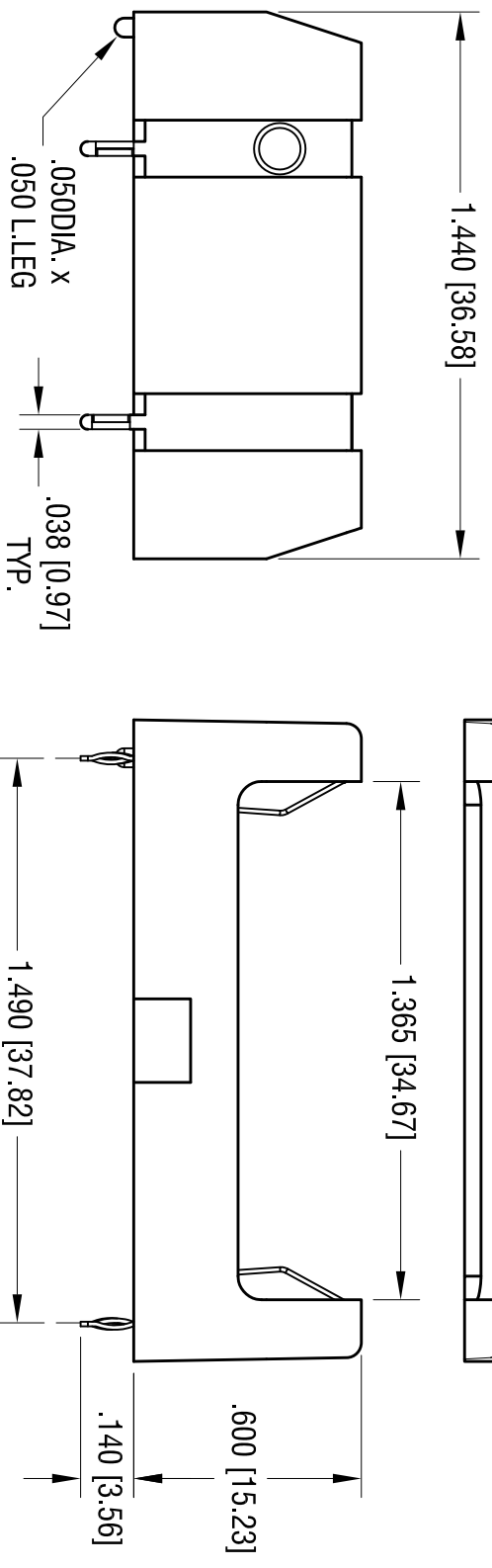
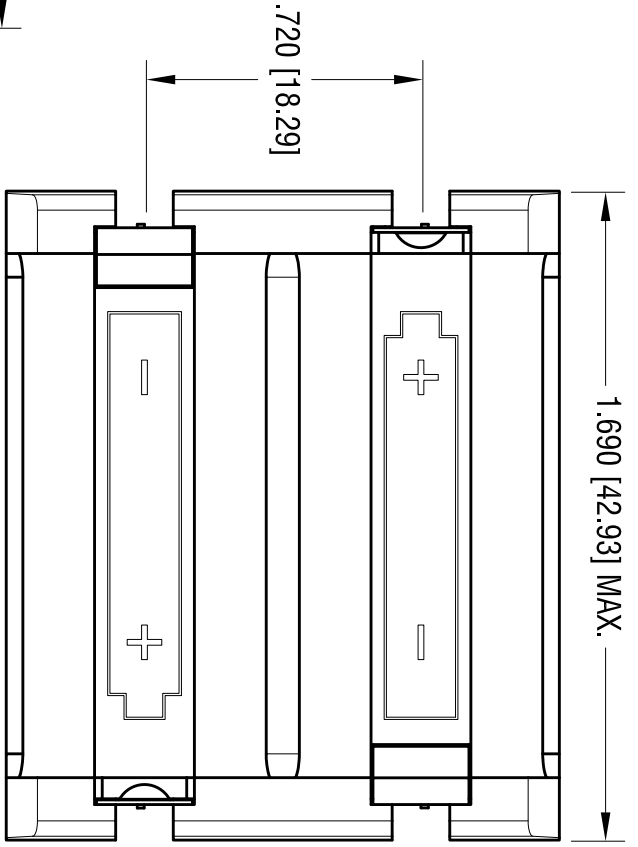
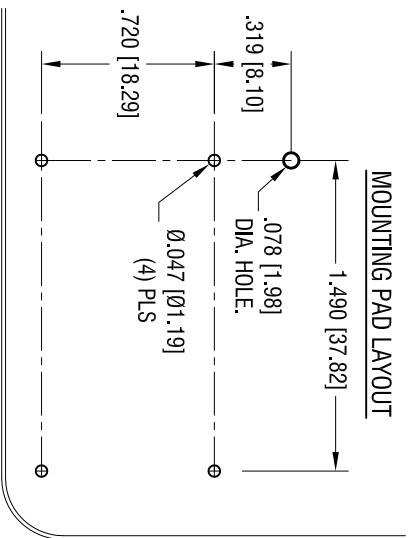


DATE	DESCRIPTION	REV.
1.18.19	CHANGE AS PER ECN 19-007 MAT'L WAS NYLON 46	A
6.28.22	CHANGE AS PER ECN 22-107 MAT'L WAS PBT (BLACK COLOR)	B



ACTUAL SIZE

**KEYSTONE ELECTRONICS CORP.**  
 www.keystone.com • NEW HYDE PARK, NY 11040 • Tel (516) 328-7500  
 PART NAME THM POLARIZED HOLDER, (2) CR123A

MATERIAL AS NOTED

FINISH AS NOTED

TOLERANCES	INCH	[MM]	CODE	DWG NO.
DECIMAL	± .010	[± 0.25]	C	1079
ANGULAR	± 1°			

THIS DOCUMENT IS THE PROPERTY OF  
 KEYSTONE ELECTRONICS CORP. AND  
 SHALL NOT BE REPRODUCED, DISTRIBUTED  
 OR USED AS A BASIS FOR MANUFACTURE  
 WITHOUT PRIOR WRITTEN PERMISSION  
 FROM KEYSTONE ELECTRONICS CORP.

- NOTE:
- BASE:  
MATL: PBT (GRAY COLOR)
  - CONTACT:  
MATL: .012 [0.30] THK STAINLESS STEEL  
FINISH: TIN NICKEL PLATE