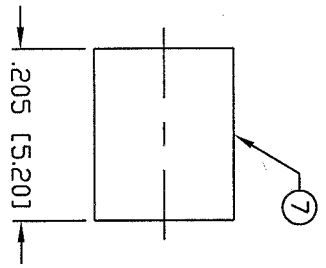
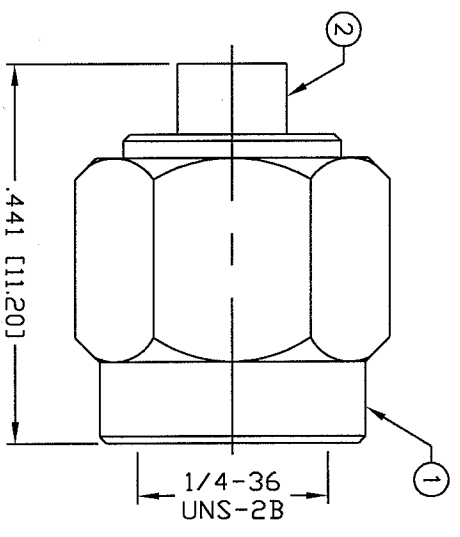
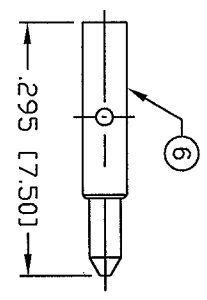
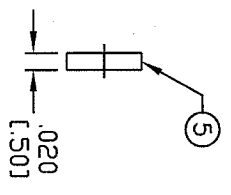


THIS DRAWING CONTAINS INFORMATION PROPRIETARY TO RF INDUSTRIES.
 ANY UNAUTHORIZED USE OF THIS DRAWING IS EXPRESSLY PROHIBITED
 WITHOUT WRITTEN PERMISSION FROM RF INDUSTRIES.
 ANY VIOLATION IS PUNISHABLE UNDER U.S. COPYRIGHT LAWS.

ALL DIMENSIONS ARE REFERENCE ONLY

PART NO. **RSA-3500-1-085**

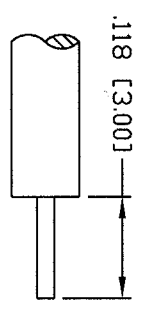
REV	DESCRIPTION	DWIN	DATE	APPROVED
-	ENGINEERING RELEASE	CZS	5/30/00	JDMc



SPECIFICATIONS:

IMPEDANCE: 50 Ohms
 FREQUENCY RANGE: 0-18 GHz
 INSERTION LOSS(DB): 0.03 x $\sqrt{f(\text{GHz})}$
 VSWR: 1.3 MAX.
 WORKING VOLTAGE: 500 V rms Max. @ Seo Level
 INSULATION RESISTANCE: 5000 Megohms
 TEMPERATURE RANGE: -65°C TO 165°C
 FOR .085 SEMI RIGID, RG-405/U & BELDEN 1671A CABLE

RECOMMENDED STRIPPING DIMENSIONS



#	DESCRIPTION	QTY	MATERIAL	FINISH	APPROVALS	DATE
1	SHELL	1	BRASS	GOLD, 3/2"	008974	
2	BODY	1	BRASS	GOLD, 3/2"		
3	RETAINING RING	1	Be.Cu.	---		
4	GASKET	1	SILICONE	RED		
5	INSULATOR	1	PTFE	---		
6	PIN	1	BRASS	GOLD, 50μ"		
7	INSULATOR	1	PTFE	---		
8						
9						
10						
11						
12						
13						
14						

UNLESS OTHERWISE SPECIFIED:
 1. REMOVE ALL BURRS
 2. BREAK ALL CORNERS & EDGES .005 R. MAX.
 3. CHAMFER 1ST & LAST THREADS 45°
 4. SURFACE ROUGHNESS 63 FINISH MIL.-STD-10
 5. DIAMETERS ON COMMON CENTERS TO BE CONCENTRIC WITHIN .002 T.I.R.
 6. ALL DIMENSIONS ARE AFTER PLATING.

DIMENSIONS ARE IN INCHES AND [MILLIMETERS]
 UNLESS OTHERWISE NOTED
 TOLERANCES ARE:
 DECIMALS DIAMETER .xxx±.001 [.03]
 .xxx±.003 [.08]
 .xx±.003 [.08]

RF connectors
 DIVISION OF RF INDUSTRIES, LTD.

7610 MIRAMAR RD
 SAN DIEGO, CA 92126
 (858) 549-6340
 (858) 549-6345 FAX

SMA MALE, SOLDER PLUG

SIZE: A CABLE GROUP: SR1 DWG NO.: RSA-3500-1-085 REV: ---
 SCALE: NTS CAD FILE: OUTLINE SHEET 1 OF 1