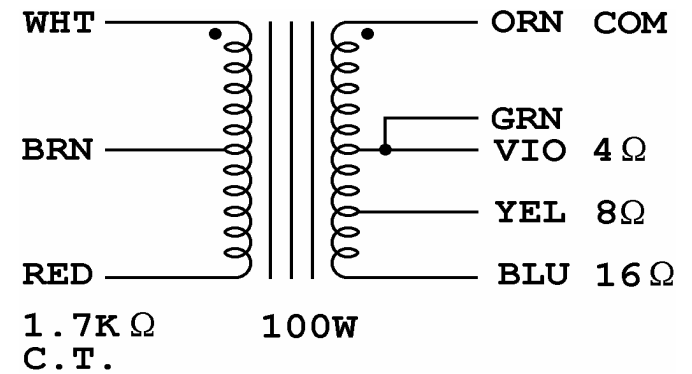
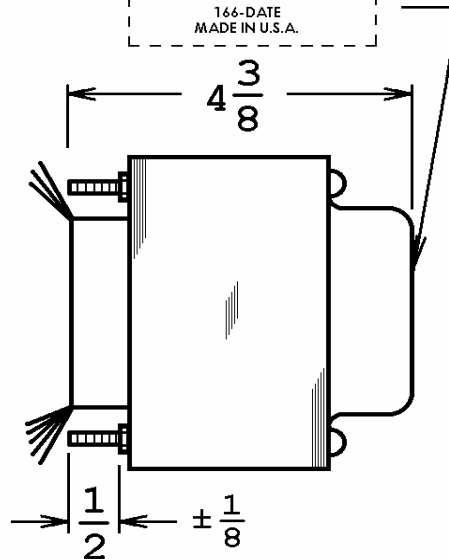
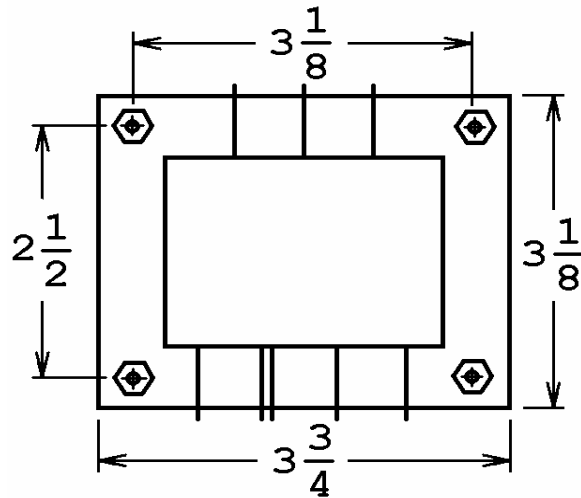


40-18055

This drawing is the property of Magnetic Components, Inc. and shall not be reproduced, in whole or in part, without the written permission of Magnetic Components, Inc.

REVISIONS			
LTR	DESCRIPTION	DATE	APPROVED
A	ADD 100W TO TITLE BLOCK	01/26/11	M. Sacketti
B	ADD JCM2000 TO TITLE BLOCK	06/22/11	M. Sacketti
C	ADD MOUNTING HARDWARE NOTE, GRN & VIO CONN NOTE	10/28/11	M. Sacketti
D	REVISED NOTE FOR VIO LEAD	04/29/14	M. Sacketti

Classic Tone™
By Magnetic Components, Inc.
40-18055
166-DATE
MADE IN U.S.A.



NOTE : VIO LEAD IS CONNECTED TO FEEDBACK NETWORK WHERE APPLICABLE

USE FOUR # 8-32 HEX NUTS (NOT SUPPLIED) FOR CHASSIS MOUNTING. PLEASE DO NOT REMOVE EXISTING HEX NUTS.

UNLESS OTHERWISE SPECIFIED ALL DIMENSIONS IN INCHES DO NOT SCALE DRAWING FRACTIONS +/- .X = +/- .XX = +/- .XXX = +/- ANGLES = +/-	SIGNATURES		DATE	MAGNETIC COMPONENTS, INC.		DIV : LOC : SCHILLER PK		
	DRAWN : <i>M. Sacketti</i>		24 NOV 10	TITLE JCM900 & JCM2000 100W OUTPUT				
	CHECK :			CAGE 50508		SIZE	PART No.	REV
	APPR : <i>M. Sacketti</i>		24 NOV 10	SCALE NONE		A	40-18055	D
						SHEET :		