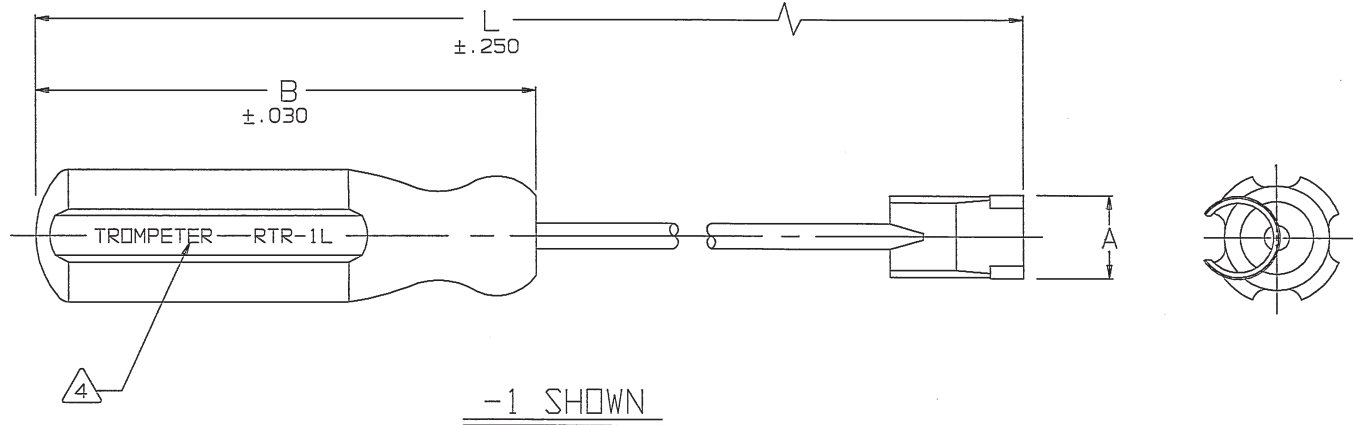


DISK # B5 DWG SIZE B
 DATA CONTAINED IN THIS DOCUMENT IS PROPRIETARY TO TROMPETER ELECTRONICS INC. AND SHALL NOT BE DISCLOSED, COPIED OR USED FOR PROCUREMENT OR MANUFACTURE WITHOUT EXPRESS WRITTEN PERMISSION.

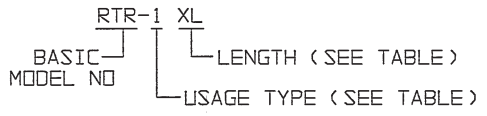
REVISIONS		010-0072	SH 1
REV	DESCRIPTION	DATE	APPROVED
A	REVISED PER ECD 16187	6-28-06	MCIPT/EE

DASH NO	MODEL NO	USAGE	L DIM	A DIM	B DIM
-1	RTR-1L		12.000		
-2	RTR-1S	BNC/TNC	6.000	.625	3.750
-3	RTR-1XL		22.000		




4 MARKING MAY BE AS SHOWN OR INVERTED

3. EXAMPLE OF COMPLETE MODEL NO:



2. COLLET AND SHAFT CRES STEEL

1. HANDLE TRANSLUCENT AMBER CELLULOSE ACETATE

QTY	DESCRIPTION		PART NUMBER	ITEM
TOL UNLESS SPECIFIED			 INSTALLATION/ REMOVAL TOOL FOR RIGHT ANGLE BNC/TNC PLUGS	
.XX ±				
.XXX ± .010				
.XXXX ±				
ANGLES ±				
DWN	L.M.	6-23-06	MATERIAL	CODE IDENT
CHK	<i>CJD</i>	6/28/06		14949
ENGR				010-0072
APPR	<i>Am</i>	6/28/06	SCALE 1/1	DATE 6-6-91
NEXT ASSY				SHEET 1C