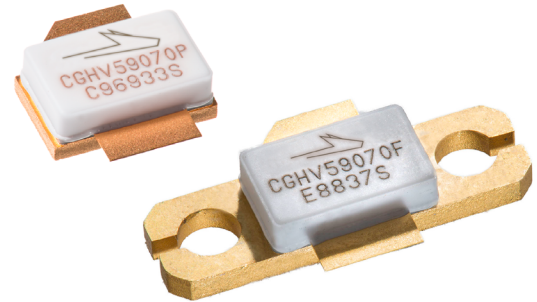


CGHV59070

70 W, 4.4 - 5.9 GHz, 50 V, RF Power GaN HEMT

Description

WolfSpeed's CGHV59070 is an internally matched gallium nitride (GaN) high electron mobility transistor (HEMT). The CGHV59070, operating from a 50 volt rail, offers a general purpose, broadband solution to a variety of RF and microwave applications. The good efficiency, high gain and wide bandwidth capabilities make the CGHV59070 ideal for linear applications such as wireless infrastructure and for compressed amplifier circuits. The transistor is available in a flange and pill package.



Package Type: 440224, 440170
PN's: CGHV59070F, CGHV59070P

Features

- 4.4 - 5.9 GHz Operation
- 90 W P_{OUT} typical at 50 V
- 14 dB Power Gain
- 55% Drain Efficiency
- Internally Matched

Applications

- Wireless Infrastructure
- Marine Radar
- Weather Monitoring
- Air Traffic Control
- Maritime Vessel Traffic Control
- Port Security
- Troposcatter Communications
- Beyond Line of Sight - BLOS

Typical Performance Over 4.8 - 5.9 GHz (T_c = 25°C)

Parameter	4.8 GHz	5.0 GHz	5.2 GHz	5.4 GHz	5.6 GHz	5.8 GHz	5.9 GHz	Units
Power Gain at 50 V	13.7	14.2	14.5	14.6	14.3	13.7	13.3	dB
Output Power at 50 V	84	93	101	102	95	84	76	W
Drain Efficiency at 50 V	55	56	57	56	54	50	48	%

Notes:

¹ Measured in CGHV59070F-AMP (838269) under 100µs pulse width, 10% duty cycle, P_{IN} = 35.5 dBm (3.5 W)







Absolute Maximum Ratings (not simultaneous) at 25°C Case Temperature

Parameter	Symbol	Rating	Units	Conditions
Drain-Source Voltage	V_{DS}	150	V	25°C
Gate-to-Source Voltage	V_{GS}	-10, +2		
Storage Temperature	T_{STG}	-65, +150	°C	
Operating Junction Temperature	T_J	225		
Maximum Forward Gate Current	I_{GMAX}	10.4	mA	25°C
Maximum Drain Current ¹	I_{DMAX}	6.3		
Soldering Temperature ²	T_S	245	°C	
Screw Torque	τ	40	in-oz	
Thermal Resistance, Junction to Case ³	$R_{\theta JC}$	2.99	°C/W	85°C, CW @ $P_{DISS} = 57$ W
Thermal Resistance, Junction to Case ³		0.85		85°C, 100 μ s, 10% Duty Cycle @ $P_{DISS} = 70$ W
Case Operating Temperature ⁴	T_C	-40, +150	°C	

Notes:

¹ Current limit for long term, reliable operation

² Refer to the Application Note on soldering at wolfspeed.com/rf/document-library

³ Measured for the CGHV59070F at $P_{DISS} = 57.6$ CW or $P_{DISS} = 70$ W Pulsed

⁴ See also, the Power Dissipation De-rating Curve on Page 8

Electrical Characteristics ($T_C = 25^\circ\text{C}$)

Characteristics	Symbol	Min.	Typ.	Max.	Units	Conditions		
DC Characteristics¹								
Gate Threshold Voltage	$V_{GS(th)}$	-3.8	-2.8	-2.3	V_{DC}	$V_{DS} = 10$ V, $I_D = 10.4$ mA		
Saturated Drain Current ²	I_{DS}	6.8	9.7	—	A	$V_{DS} = 6.0$ V, $V_{GS} = 2.0$ V		
Drain-Source Breakdown Voltage	V_{BR}	125	—	—	V_{DC}	$V_{GS} = -8$ V, $I_D = 10.4$ mA		
RF Characteristics³ ($T_C = 25^\circ\text{C}$, $F_0 = 5.2 - 5.9$ GHz unless otherwise noted)								
Small Signal Gain at 5.2 GHz	G_{SS}	15.55	17	—	dB	$V_{DD} = 50$ V, $I_{DQ} = 0.15$ A, $P_{IN} = 10$ dBm		
Output Power at 5.2 GHz	P_{OUT}	75.9	100	—	W	$V_{DD} = 50$ V, $I_{DQ} = 0.15$ A, $P_{IN} = 35.5$ dBm		
Output Power at 5.55 GHz				—				
Output Power at 5.9 GHz				—				
Drain Efficiency at 5.2 GHz	η	50	55	—	%			
Drain Efficiency at 5.55 GHz				46			54	—
Drain Efficiency at 5.9 GHz				40			48	—
Power Gain at 5.2 GHz	G_P	—	14.5	—	dB			
Output Mismatch Stress	VSWR	—	—	5 : 1	Ψ	No damage at all phase angles, $V_{DD} = 50$ V, $I_{DQ} = 0.15$ A, $P_{IN} = 35.5$ dBm Pulsed		
Dynamic Characteristics								
Input Capacitance	C_{GS}	—	36	—	pF	$V_{DS} = 50$ V, $V_{GS} = -8$ V, $f = 1$ MHz		
Output Capacitance	C_{DS}	—	109	—				
Feedback Capacitance	C_{GD}	—	0.26	—				

Notes:

¹ Measured on wafer prior to packaging

² Scaled from PCM data

³ Measured in CGHV59070F-AMP

⁴ Drain Efficiency = P_{OUT}/P_{DC}



Typical Performance

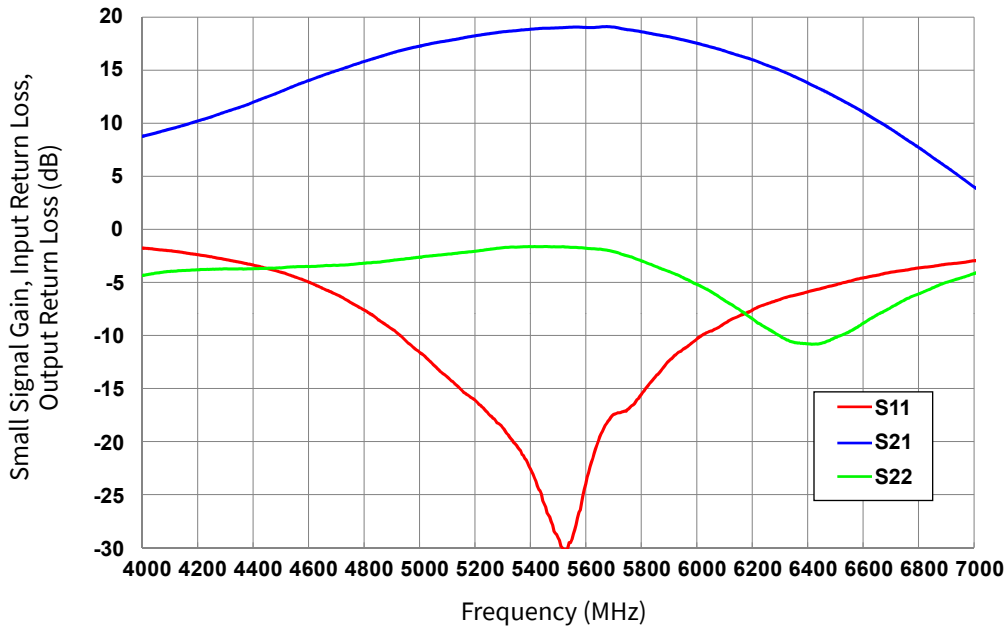


Figure 1. Small Signal Gain and Return Losses of the CGHV59070-AMP vs Frequency
 $V_{DD} = 50\text{ V}$, $I_{DQ} = 150\text{ mA}$

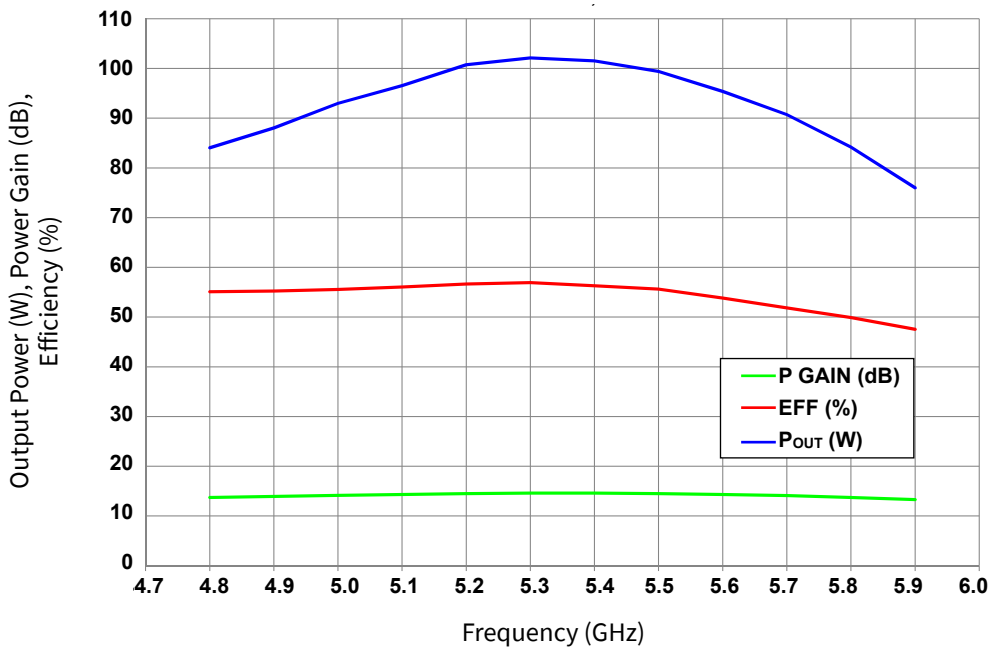


Figure 2. Power Gain, Drain Efficiency, and Output Power vs Frequency measured in Amplifier Circuit CGHV59070P-AMP
 $V_{DD} = 50\text{ V}$, $I_{DQ} = 150\text{ mA}$, $P_{IN} = 35.5\text{ dBm}$, Pulse Width = 100 μsec , Duty Cycle = 10%

Typical Performance

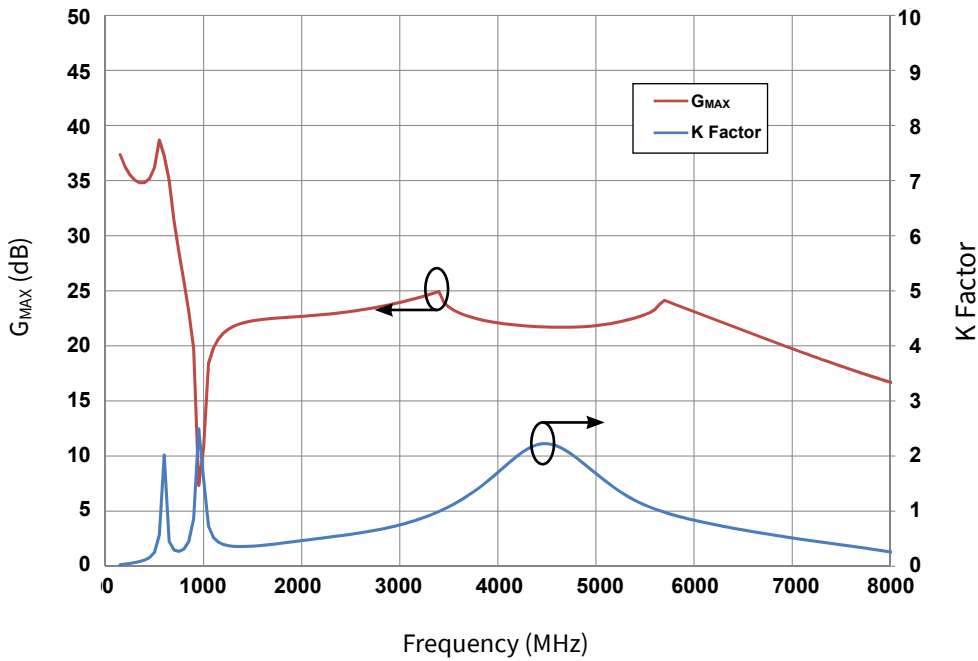


Figure3. Maximum Available Gain and K Factor of the CGHV59070
 $V_{DD} = 50\text{ V}$, $I_{DQ} = 150\text{ mA}$

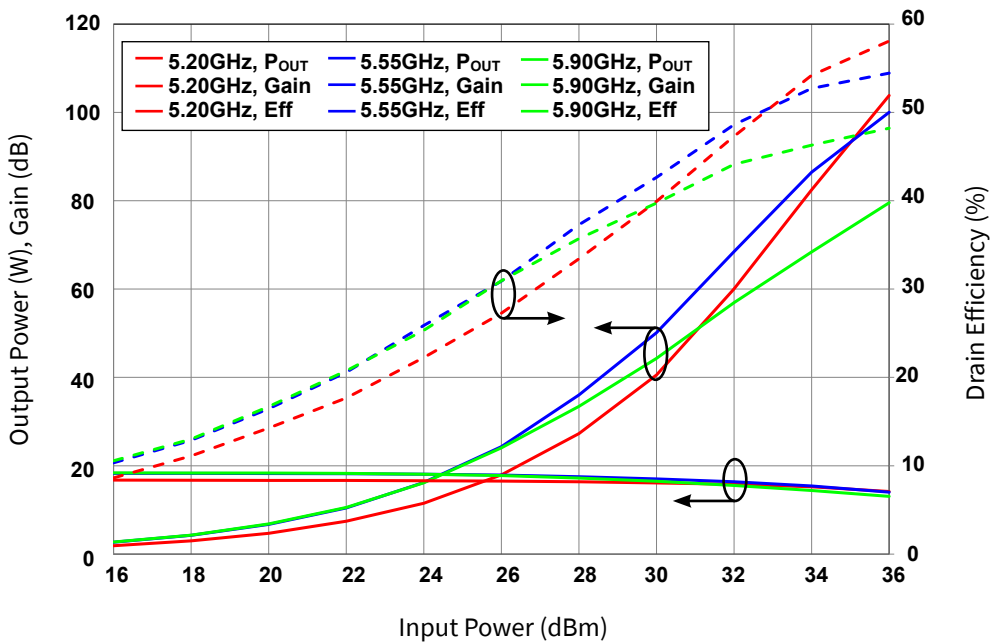


Figure 4. Power Gain, Drain Efficiency, and Output Power vs Input Power of the CGHV59070
 $V_{DD} = 50\text{ V}$, $I_{DQ} = 150\text{ mA}$, Pulse Width = 100 μs , Duty Cycle = 10%



Typical Performance

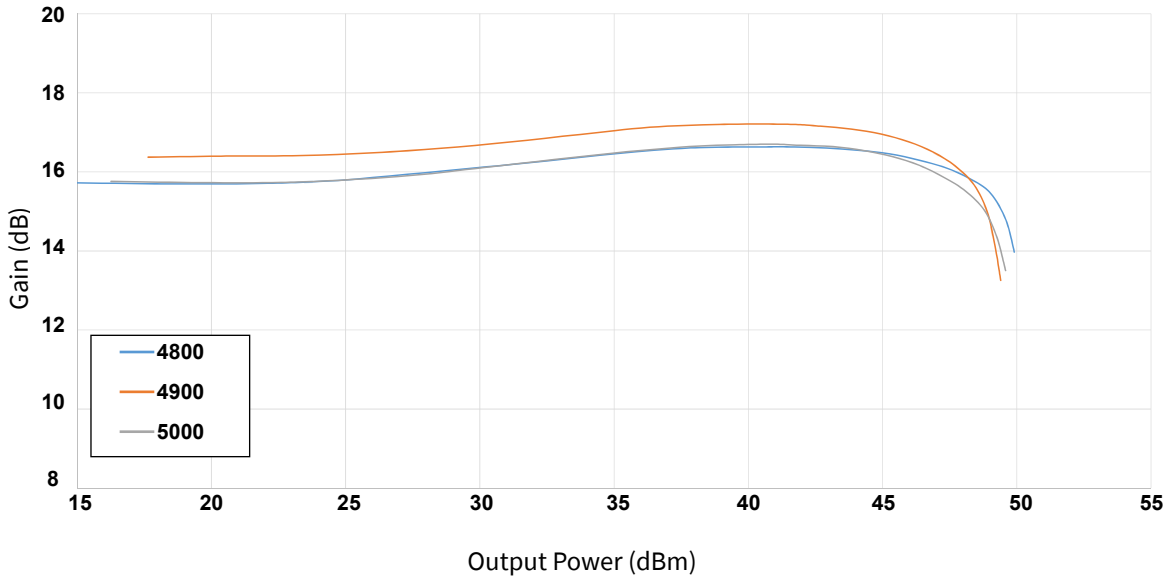


Figure 5. Gain vs Output Power Measured in CGHV59070F-AMP4
 $V_{DD} = 50\text{ V}$, $I_{DQ} = 75\text{ mA}$

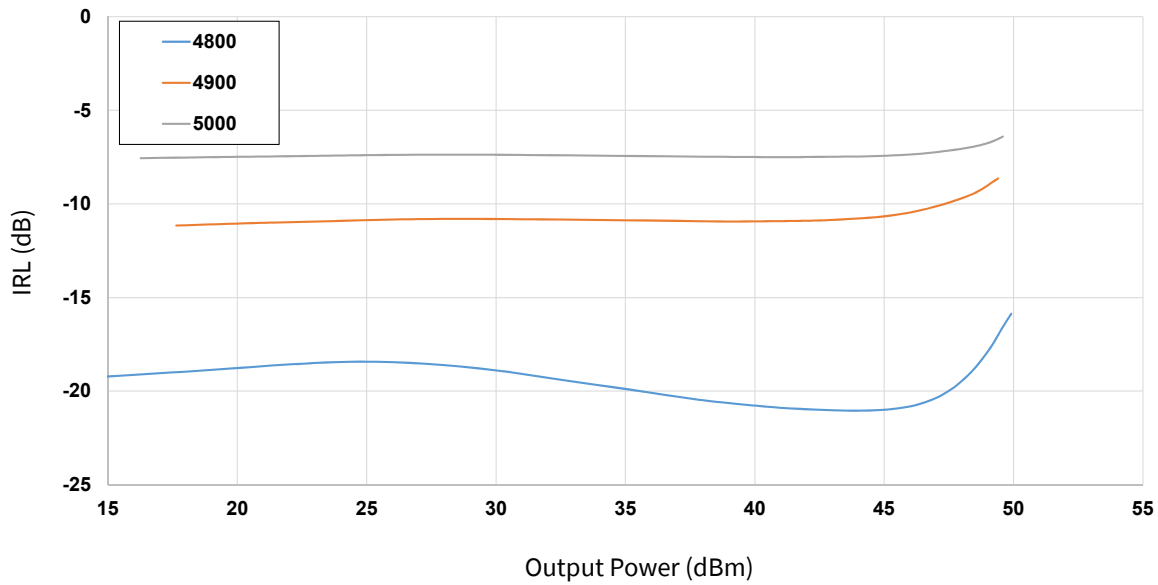


Figure 6. Input Return Loss vs Output Power Measured in CGHV59070F-AMP4
 $V_{DD} = 50\text{ V}$, $I_{DQ} = 75\text{ mA}$



Typical Performance

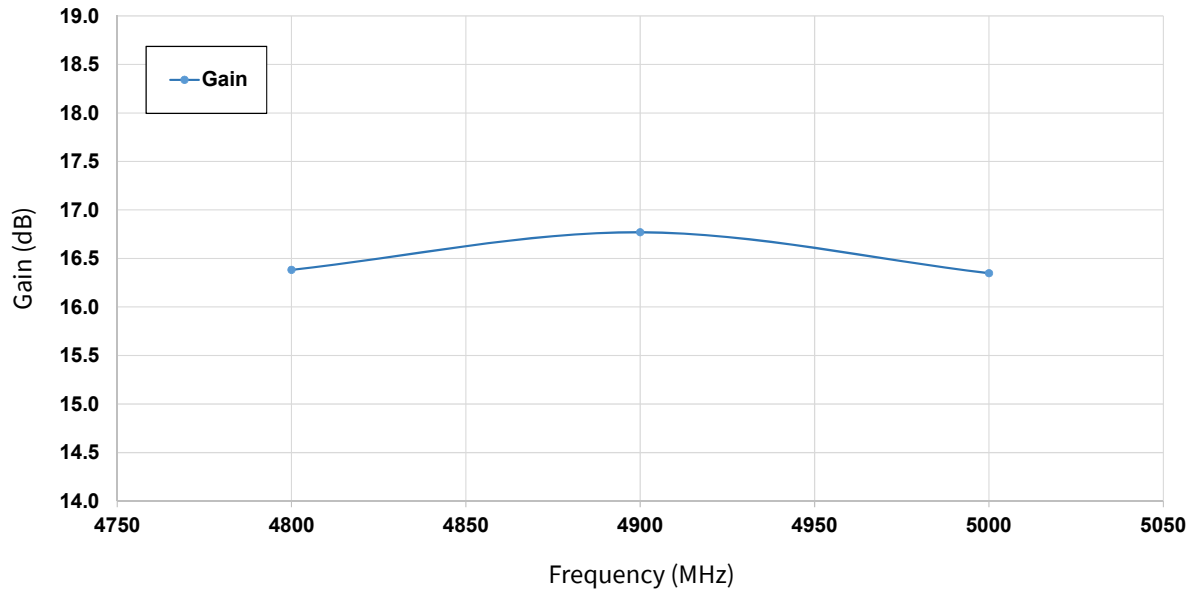


Figure 7. Gain vs Frequency Measured in CGHV59070F-AMP4
 $V_{DD} = 50\text{ V}$, $I_{DQ} = 75\text{ mA}$, $P_{OUT} = 42\text{ dBm}$

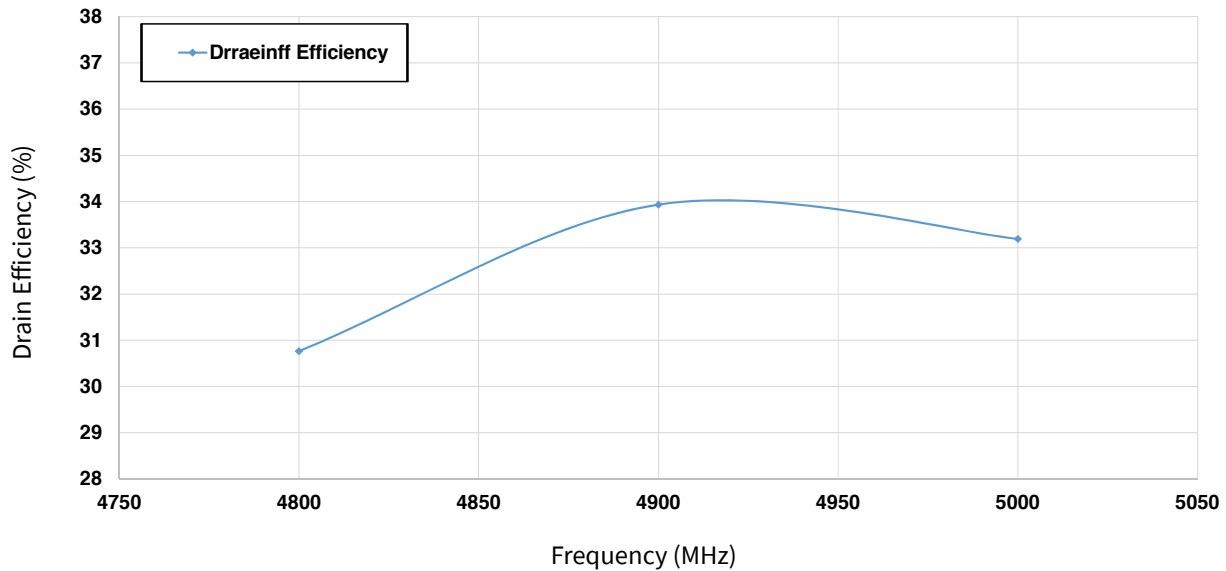


Figure 8. Drain Efficiency vs Frequency Measured in CGHV59070F-AMP4
 $V_{DD} = 50\text{ V}$, $I_{DQ} = 75\text{ mA}$, $P_{OUT} = 42\text{ dBm}$



Typical Performance

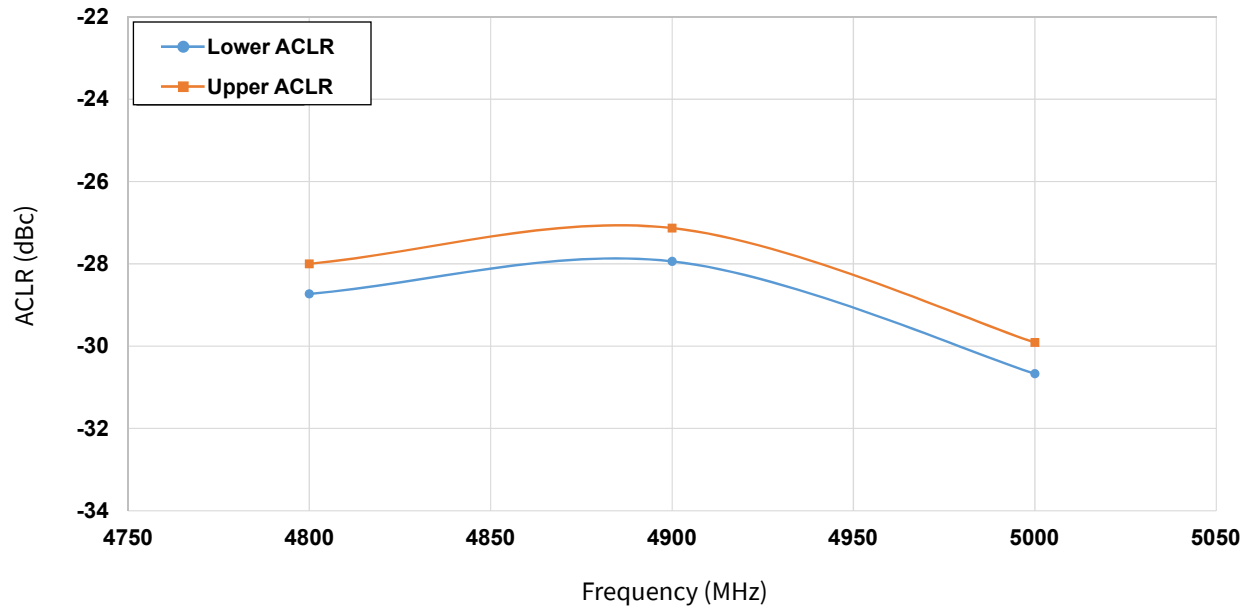


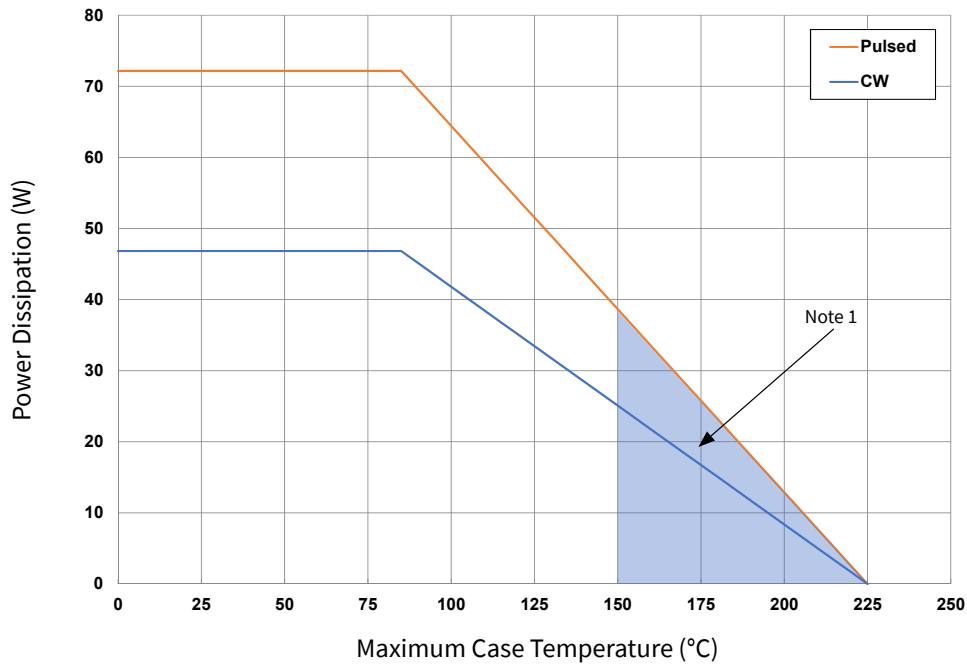
Figure 9. ACLR vs Frequency Measured in CGHV59070F-AMP4
 $V_{DD} = 50\text{ V}$, $I_{DQ} = 75\text{ mA}$, $P_{OUT} = 42\text{ dBm}$, WCDMA 7.5 dB PAR Signal

Electrostatic Discharge (ESD) Classifications

Parameter	Symbol	Class	Classification Level	Test Methodology
Human Body Model	HBM	1B	ANSI/ESDA/JEDEC JS-001 Table 3	JEDEC JESD22 A114-D
Charge Device Model	CDM	C3	ANSI/ESDA/JEDEC JS-002 Table 3	JEDEC JESD22 C101-C

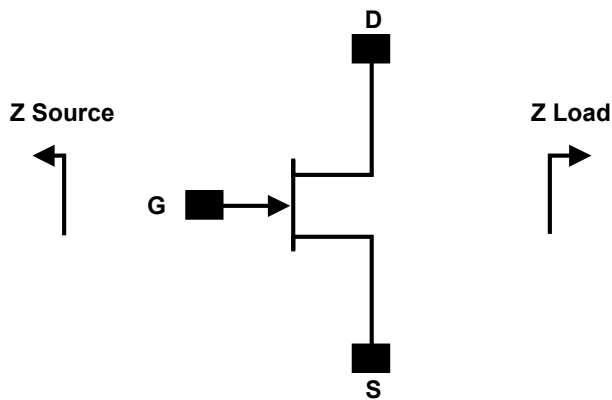


CGHV59070 Power Dissipation De-Rating Curve, Pulsed & CW
 (Pulsed Width = 100µs, Duty Cycle = 10%)



Note
¹ Area exceeds Maximum Case Temperature (See Page 2).

Simulated Source and Load Impedances

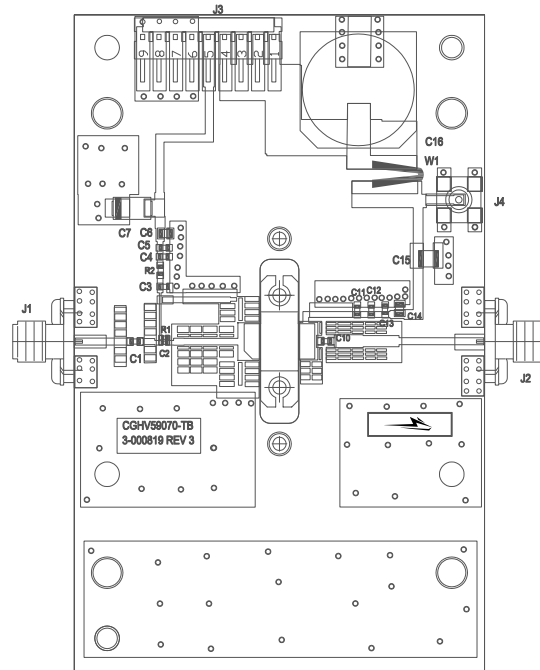


Frequency (MHz)	Z Source	Z Load
4400	2.6 - j12.9	14.0 - j6.9
4600	3.8 - j14.2	15.0 - j6.7
4800	5.8 - j15.3	16.0 - j7.0
5000	8.8 - j15.4	16.7 - j8.0
5200	8.8 - j14.7	17.1 - j9.1
5300	8.5 - j14.5	16.9 - j10.0
5400	8.1 - j14.2	16.5 - j10.7
5500	7.8 - j13.9	15.4 - j11.4
5600	7.5 - j13.6	15.4 - j12.0
5700	7.2 - j13.3	14.6 - j12.5
5800	6.9 - j13.3	13.8 - j12.8
5900	6.6 - j12.7	12.9 - j13.1

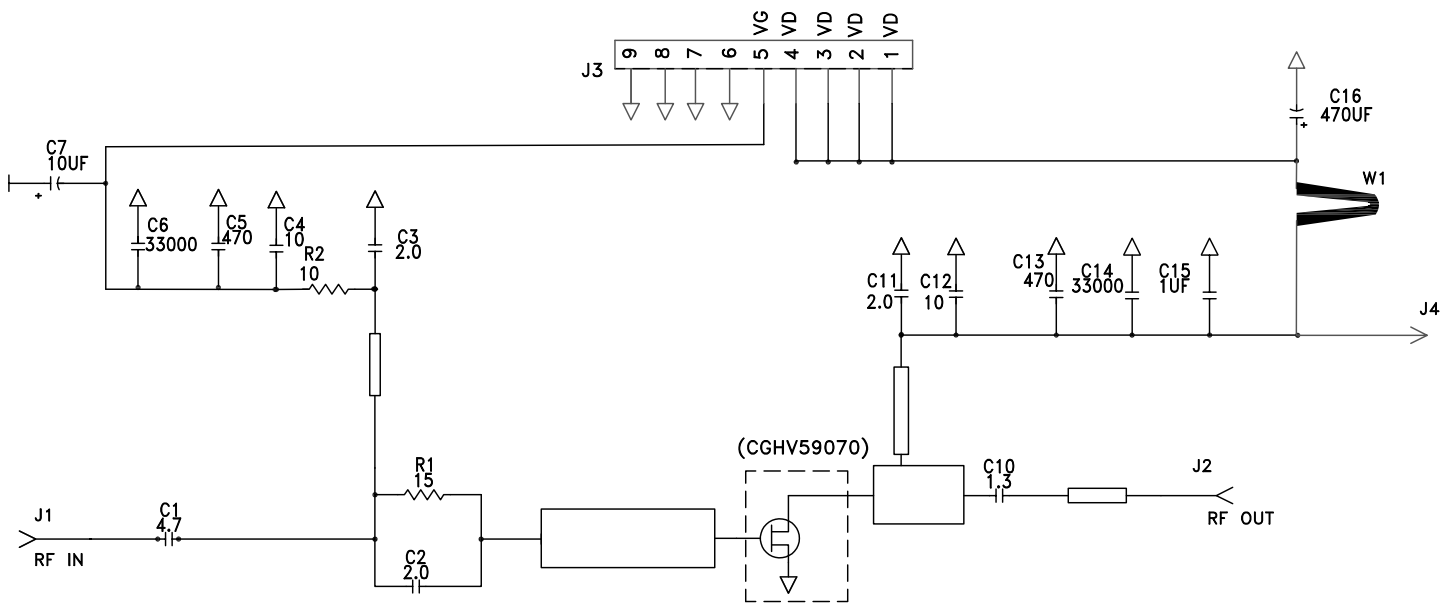
Notes:
¹ $V_{DD} = 50\text{ V}$, $I_{DQ} = 150\text{ mA}$ in the 440224 package
² Optimized for power gain, P_{SAT} and PAE
³ When using this device at low frequency, series resistors should be used to maintain amplifier stability



CGHV59070-AMP Demonstration Amplifier Circuit Outline

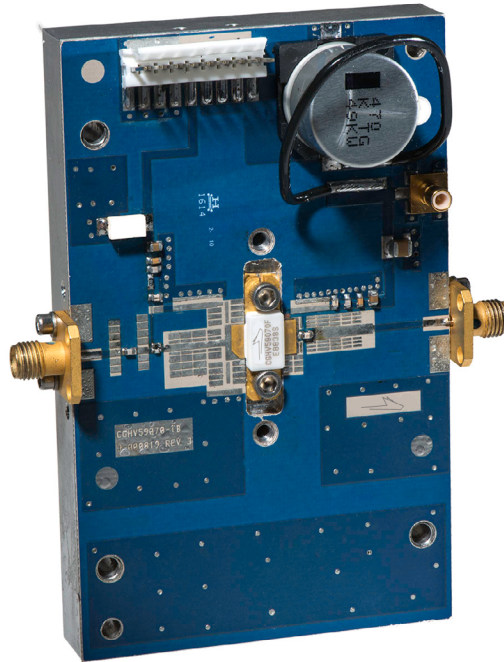


CGHV59070-AMP Demonstration Amplifier Circuit Schematic





CGHV59070-AMP Demonstration Amplifier Circuit

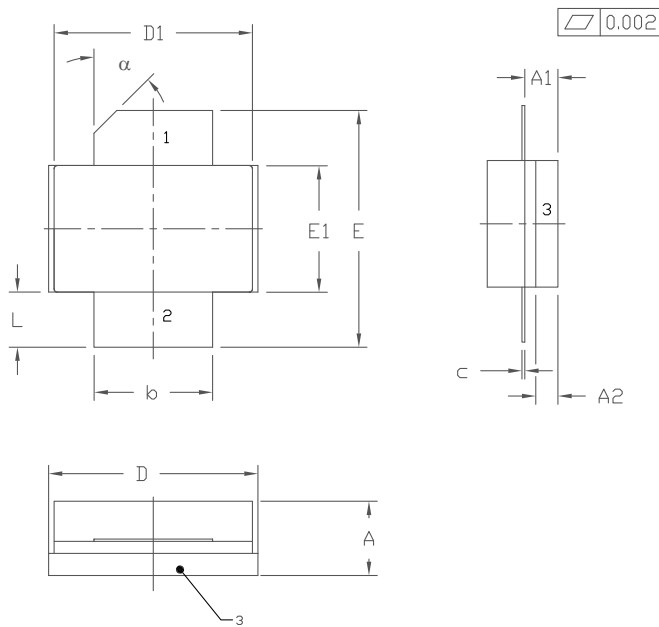


CGHV59070-AMP Demonstration Amplifier Circuit Bill of Materials

Designator	Description	Qty
R1	RES, 15, OHM, +/- 1%, 1/16W, 0402	1
R2	RES, 1/16W, 0603, 1%, 10.0 OHMS	1
C1	CAP, 4.7pF, +/-0.1pF, 0603, ATC600S	1
C10	CAP, 1.3pF, +/-0.1pF, 0603, ATC600S	1
C3, C11	CAP, 2.0pF, +/-0.1pF, 0603, ATC600S	1
C2	CAP, 2.0pF, +/- 0.05pF, 0402, ATC600L	1
C4, C12	CAP, 10pF, +/-5%, 0603, ATC600S	2
C5, C13	CAP, 470pF, 5%, 100V, 0603, X	2
C6, C14	CAP, 33000pF, 0805, 100V, X7R	2
C15	CAP, 1.0μF, 100V, 10%, X7R, 1210	1
C7	CAP, 10μF 16V TANTALUM	1
W1	CABLE, 18 AWG, 4.2 inch	1
C16	CAP, 470μF, 20%, 80V, ELECT, SMD Size K	1
J1, J2	CONN, SMA, PANEL MOUNT JACK, FLANGE, 4-HOLE	2
J3	HEADER RT>PLZ .1CEN LK 9POS	1
J4	CONNECTOR; SMB, Straight, JACK, SMD	1
—	Taconic RF-35, PCB, 20 mil	1
Q1	CGHV59070	1



Product Dimensions CGHV59070P (Package Type — 440170)



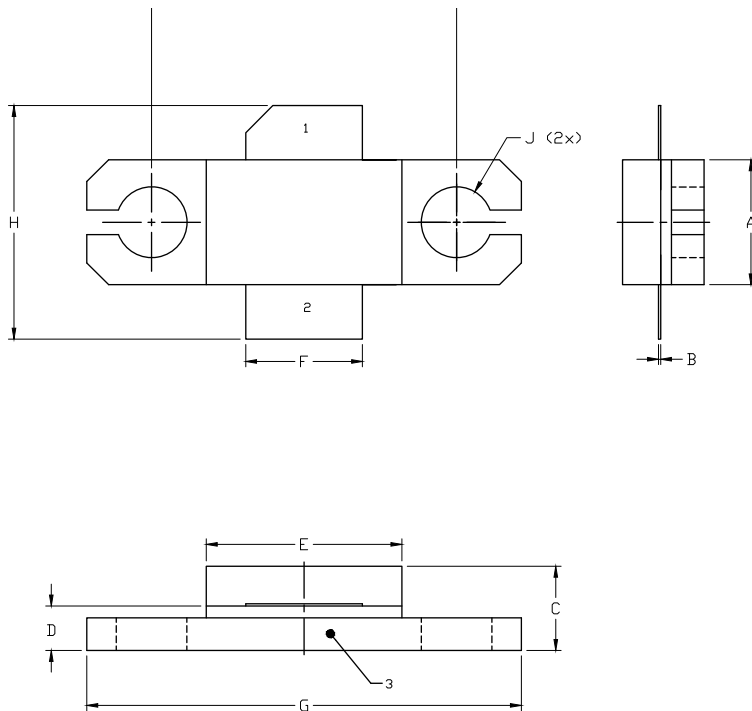
NOTES:

1. DIMENSIONING AND TOLERANCING PER ANSI Y14.5M - 1994.
2. CONTROLLING DIMENSION: INCH.
3. ADHESIVE FROM LID MAY EXTEND A MAXIMUM OF 0.020" BEYOND EDGE OF LID.
4. LID MAY BE MISALIGNED TO THE BODY OF PACKAGE BY A MAXIMUM OF 0.008" IN ANY DIRECTION.

DIM	INCHES		MILLIMETERS		NOTES
	MIN	MAX	MIN	MAX	
A	0.125	0.145	3.18	3.68	
A1	0.057	0.067	1.45	1.70	
A2	0.035	0.045	0.89	1.14	
b	0.210	0.220	5.33	5.59	2x
c	0.004	0.006	0.10	0.15	2x
D	0.375	0.385	9.53	9.78	
D1	0.355	0.365	9.02	9.27	
E	0.400	0.460	10.16	11.68	
E1	0.225	0.235	5.72	5.97	
L	0.085	0.115	2.16	2.92	2x
α	45°	REF	45°	REF	

- PIN 1. GATE
 PIN 2. DRAIN
 PIN 3. SOURCE

Product Dimensions CGHV59070F (Package Type — 440224)



NOTES:

2. CONTROLLING DIMENSION: INCH.
3. ADHESIVE FROM LID MAY EXTEND A MAXIMUM OF 0.020" BEYOND EDGE OF LID.
4. LID MAY BE MISALIGNED TO THE BODY OF THE PACKAGE BY A MAXIMUM OF 0.008" IN ANY DIRECTION.
5. ALL PLATED SURFACES ARE Ni/AU

DIM	INCHES		MILLIMETERS	
	MIN	MAX	MIN	MAX
A	0.225	0.235	5.72	5.97
B	0.004	0.006	0.10	0.15
C	0.145	0.165	3.68	4.19
D	0.077	0.087	1.96	2.21
E	0.355	0.365	9.02	9.27
F	0.210	0.220	5.33	5.59
G	0.795	0.805	20.19	20.45
H	0.400	0.460	10.16	11.68
J	∅ .130		3.30	
k	0.562		14.27	

- PIN 1. GATE
 PIN 2. DRAIN
 PIN 3. SOURCE



Part Number System

CGHV59070F

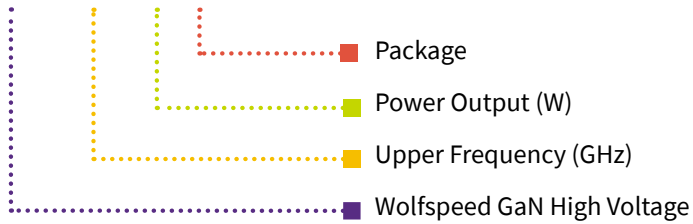


Table 1.

Parameter	Value	Units
Upper Frequency ¹	5.9	GHz
Power Output	70	W
Package	Flange/Pill	—

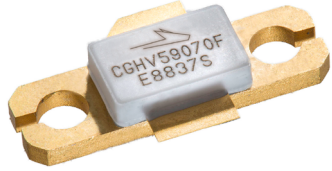

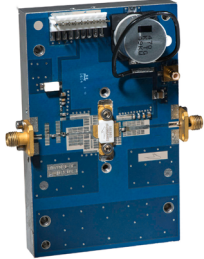
Note:

¹ Alpha characters used in frequency code indicate a value greater than 9.9 GHz. See Table 2 for value.

Table 2.

Character Code	Code Value
A	0
B	1
C	2
D	3
E	4
F	5
G	6
H	7
J	8
K	9
Examples:	1A = 10.0 GHz 2H = 27.0 GHz

Product Ordering Information

Order Number	Description	Unit of Measure	Image
CGHV59070F	GaN HEMT	Each	
CGHV59070P	GaN HEMT	Each	
CGHV59070F-AMP	Test board with GaN HEMT installed	Each	

**For more information, please contact:**

4600 Silicon Drive
Durham, NC 27703 USA
Tel: +1.919.313.5300
www.wolfspeed.com/RF

Sales Contact
RFSales@wolfspeed.com

RF Product Marketing Contact
RFMarketing@wolfspeed.com

Notes & Disclaimer

Specifications are subject to change without notice. “Typical” parameters are the average values expected by Wolfspeed in large quantities and are provided for information purposes only. Wolfspeed products are not warranted or authorized for use as critical components in medical, life-saving, or life-sustaining applications, or other applications where a failure would reasonably be expected to cause severe personal injury or death. No responsibility is assumed by Wolfspeed for any infringement of patents or other rights of third parties which may result from use of the information contained herein. No license is granted by implication or otherwise under any patent or patent rights of Wolfspeed.

© 2016-2022 Wolfspeed, Inc. All rights reserved. Wolfspeed® and the Wolfstreak logo are registered trademarks and the Wolfspeed logo is a trademark of Wolfspeed, Inc.
PATENT: <https://www.wolfspeed.com/legal/patents>

The information in this document is subject to change without notice.