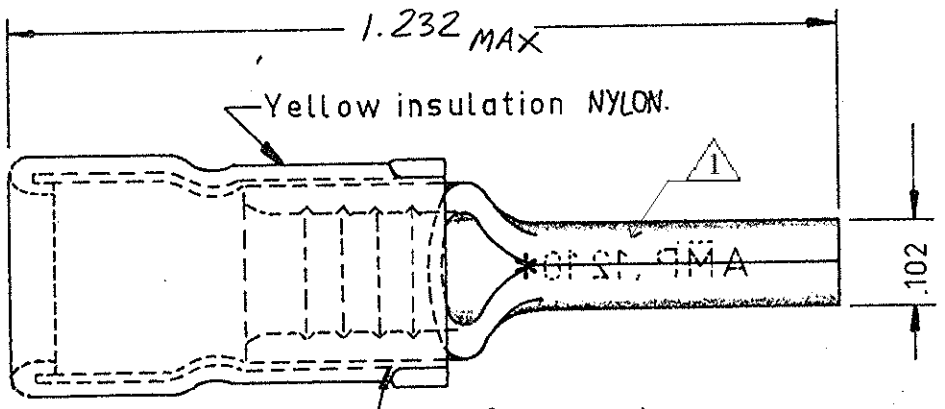


NUMBER
C-165133-EE

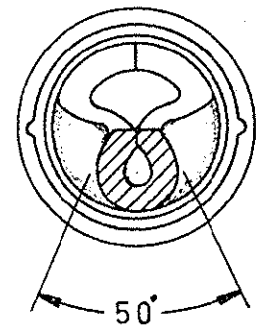
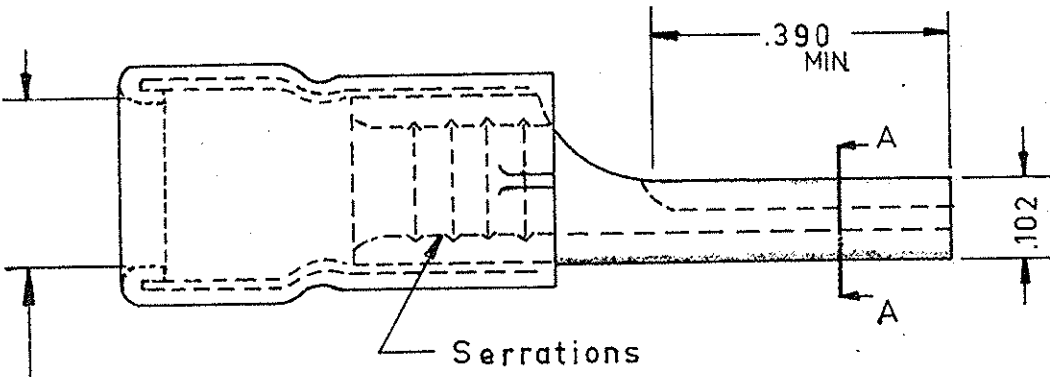
DIMENSIONS IN INCHES—DO NOT SCALE PRINT

LTR	REVISION RECORD	DATE	DWN	APVD
C1	REVISED PER ECO-14-003208	21MAR2014	NK	DR

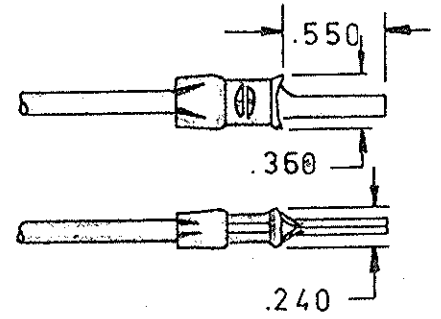


ORDER No 165133

△ STAMP AMP 12-10* APPROX AS SHOWN



VIEW A-A



FOR 170-300
ISOL.DIA.

CUSTOMER PRINT
FOR REFERENCE ONLY

©1963 BY AMP Holland N.V. ALL RIGHTS RESERVED. AMP PRODUCTS COVERED BY PATENTS AND/OR PATENTS PENDING.

-9	-8	-7	-6	-5	-4	-3	-2	-1	DWG SIZE	NUMBER	NAME	REMARKS	ITEM NO.	
										E-Copper	HEAT TREAT	FINISH		
												Tinpl. E-Cu		
										DR <i>m3lank</i> 21-2-63	DATE APP	DATE REL	DATE	
										CH <i>J. Honvick</i> 22-11-63	DATE APP	DATE	FIRST USED TOL	
										TYPE	PRINT DIST	LOC	SIZE	NUMBER
										P.I.D.G.		H	A	C-165133-EE
										SCALE	WIRE SIZE	CMA	NAME	REV
										N.T.S.	12-10	MAX	WIRE PIN PIDG	C1
										MIN.				
DESCRIPTION														