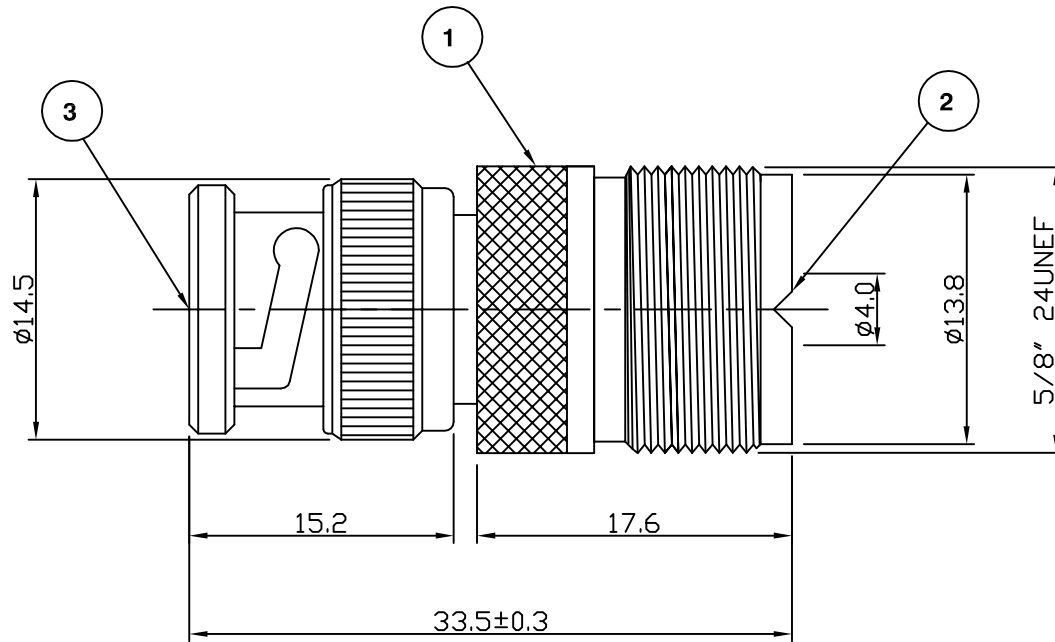


RoHS COMPLIANT



Electrical Characteristics

Nominal Impedance: Non-constant
 Frequency Range: DC to 300 MHz
 Operating Voltage (rms): 500 V maximum at sea level
 Dielectric Withstand Voltage (rms): 1500 V maximum at sea level
 Insulation Resistance: 500 megohms minimum

Mechanical Characteristics

Mating Cycles: 500 cycles minimum
 Interface Dimensions: Conform to MIL-C-39012

Environmental Characteristics

Temperature Range: -55 °C to +85 °C

| | PART | DESCRIPTION |
|---|------------|----------------------|
| 1 | Body | Brass, nickel plated |
| 2 | Dielectric | POM |
| 3 | Contact | Brass, gold plated |

| | | | |
|-------------------------|-------|-----|-----------|
| CAD Issue | SN | 2 | 02 Oct 02 |
| First Issue | SN | 1 | 10 May 01 |
| DESCRIPTION OF REVISION | APPVD | ISS | DATE |



Cinch Connectivity Solutions
 7-13 Russel Way,
 Widford Industrial Estate,
 Chelmsford, Essex,
 CM1 3AA, UK.
 Tel: +44 (0) 1245 359515
 Fax: +44 (0) 1245 358938

SCALE: Not To Scale

DIMENSIONS: mm

TOLERANCES:
 ± 0.2mm unless
 otherwise stated

DRAWN BY:

S Nash

CHECKED BY:

P Couzens

APPROVED BY:

P Couzens

DATE:

02 Oct 02

TITLE:

BNC Plug to UHF Jack

PART NUMBER:

VA205

PAGE: 1 of 1