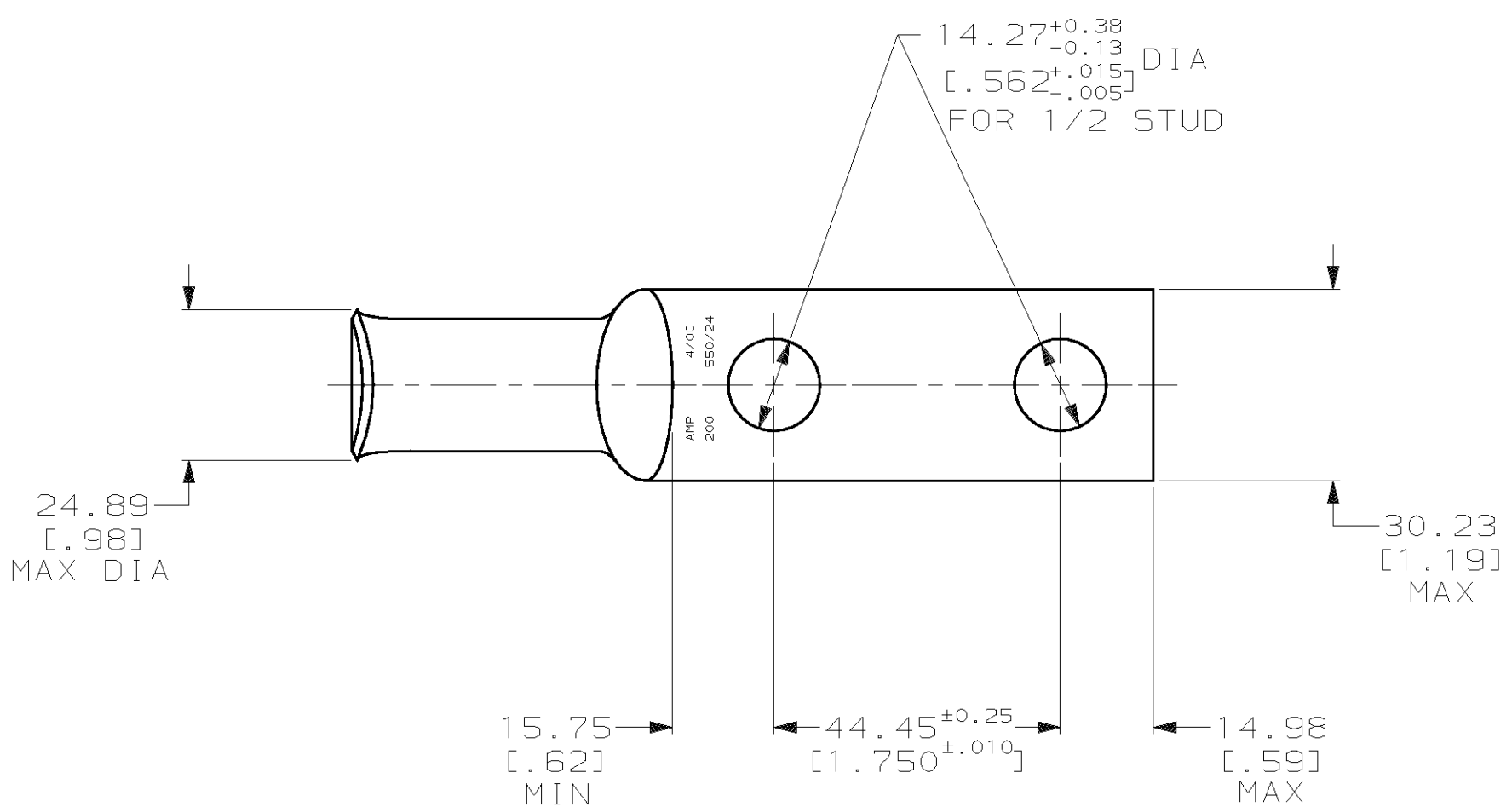
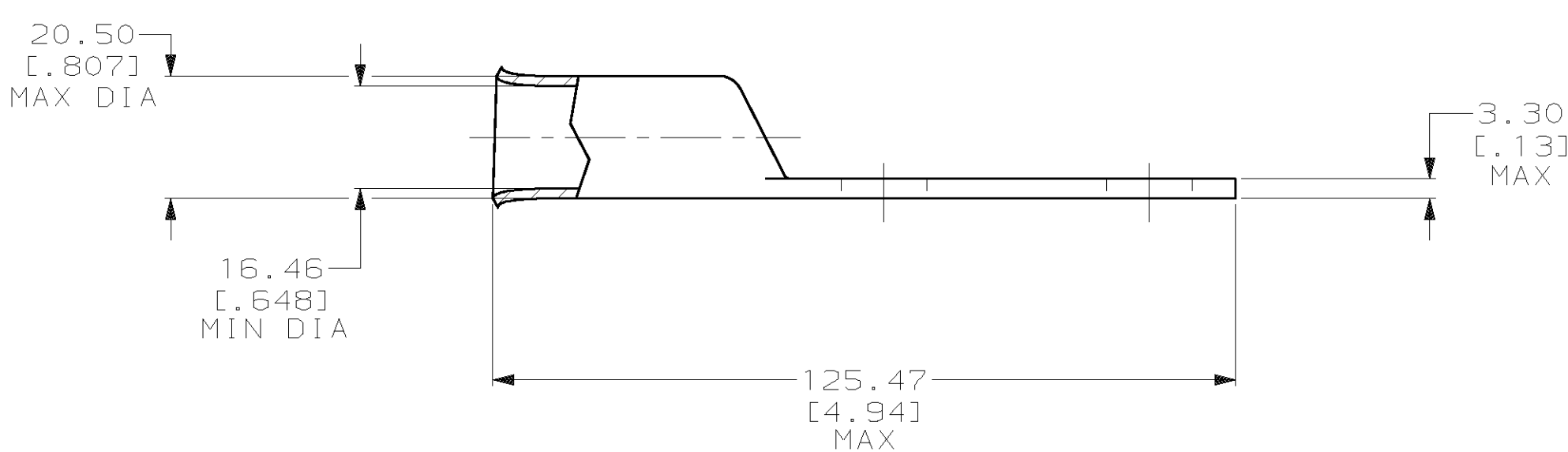


THIS DRAWING IS UNPUBLISHED. RELEASED FOR PUBLICATION ,19 .
 © COPYRIGHT 19 BY AMP INCORPORATED. ALL INTERNATIONAL RIGHTS RESERVED.

LOC		DIST		P		F		ZONE		LTR		REVISIONS		DATE	APPD
G		86								E		REV PER 0G3A-0561-01		030CT02	JR/MS



1 CIRCULAR MIL RANGE: 190,000-231,000 CM



53683

53683-2
 PART NO

DO NOT SCALE PRINT. UNLESS SPECIFIED DIMENSIONS IN mm [INCHES] TOLERANCES ON : 2 PLC DEC ± 0.51 [.020] 3 PLC DEC ± - ANGLES ± -		DR 02/28/90 DK SCHRUM		AMP Incorporated Harrisburg, PA 17105-3608	
MATERIAL COPPER ASTM B-75 ANNEALED		CHK 8/10/92 AJ KAUFMAN			
FINISH TIN PLATE 0.00381 [.000150] MIN THK PER MIL-T-10727		APPD 8/10/92 WJ VOCKROTH		NAME TERMINAL, RECTANGULAR TONGUE, AMPPOWER™ WIRE SIZE: 105.0mm ² [4/0] AWG	
THIS DRAWING IS A CONTROLLED DOCUMENT FOR AMP INCORPORATED. IT IS SUBJECT TO CHANGE AND THE CONTROLLING ENGINEERING ORGANIZATION SHOULD BE CONTACTED FOR THE LATEST REVISION.		APPD 8/10/92 CR RHOADS		DRAWING NO C=53683	
		PRODUCT SPEC -		SIZE C 00779	
		APPLICATION SPEC -		SCALE 1:1	
		WEIGHT -		SHEET 1 OF 1	