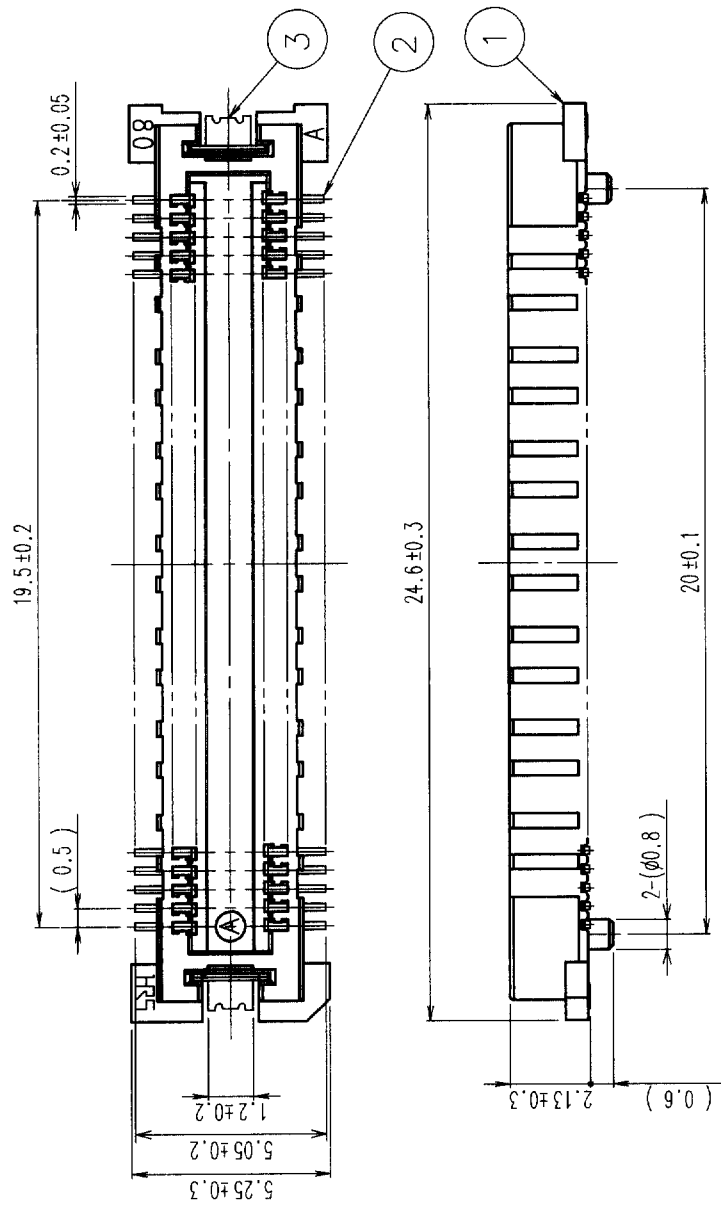
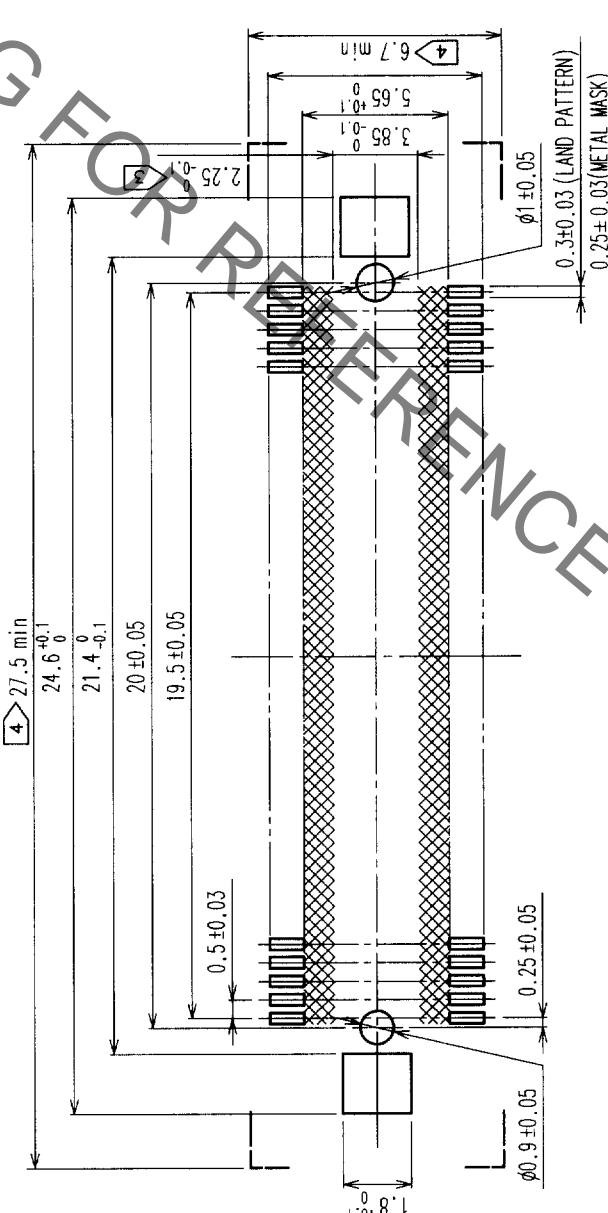


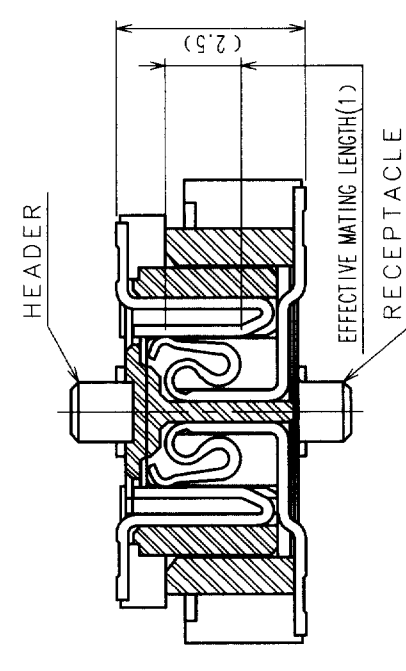
COUNT	DESCRIPTION OF REVISIONS	BY	CHKD	DATE	COUNT	DESCRIPTION OF REVISIONS	BY	CHKD	DATE
△					△				
△					△				
△					△				



RECOMMENDED LAND PATTERN DIMENSION OF PCB



SIGNAL PORTION CROSS SECTION (10:1)



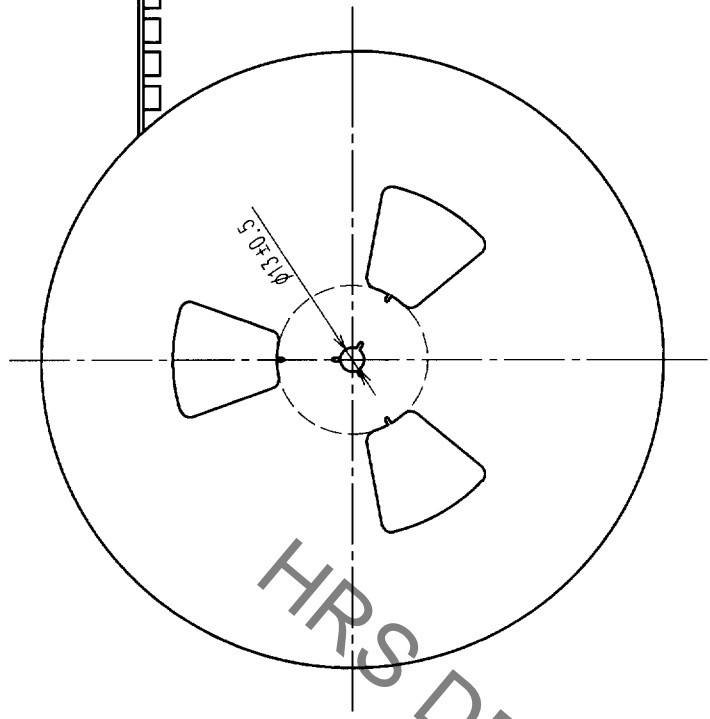
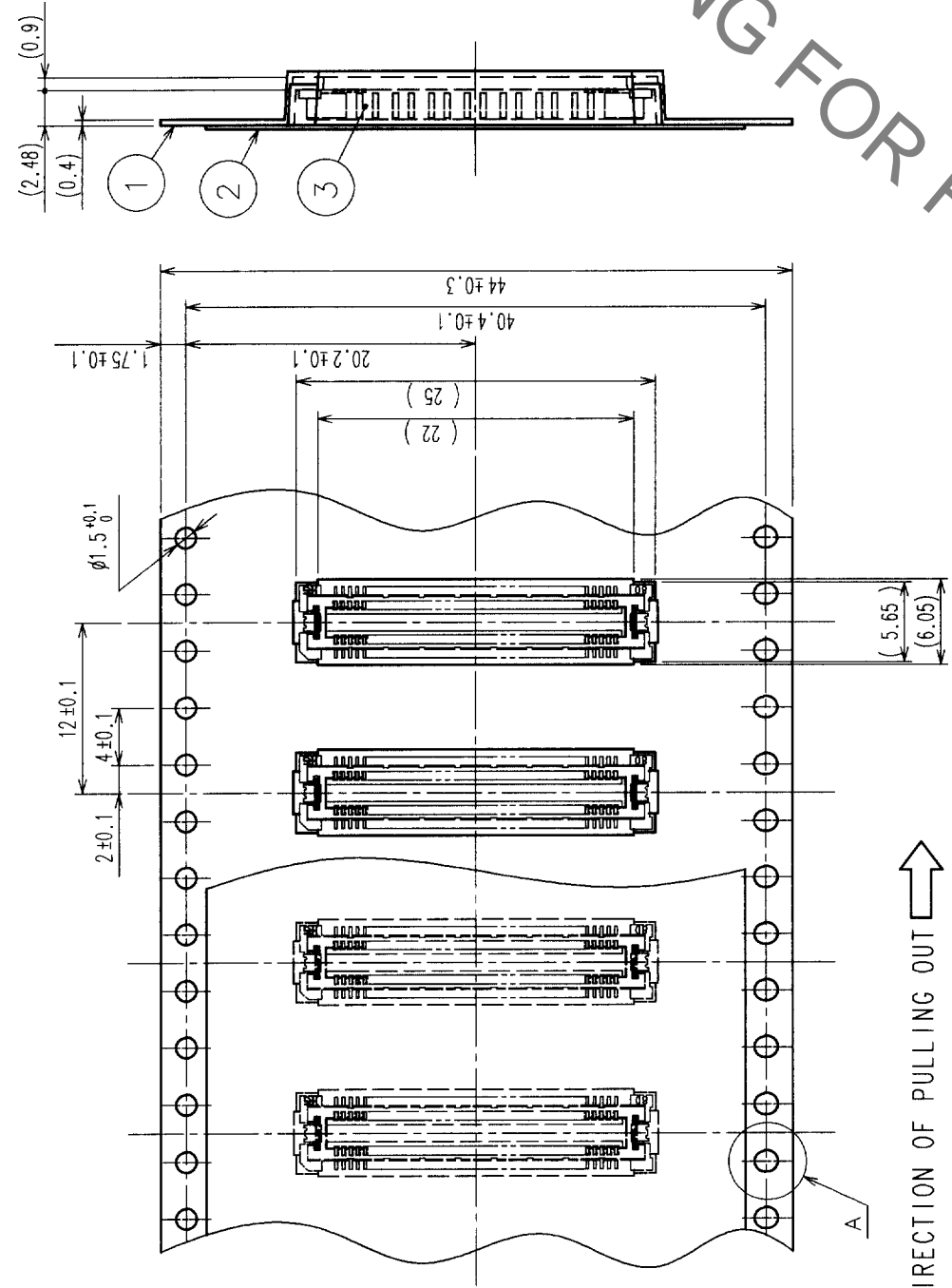
- NOTES
- 1 SMT LEAD-COPLANARITY: 0.1 MAX.
 - 2 THIS PRODUCT HAS NO POLARITY TO PATTERN FOR MOUNTING.
 - 3 MAKE SURE WIDTH OF PATTERN IS WITHIN THAT OF LAND .OR LEAD MAY TOUCH PATTERN.(THIS APPLIES TO HATCHED AREA.)
 - 4 DO NOT MOUNT OTHER DEVICES ONTO [] AREA ,OR MATING PAIR CANNOT BE MATED.
 - 5 TO BE EMBOSSED CARRIER TAPED AS SPECIFIED IN SHEET 2.

2	COPPER ALLOY	CONTACT AREA: GOLD(0.1μm) OVER NICKEL LEAD: GOLD FLASH OVER NICKEL			
1	LCP	BEIGE	UL94V-0	3	PHOSPHOR BRONZE
NO.	MATERIAL	FINISH, REMARKS	NO.	MATERIAL	FINISH, REMARKS
CODE NO. (COLD)	CL		DRAWN	DESIGNED	CHECKED
			H. Yamaguchi / H. Yamaguchi / H. Okawa '02.03.23 / '02.03.23 / '02.03.23		
			DRAWING NO.	PART NO.	
			EDC3-152439-01	FX11A-80P-SV(21)	
			SCALE	UNITS	
			5 : 1	mm	
			CODE NO. CL573-0548-0-21 HIROSE ELECTRIC CO.,LTD.		

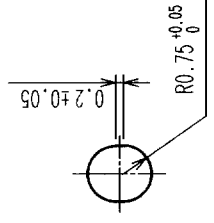
TO	
PCK	

COUNT	DESCRIPTION OF REVISIONS	BY	CHKD	DATE	COUNT	DESCRIPTION OF REVISIONS	BY	CHKD	DATE
△									
△									
△									

REELED DIMENSION(FREE)



A (5 : 1)



- NOTES
- 1 REEL: 1000 CONNECTORS.
 - 2 MINIMUM 10 COMPARTMENTS FROM BOTH REEL ENDS REMAIN EMPTY.
 - 3 THIS PRODUCT HAS NO POLARITY TO TAPE AND REEL PACKAGING.

NO.	PET	TOP COVER TAPE	NO.	FINISH, REMARKS	FINISH, REMARKS
2	PS	EMBOSSED CARRIER TAPE	3	(CONNECTOR)	
NO.		MATERIAL	FINISH, REMARKS		MATERIAL
CODE NO. (OLD)		CL	NO.	DESIGNED	CHECKED
			NO.	APPROVED	RELEASED
DRAWING FOR PACKING			DRAWN		
			DESIGNED		
			CHECKED		
			APPROVED		
			RELEASED		
DRAWING NO.		PART NO.		FINISH, REMARKS	
EDC3-152439-01		FX11A-80P-SV(21)			
SCALE		CODE NO.			
2 : 1		CL573-0548-0-21			
UNITS		HRS			
MM		HIROSE ELECTRIC CO., LTD			

TO	
PCK	