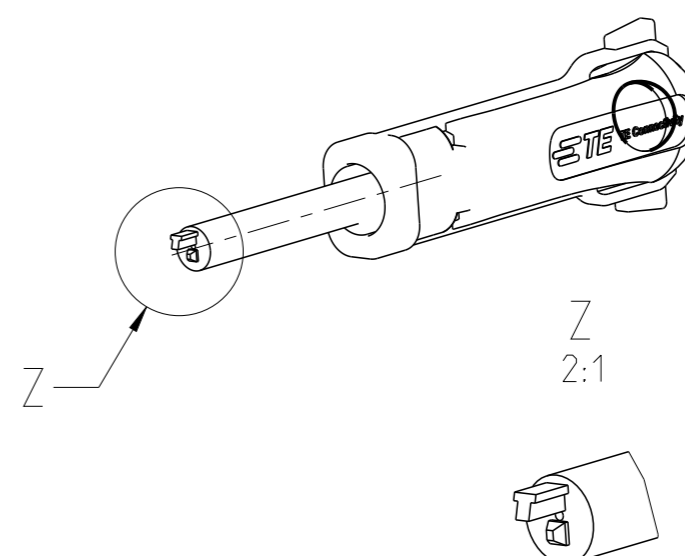
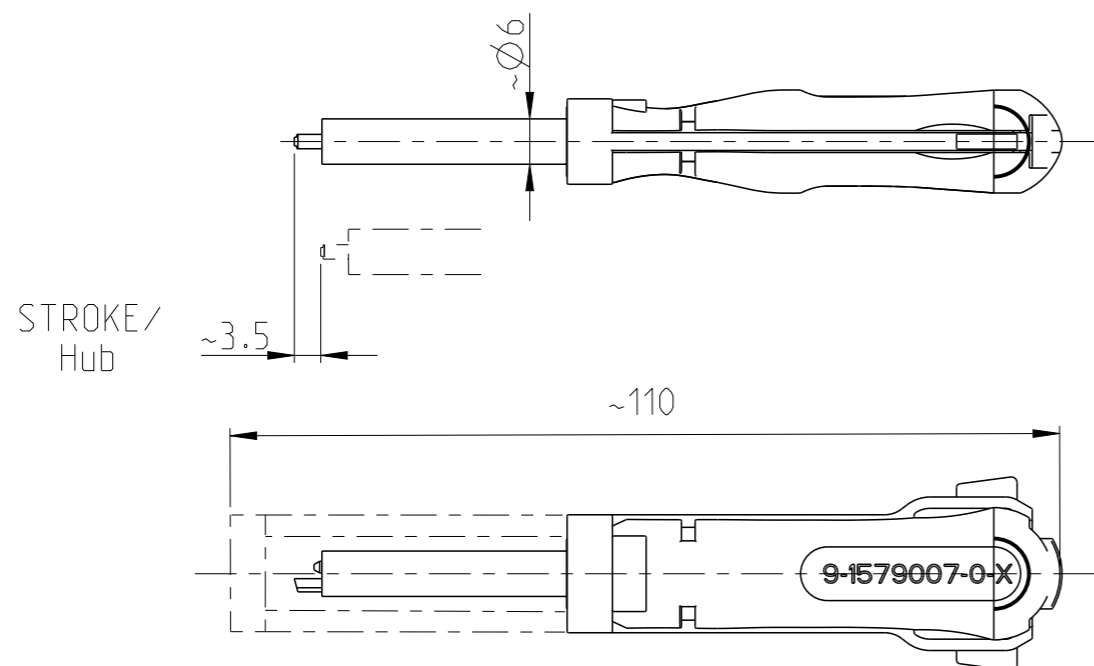
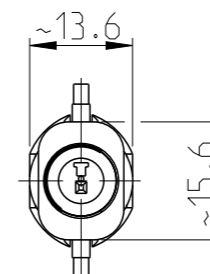
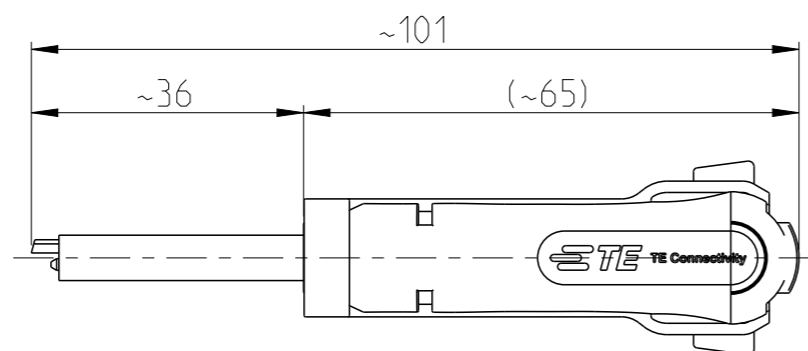


REVISIONS

P	LTR	DESCRIPTION	DATE	DWN	APVD
	A	Initial release	25JAN2017	RG	GS



Anwendungsbereich / Application range

Contact: 1418806

Connector: 638514, 638517, 638518, 1488533, (1355513), 1418805

Seal: 1326024, 1326025, 638645-1

Application Specification: 114-18720

THIS DRAWING IS A CONTROLLED DOCUMENT.

DIMENSIONS: mm



TOLERANCES UNLESS OTHERWISE SPECIFIED:

0 PLC	±
1 PLC	±
2 PLC	±
3 PLC	±
4 PLC	±
ANGLES	±1°

MATERIAL

FINISH

DWN 25JAN2017

R. Germann

CHK 25JAN2017

R. Germann

APVD 25JAN2017

G. Stegmayer

PRODUCT SPEC

-

APPLICATION SPEC

-

WEIGHT

-

CUSTOMER DRAWING



NAME EXTRACTION TOOL
Entriegelungswerkzeug

SIZE CAGE CODE DRAWING NO RESTRICTED TO

A3 00779 C-9-1579007-0

SCALE 1:1 SHEET 1 OF 1 REV A