



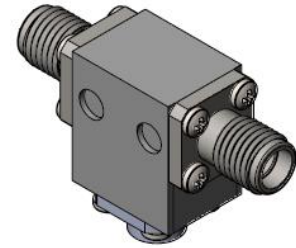
## Part Number: DMI6018

### Electrical Specifications

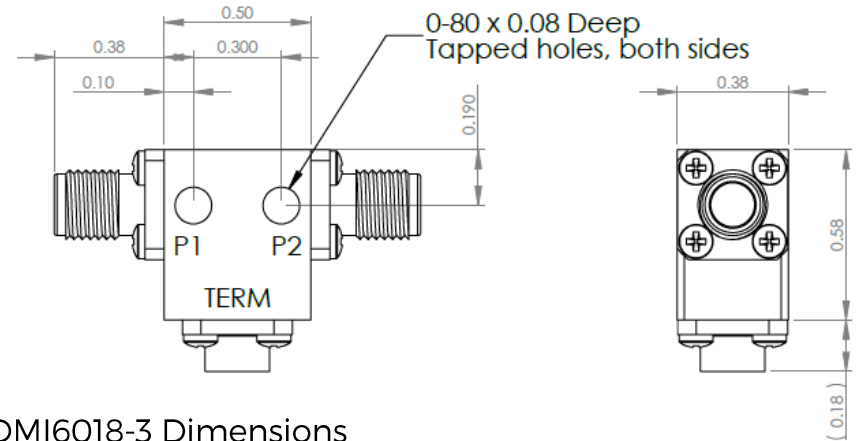
Frequency Range (GHz):	6.0 – 18.0
Isolation (dB):	14 MIN
Insertion Loss (dB):	1.0 MAX
VSWR:	1.5:1 MIN
Forward Power (W):	20 AVG 25 PK
Reflective Power (W):	2 AVG

### Mechanical/Environmental Specifications

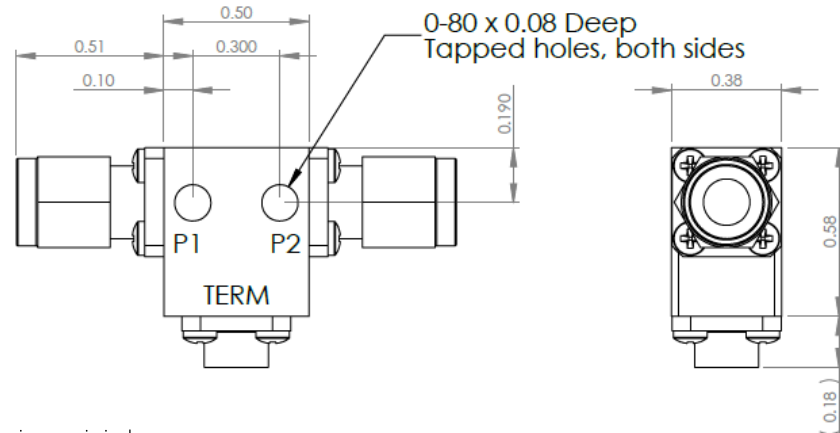
Connector Type:	SMA
Connector Body:	Passivated stainless steel
Connector Pin:	Gold plated copper
Load Body:	Brass
Magnetic Shunt:	Nickel plated CRS
Operational Temp:	0°C to +85°C
Weight (oz)	0.5 MAX



### DMI6018 Dimensions



### DMI6018-3 Dimensions



Dimensions are in inches  
Tolerance

XX ±0.03  
XXX ±0.010

Type of Device	PN Suffix	Connector Configuration Input / Output	PN Example
Single and Dual Junction Isolator, 2-Port Device	N/A	Female / Female	D3I6018
	-1	Male / Female	D3I6018-1
	-2	Female / Male	D3I6018-2
	-3	Male / Male	D3I6018-3



# MEASURED DATA

Part Number: DMI6018, +25°C

