

ZOHO Series

Outdoor LED Pole Lights



480W SF

Features

- Phillip Lumileds Chip, High CRI
- DLC Premium listed
- Up to 130 lumens per watt
- Meanwell IP65 Driver
- Available in Slip fitter
- Fits any application

Recommended Use

- Security / Wide Open Areas
- Streets / Parking Lots
- Outdoor Basketball / Badminton / Tennis Courts
- Football Field / School Playground, Stadium
- Community Leisure Entertainment Plaza, Road Lamp

Qualification



Advantage

- No UV or IR in the beam
- Easy to install and operate
- Energy saving, long lifespan
- Light is soft and uniform, safe to eyes
- Instant start, NO flickering, NO humming
- Green and eco-friendly without mercury

Input Voltage

- 100-277Vac



ZOHO 2nd Gen Series

Product

LED ZOHO 2nd Gen Pole Light	
SKU #	150033
MODEL #	107912
CONSUMPTION	480W
LUMENS	61500Lm
DRIVER TYPE	HLG-240H-48A (2PCS)

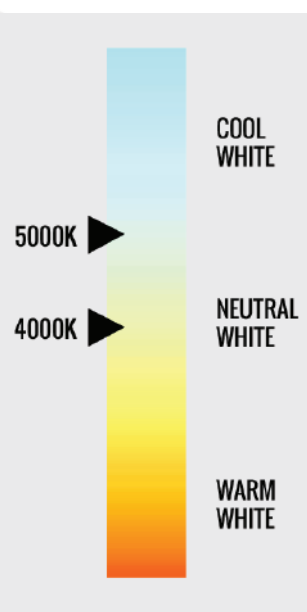
Specifications

COLOR TEMPERATURE	5000K
VIEWING ANGLE	85°-150°
INPUT VOLTAGE	100 - 277Vac, 50/60Hz
POWER FACTOR	>0.9
WATERPROOF RATING	IP65

Fixture Specifications

LED BRAND	Philips Lumileds
CCT OPTIONS	4000K & 5700K
LED TYPE	Luxeon 3030 2D (1.5W)
HOUSING	Magnesium + Aluminum
HOUSING COLOR	Black
LED QUANTITY	560 PCS
ACCESSORY	Photocell / Surge protector

CORRELATED
COLOR TEMPERATURE
(CCT)



Others

OPERATING TEMPERATURE	APPLICATION	CRI	BEAM ANGLE	DIMMABLE
-20° TO 45°	Outdoor	>70	85° -150°	No

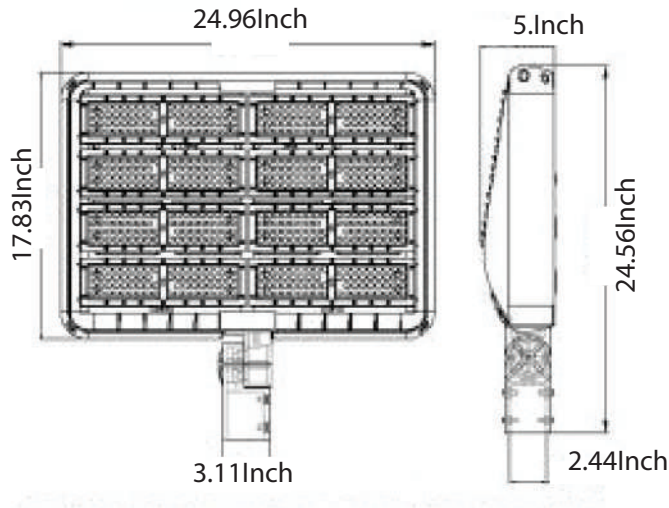
Warranty & Qualification

WARRANTY	UL LISTED	DLC
5 Year Limited	Yes	Yes

Due to continuous product improvement, information in this document is subject to change.
 Revision Date: 01/21/2019
 1939 Parker Ct Suite C Stone Mountain, GA 30087 | Phone: (866) 786-1117 |
www.beyondledtechnology.com

ZOHO 2nd Gen Series

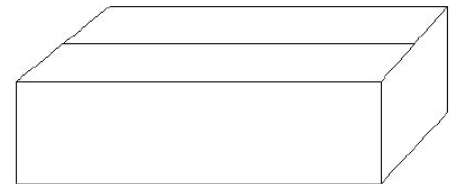
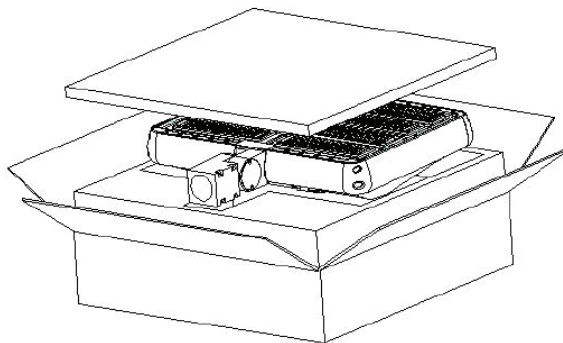
Drawing



300W SA

Package

BOX	Lamps Net Weight	SIZE	QTY / CARTON	Weight/Carton
Outer Box SF	38.5 lbs	28.1" x 27.7" x 7.6"	1 PC	45.1 lbs



Notice For User

- Please turn off power before install or change assembly parts.
- The input voltage and lamps should be matched, after connecting the power line, Please make sure the wiring section is insulated
- Licensed Electrician Installation ONLY.

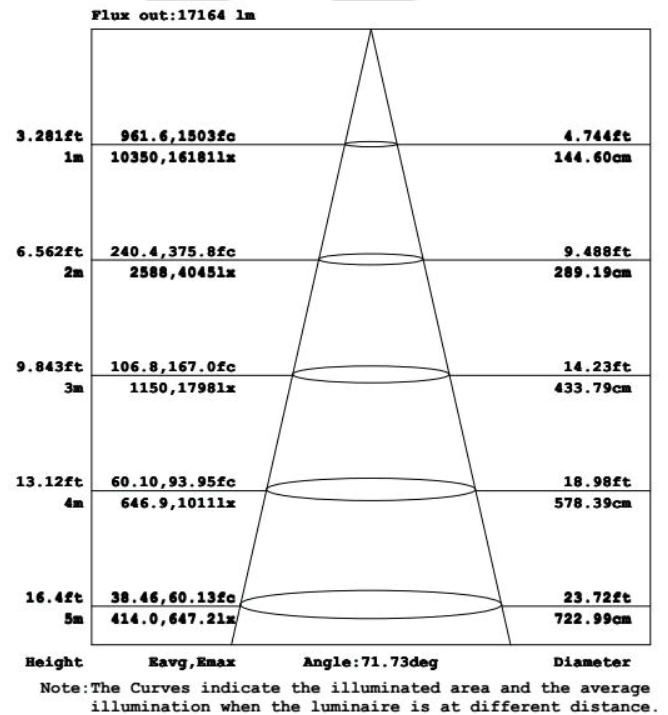
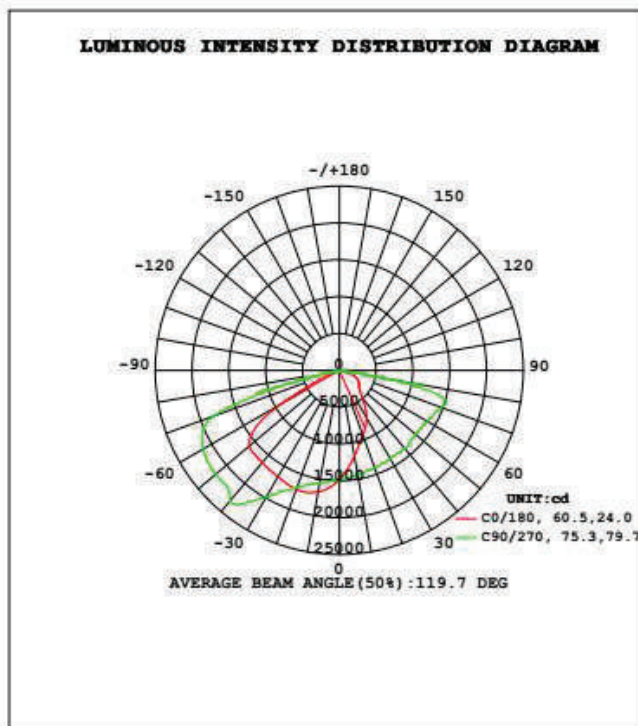
Due to continuous product improvement, information in this document is subject to change.
 Revision Date: 01/21/2019
 1939 Parker Ct Suite C Stone Mountain, GA 30087 | Phone: (866) 786-1117 |
www.beyondledtechnology.com

ZOHO 2nd Gen Series

Light Distribution Testing Parameters

DATA OF LAMP		PHOTOMETRIC DATA			
MODEL	107912	I_{max} (cd)	26713	S/MH (C0/180)	1.67
NOMINAL POWER (W)	480	LOR (%)	100.0	S/MH (C90/270)	2.06
RATED VOLTAGE (V)	120	TOTAL FLUX (lm)	60853	η UP, DN (C0-180)	0.1, 42.8
NOMINAL FLUX (lm)	60852.9	CIE CLASS	DIRECT	η UP, DN (C180-360)	0.1, 56.9
LAMPS INSIDE	1	η up (%)	0.2	CIBSE SHR NOM	1.50
TEST VOLTAGE (V)	120.0	η down (%)	99.8	CIBSE SHR MAX	1.55

LED POLE LIGHTS



Due to continuous product improvement, information in this document is subject to change.
 Revision Date: 01/21/2019
 1939 Parker Ct Suite C Stone Mountain, GA 30087 | Phone: (866) 786-1117 |
www.beyondledtechnology.com

BEYOND[®]
 LED TECHNOLOGY