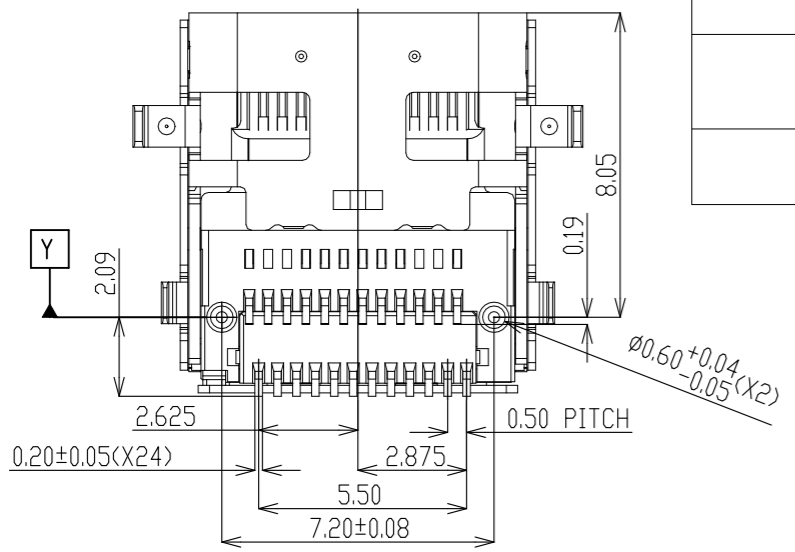
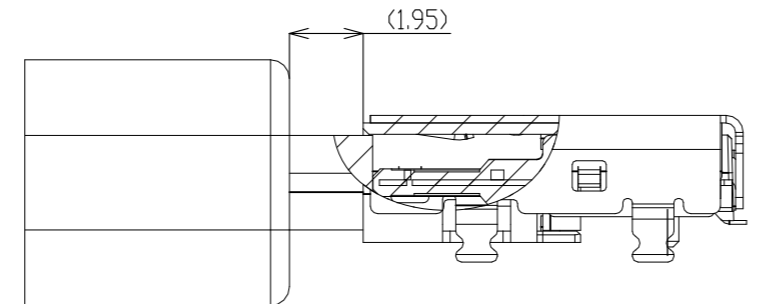
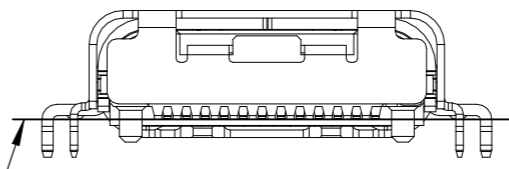
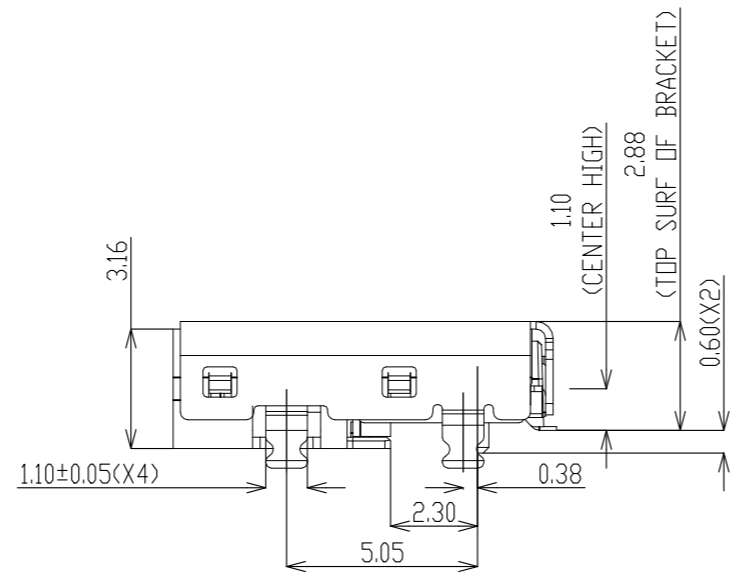
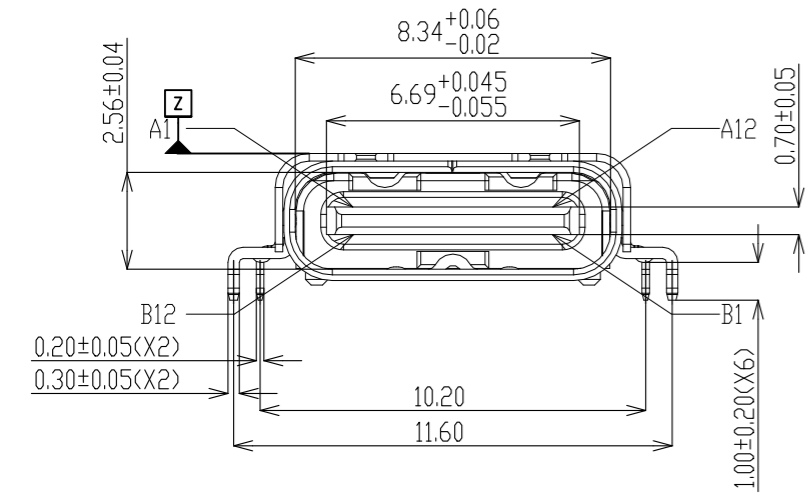
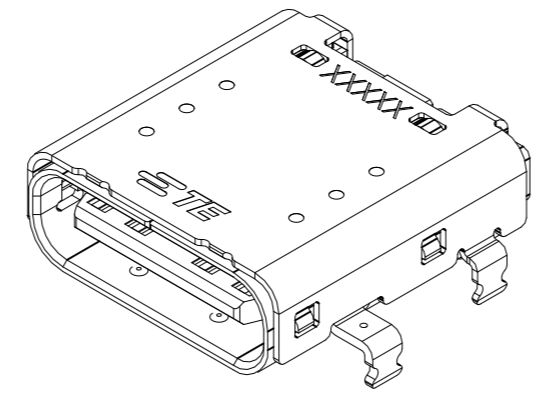
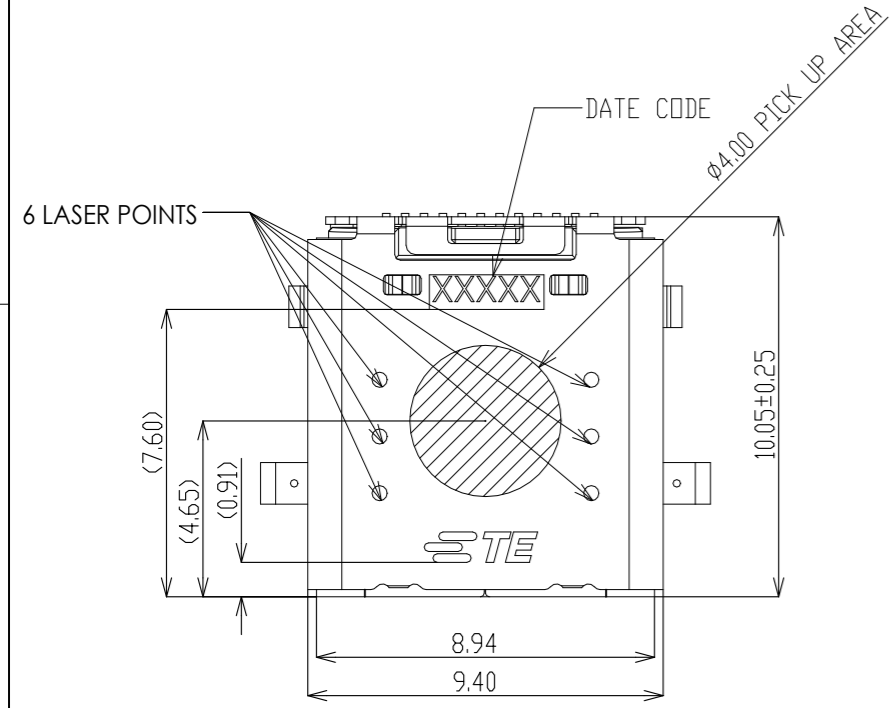


REVISIONS


P	LTR	DESCRIPTION	DATE	DWN	APVD
	A	REVISED PER ECN-22-174441	14SEP2022	AK	SZ

NOTES :

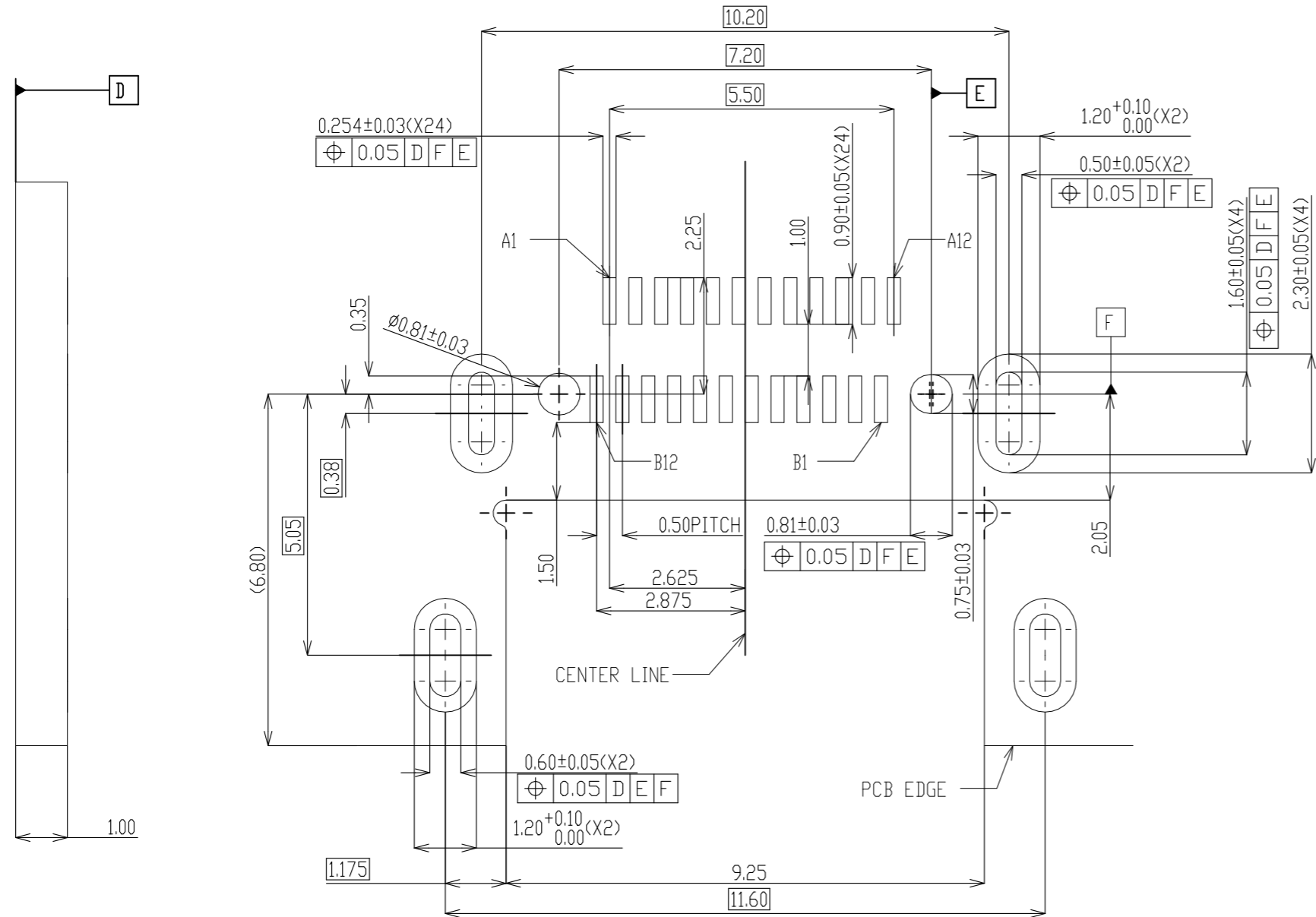
- 1.MATERIAL  
HOUSING :HIGH TEMPERATURE THERMAL PLASTIC,BLACK,UL94-V0  
CONTACT :COPPER ALLOY  
SHELL :STAINLESS STEEL  
MIDDLE PLATE:STAINLESS STEEL
- 2.PLATING  
CONTACT:0.00076mm [30u"] MIN. GOLD PLATING ON CONTACT AREA.  
0.00254mm [100u"] MIN. MATTE TIN PLATING ON SOLDER TAILS,  
UNDERPLATED 0.00127mm [50u"] MIN. NICKEL OVERALL.  
SHELL: 0.00127mm [50u"] MIN. SOLDERING NICKEL UNDERPLATED OVERALL.  
MIDDLE PLATE: SOLDERING Ni 1.27um [50u"] MIN. UNDERPLATED OVERALL.
- 3.COPLANARITY OF SMT PINS AND SOLDER TAILS:  
0.10MAX BEFORE REFLOW,0.12MAX. AFTER REFLOW
- 4.DATE CODE: YYWWD (YY: YEAR, WW: WEEK, D: DAY)



2388749-1  
P/N

THIS DRAWING IS A CONTROLLED DOCUMENT.		DWN RICHARD MA 29APR2021	 TE Connectivity		
DIMENSIONS: mm		CHK RICHARD MA 29APR2021			
TOLERANCES UNLESS OTHERWISE SPECIFIED:		APVD SUNY ZHAO 29APR2021	NAME		
0 PLC ± 0.38		PRODUCT SPEC		USB 4.0 RECEPTACLE	
1 PLC ± 0.25		APPLICATION SPEC		MID MOUNT, 24 POS,CH=1.10	
2 PLC ± 0.13		SIZE		CAGE CODE	DRAWING NO
3 PLC ± 0.05		A3		00779	C-2388749
4 PLC ± -		WEIGHT		RESTRICTED TO	
ANGLES ± -		0		-	
FINISH		CUSTOMER DRAWING		SCALE	SHEET
-		-		1:1	1 OF 3
				REV	A

P	LTR	DESCRIPTION	DATE	DWN	APVD
-	-	SEE SHEET 1	-	-	-

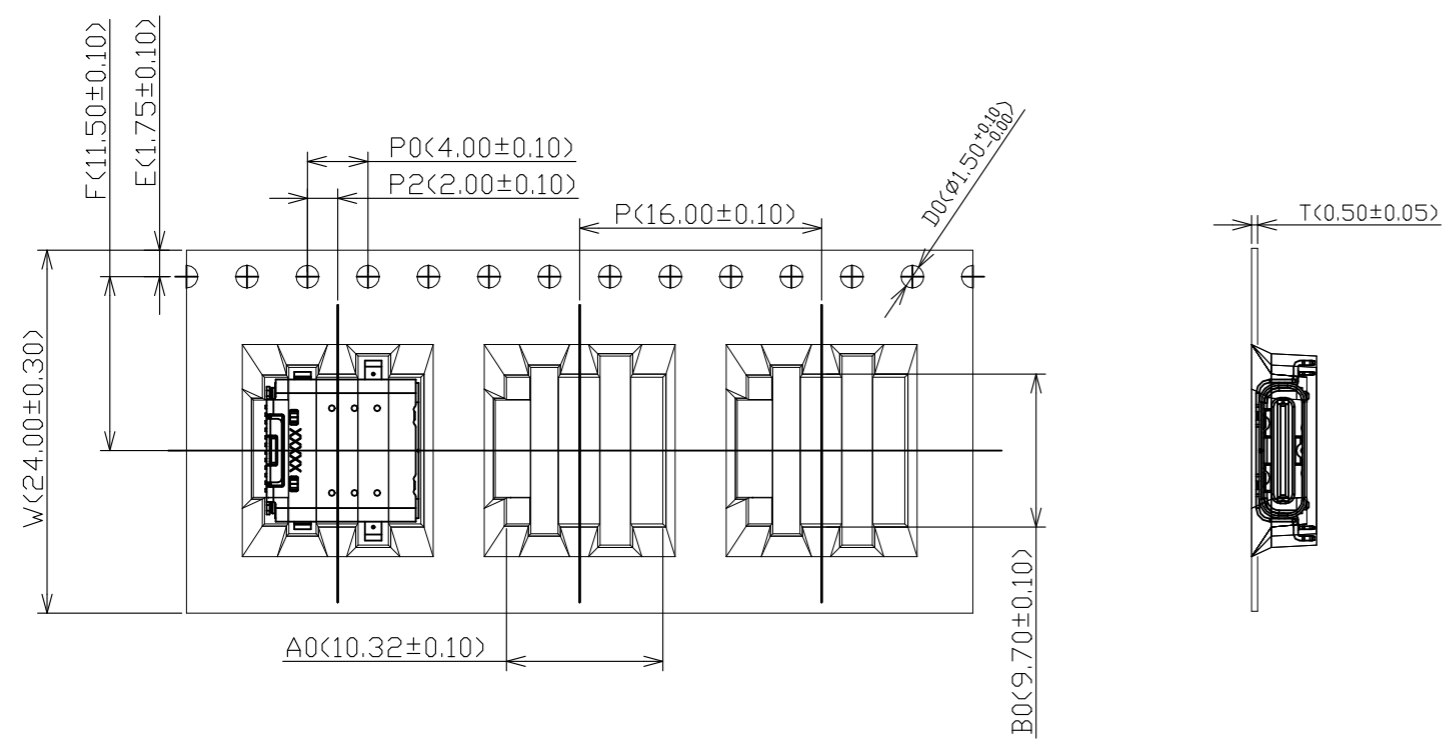


RECOMMENDED PCB LAYOUT(TOP VIEW)  
 THICKNESS 1.0mm  
 TOLERANCE ±0.05

PIN NO.	A1	A2	A3	A4	A5	A6	A7	A8	A9	A10	A11	A12
SIGNAL NAME	GND	SSTXp1	SSTXn1	VBUS	CC1	Dp1	Dn1	SBU1	VBUS	SSRXn2	SSRXp2	GND
PIN NO.	B12	B11	B10	B9	B8	B7	B6	B5	B4	B3	B2	B1
SIGNAL NAME	GND	SSRXp1	SSRXn1	VBUS	SBU2	Dn2	Dp2	CC2	VBUS	SSTXn2	SSTXp2	GND

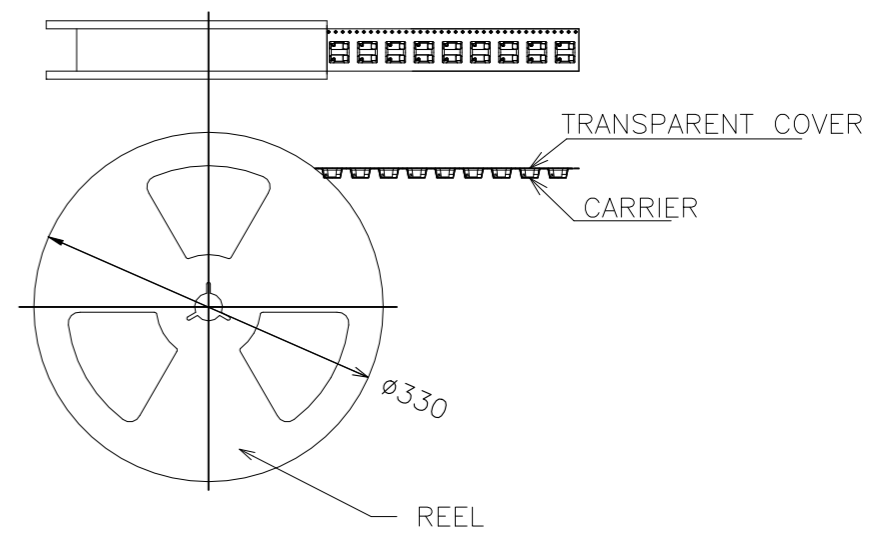
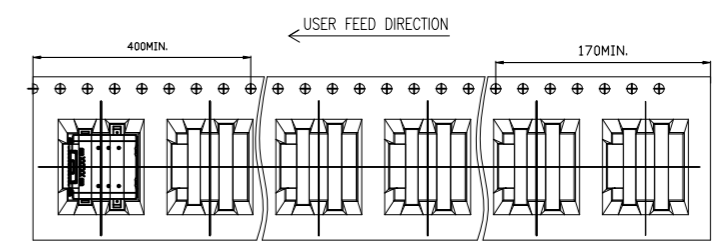
THIS DRAWING IS A CONTROLLED DOCUMENT.		DWN RICHARD MA 29APR2021	TE Connectivity USB 4.0 RECEPTACLE MID MOUNT, 24 POS,CH=1.10	
DIMENSIONS: mm		CHK RICHARD MA 29APR2021		
TOLERANCES UNLESS OTHERWISE SPECIFIED:		APVD SUNY ZHAO 29APR2021		
0 PLC ± 0.38 1 PLC ± 0.25 2 PLC ± 0.13 3 PLC ± 0.05 4 PLC ± - ANGLES ± -		NAME		
MATERIAL		FINISH	PRODUCT SPEC 108-160251	SIZE
			APPLICATION SPEC	CAGE CODE
			WEIGHT	DRAWING NO
			CUSTOMER DRAWING	RESTRICTED TO
			SCALE 1:1	SHEET 2 OF 3
			REV A	

REVISIONS					
P	LTR	DESCRIPTION	DATE	DWN	APVD
-	-	SEE SHEET 1	-	-	-



NOTES:

1. USED ON USB TYPE C RECEPTACLE CONNECTOR PRODUCTS.
2. PACKAGE:600PCS/REEL, 10REELS/BOX
3. MATERIAL:TRANSPARENT CONDUCTIVE POLYSTYRENE ALLOY
4. APPLICABLE DOCUMENTS:EIA-481-C
5. AFTER UNREELING DIRECTION MUST HAVE 11 PCS BLANK.(170mm Min)
6. BEFORE UNREELING DIRECTION MUST HAVE 25 PCS BLANK.(400mm Min)



THIS DRAWING IS A CONTROLLED DOCUMENT.		DWN RICHARD MA 29APR2021	<b>STE</b> TE Connectivity														
DIMENSIONS: mm		CHK RICHARD MA 29APR2021															
TOLERANCES UNLESS OTHERWISE SPECIFIED:		APVD SUNY ZHAO 29APR2021	NAME														
<table border="1"> <tr><td>0 PLC</td><td>± 0.38</td></tr> <tr><td>1 PLC</td><td>± 0.25</td></tr> <tr><td>2 PLC</td><td>± 0.13</td></tr> <tr><td>3 PLC</td><td>± 0.05</td></tr> <tr><td>4 PLC</td><td>± -</td></tr> <tr><td>ANGLES</td><td>± -</td></tr> </table>		0 PLC	± 0.38	1 PLC	± 0.25	2 PLC	± 0.13	3 PLC	± 0.05	4 PLC	± -	ANGLES	± -	PRODUCT SPEC 108-160251		USB 4.0 RECEPTACLE MID MOUNT, 24 POS,CH=1.10	
0 PLC	± 0.38																
1 PLC	± 0.25																
2 PLC	± 0.13																
3 PLC	± 0.05																
4 PLC	± -																
ANGLES	± -																
MATERIAL		APPLICATION SPEC		SIZE	RESTRICTED TO												
FINISH		WEIGHT		CAGE CODE	DRAWING NO												
-		-		A3 00779	C-2388749												
CUSTOMER DRAWING			SCALE	SHEET	REV												
			1:1	3 OF 3	A												