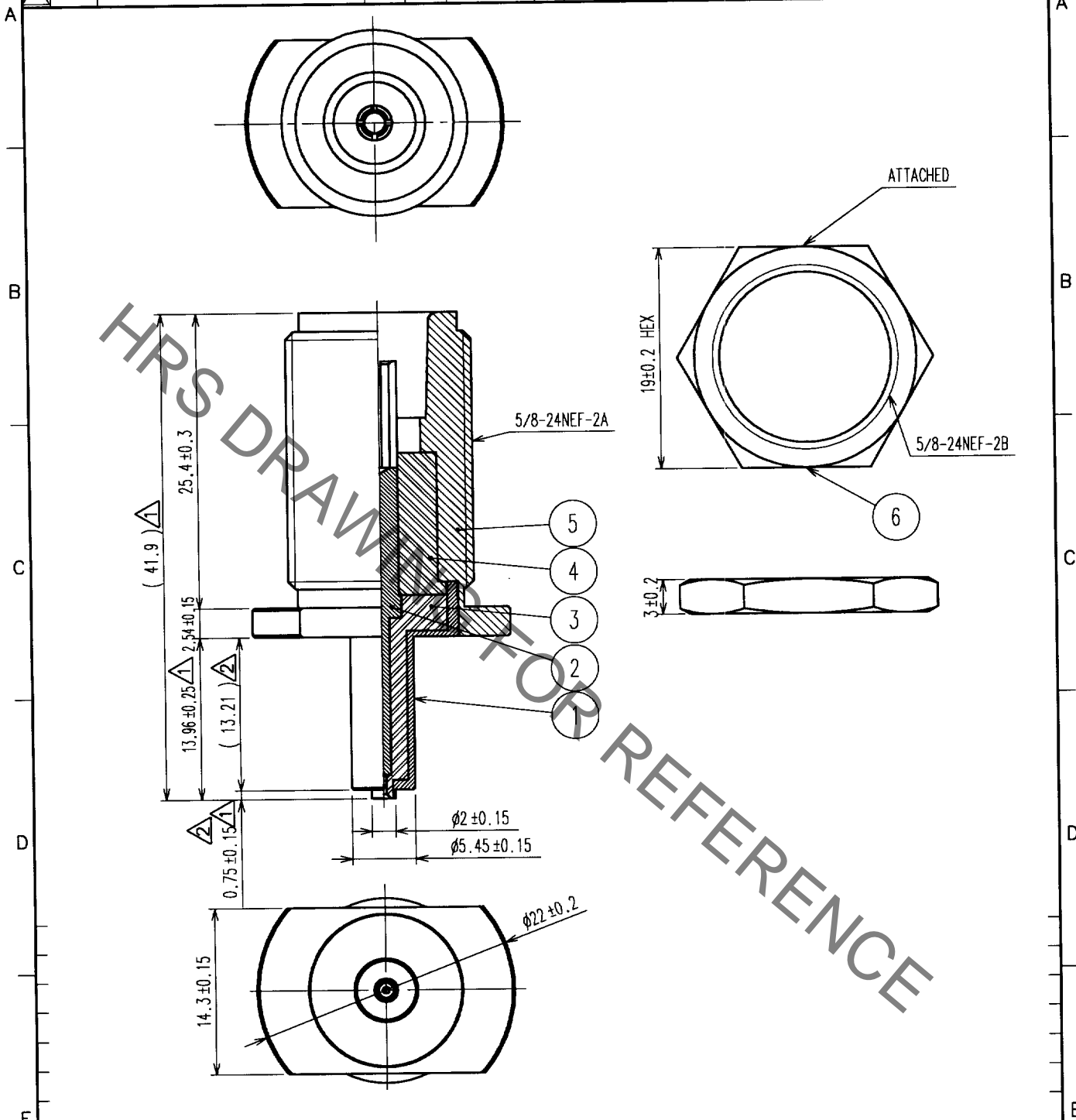


May.1.2023 Copyright 2023 HIROSE ELECTRIC CO., LTD. All Rights Reserved.  
In case of consideration for using Automotive equipment / device which demand high reliability, kindly contact our sales window correspondents.

1	2		3		4				
COUNT	DESCRIPTION OF REVISIONS	BY	CHKD	DATE	COUNT	DESCRIPTION OF REVISIONS	BY	CHKD	DATE
8	RE-J-02089	R.S	R.K	03.10.09					. .
3	RE-J-02126	R.S	R.K	'04.2.2					. .
									. .



3	PTFE		6	BRASS	NICKEL PLATING <sup>1</sup>
2	BERYLLIUM COPPER <sup>1</sup>	GOLD PLATING <sup>1</sup>	5	BRASS	NICKEL PLATING <sup>1</sup>
1	PHOSPHOR BRONZE	GOLD PLATING <sup>1,2</sup>	4	PTFE	
NO.	MATERIAL	FINISH, REMARKS	NO.	MATERIAL	FINISH, REMARKS

CODE NO. (OLD)	DRAWN	DESIGNED	CHECKED	APPROVED	RELEASED
	K.HIDA	K.HIDA	K.KAWAMURA	Y.MIYAKE	
	'02.11.28	'02.11.28	'02.11.28	'02.11.29	

SCALE	DRAWING NO.	PART NO.
2 : 1	EDC4-180297	MS-156R-NJ-1
UNITS	HIROSE ELECTRIC CO., LTD.	CODE NO.
mm	<b>HRS</b>	CL358-0176-9

TO
RFD