

# RF433R

SKU:U113



SYN531R  
ASK modulation  
Receive rate: 1Kbps  
-109dBm High Sensitivity  
Working Frequency: 433.92MHz

**GPIO**  
INTERFACE

## Description

**RF433R** is an RF wireless radio frequency receiver, using SYN531R radio frequency receiver, working frequency is 433.92MHz (using ASK modulation) commonly used by wireless controllers, built-in PCB antenna, stable receiving signal distance up to 10M, typical receiving sensitivity It is -109dBm. The exquisite and compact housing design can be embedded in a variety of radio frequency remote control applications. It is suitable for security alarm, wireless automatic meter reading, home and industrial automation, remote remote control, wireless data transmission and other system fields.

## Product Features

- Operating frequency: 433.92MHz
- -109dBm high sensitivity, receiving rate 1Kbps (ASK modulation)
- PCB antenna
- Excellent selectivity and noise suppression

## Include

- 1x RF433R Unit
- 1x HY2.0-4P Cable

## Applications

- Building Automation
- Security alarm
- Home and industrial automation
- Remote control
- Wireless data transmission and other system fields

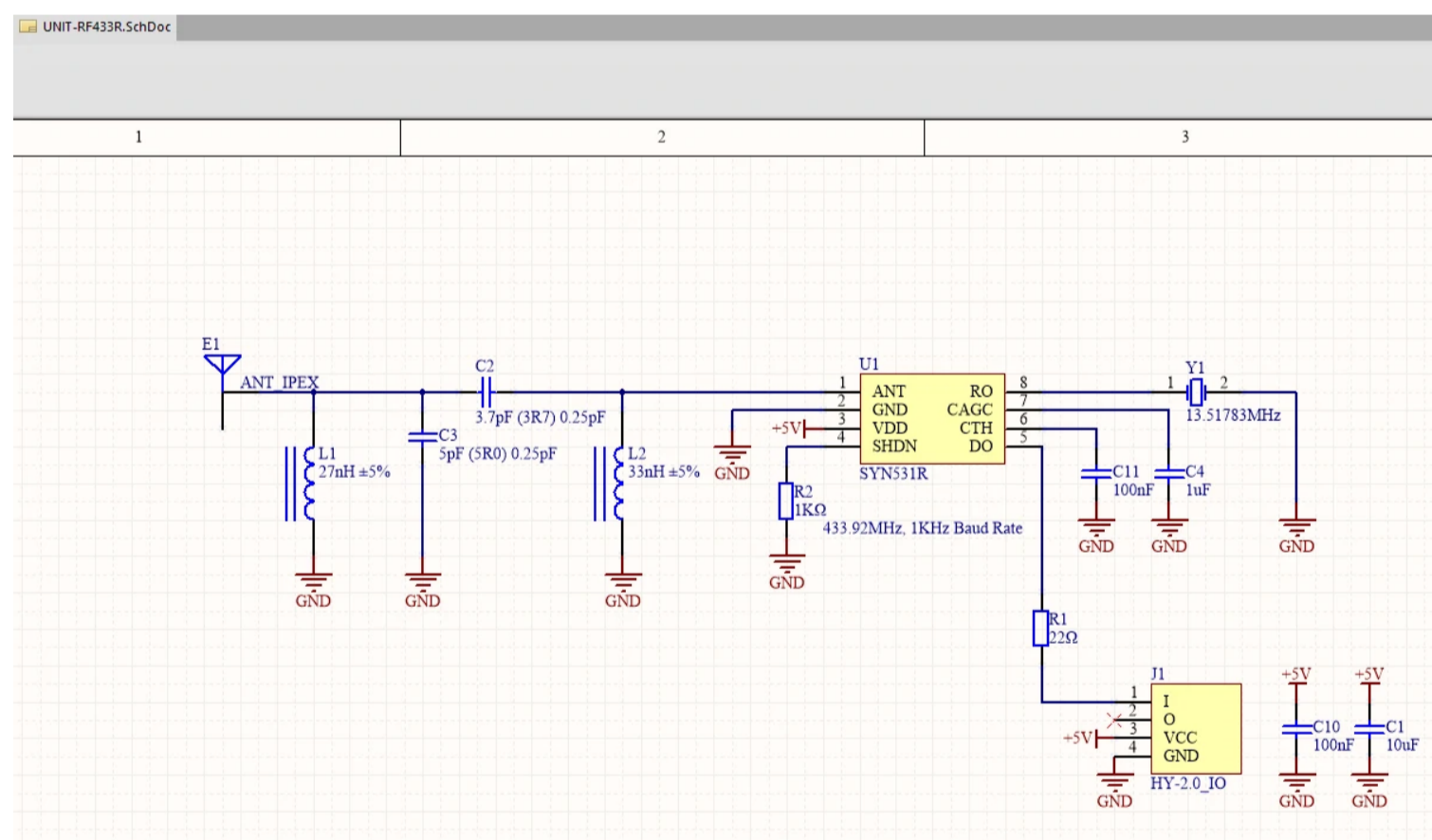
# Specification

Resources	Parameter
Receiver IC	SYN531R
Working current	8mA
Stable communication distance	10M
Typical receiving sensitivity	-109dBm
Antenna type	PCB antenna
Net weight	6g
Gross weight	21g
Product Size	48*24*8mm
Package Size	67*53*12mm

# Related Link

- [Datasheet](#)
  - [SYN531R](#)

# Schematic



# PinMap

M5Core ( PORT B )	GPIO36	5V	GND
RF433R	RX	5V	GND

# Example

## Arduino

- [RF433 T/R Example](#)

## | Video

---