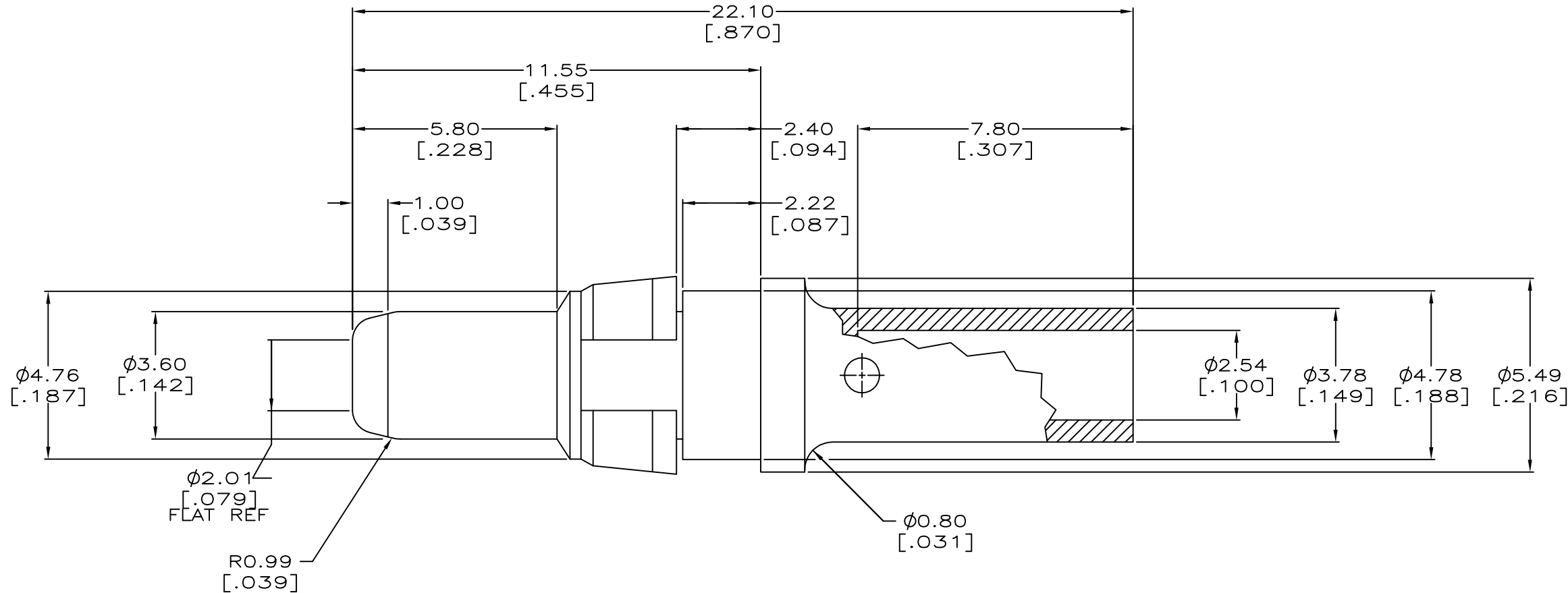


THIS DRAWING IS UNPUBLISHED. RELEASED FOR PUBLICATION. ALL RIGHTS RESERVED.

LOC	DIST	REVISIONS					
AD	25	P	LTR	DESCRIPTION	DATE	DWN	APVD
		D		REV PER EC 0U1B-0221-01	08 NOV 01	BC	CR
		E		REV PER EC R-15-012900	08 SEP 15	DS	FY



OBSOLETE

- △ CONTACT: BRASS.  
RETAINING RING: BERYLLIUM COPPER.
- △ CONTACT: 0.76 μm[.000030] MIN GOLD  
OVER 1.27 μm[.000050] MIN NICKEL.
- 3. WIRE BARREL WILL ACCEPT 12-14 AWG WIRE.
- 4. MATES WITH 148221-1.
- 5. RECOMMENDED CRIMPING TOOL: DANIELS TOOL  
#M300-BT, POSITIONER PART NUMBER SP689,  
SETTING #1, STRIP LENGTH 8.13[.320].

148248-1  
PART NUMBER

THIS DRAWING IS A CONTROLLED DOCUMENT.		DWN	B. CARBO	22 MAR 00	 TE Connectivity	
DIMENSIONS:		CHK	C. RICHARD	22 MAR 00		
INCHES		APVD	C. RICHARD	22 MAR 00		
TOLERANCES UNLESS OTHERWISE SPECIFIED: 0 PLC ± - 1 PLC ± - 2 PLC ± 0.13 [.005] 3 PLC ± - 4 PLC ± - ANGLES ± - FINISH		PRODUCT SPEC	NAME			
MATERIAL △ 1		APPLICATION SPEC	POWER CONTACT, MALE, CRIMP, 12-14 AWG, (20 AMP)			
		WEIGHT	SIZE	CAGE CODE	DRAWING NO	RESTRICTED TO
			A2	00779	C=148248	
		CUSTOMER DRAWING		SCALE	10:1	SHEET 1 of 1
				REV	E	

148248