



Coupling contactor relay, 4 NO, 24 V DC, 0.85 ... 1.85\* US, with varistor plugged on, Size S00, screw terminal

|   |   |
|---|---|
| <b>product brand name</b>   | SIRIUS  |
| <b>product designation</b>  | Coupling relay for switching auxiliary circuits |
| <b>product type designation</b>   | 3RH2  |
| <b>General technical data</b>   |   |
| <b>size of contactor</b>  | S00   |
| product extension auxiliary switch  | No  |
| insulation voltage with degree of pollution 3 at AC rated value                       | 690 V   |
| <b>degree of pollution</b>  | 3   |
| <b>surge voltage resistance rated value</b>   | 6 kV  |
| <b>shock resistance at rectangular impulse</b>  |   |
| • at DC   | 10g / 5 ms, 5g / 10 ms                          |
| <b>shock resistance with sine pulse</b>   |   |
| • at DC   | 15g / 5 ms, 8g / 10 ms                          |
| <b>mechanical service life (switching cycles)</b>                                     |   |
| • of contactor typical  | 30 000 000                                      |
| <b>reference code according to IEC 81346-2</b>  | K   |
| <b>Substance Prohibitance (Date)</b>  | 10/01/2009                                      |
| <b>Ambient conditions</b>   |   |
| installation altitude at height above sea level maximum                               | 2 000 m   |
| <b>ambient temperature</b>  |   |
| • during operation  | -25 ... +50 °C                                  |
| • during storage  | -55 ... +80 °C                                  |
| <b>relative humidity minimum</b>  | 10 %  |
| <b>relative humidity at 55 °C according to IEC 60068-2-30 maximum</b>                 | 95 %  |
| <b>Main circuit</b>   |   |
| <b>no-load switching frequency</b>  |   |
| • at AC   | 10 000 1/h                                      |
| • at DC   | 10 000 1/h                                      |
| <b>Control circuit/ Control</b>   |   |
| <b>type of voltage of the control supply voltage</b>                                  | DC  |
| <b>control supply voltage at DC</b>   |   |
| • rated value   | 24 V  |
| <b>operating range factor control supply voltage rated value of magnet coil at DC</b> |   |
| • initial value   | 0.85  |
| • full-scale value  | 1.85  |
| <b>design of the surge suppressor</b>   | with varistor                                   |
| <b>closing power of magnet coil at DC</b>   | 1.6 W   |

|  |               |
|--|---------------|
| <b>holding power of magnet coil at DC</b>                          | 1.6 W         |
| <b>closing delay</b>   |               |
| • at DC  | 25 ... 120 ms |
| <b>opening delay</b>   |               |
| • at DC  | 5 ... 20 ms   |
| <b>arcing time</b>   | 10 ... 15 ms  |
| <b>Auxiliary circuit</b>   |               |
| <b>number of NO contacts for auxiliary contacts</b>                | 4             |
| • instantaneous contact  | 4             |
| <b>identification number and letter for switching elements</b>     | 40 E          |
| operational current at AC-12 maximum                               | 10 A          |
| <b>operational current at AC-15</b>                                |               |
| • at 230 V rated value   | 10 A          |
| • at 400 V rated value   | 3 A           |
| • at 500 V rated value   | 2 A           |
| • at 690 V rated value   | 1 A           |
| <b>operational current at 1 current path at DC-12</b>              |               |
| • at 24 V rated value  | 10 A          |
| • at 110 V rated value   | 3 A           |
| • at 220 V rated value   | 1 A           |
| • at 440 V rated value   | 0.3 A         |
| • at 600 V rated value   | 0.15 A        |
| <b>operational current with 2 current paths in series at DC-12</b> |               |
| • at 24 V rated value  | 10 A          |
| • at 60 V rated value  | 10 A          |
| • at 110 V rated value   | 4 A           |
| • at 220 V rated value   | 2 A           |
| • at 440 V rated value   | 1.3 A         |
| • at 600 V rated value   | 0.65 A        |
| <b>operational current with 3 current paths in series at DC-12</b> |               |
| • at 24 V rated value  | 10 A          |
| • at 60 V rated value  | 10 A          |
| • at 110 V rated value   | 10 A          |
| • at 220 V rated value   | 3.6 A         |
| • at 440 V rated value   | 2.5 A         |
| • at 600 V rated value   | 1.8 A         |
| <b>operating frequency at DC-12 maximum</b>                        | 1 000 1/h     |
| <b>operational current at 1 current path at DC-13</b>              |               |
| • at 24 V rated value  | 10 A          |
| • at 110 V rated value   | 1 A           |
| • at 220 V rated value   | 0.3 A         |
| • at 440 V rated value   | 0.14 A        |
| • at 600 V rated value   | 0.1 A         |
| <b>operational current with 2 current paths in series at DC-13</b> |               |
| • at 24 V rated value  | 10 A          |
| • at 60 V rated value  | 3.5 A         |
| • at 110 V rated value   | 1.3 A         |
| • at 220 V rated value   | 0.9 A         |
| • at 440 V rated value   | 0.2 A         |
| • at 600 V rated value   | 0.1 A         |
| <b>operational current with 3 current paths in series at DC-13</b> |               |
| • at 24 V rated value  | 10 A          |
| • at 60 V rated value  | 4.7 A         |
| • at 110 V rated value   | 3 A           |
| • at 220 V rated value   | 1.2 A         |
| • at 440 V rated value   | 0.5 A         |

|   |   |
|---|---|
| <ul style="list-style-type: none"> <li>at 600 V rated value</li> </ul>  | 0.26 A  |
| <b>operating frequency at DC-13 maximum</b>   | 1 000 1/h   |
| design of the miniature circuit breaker for short-circuit protection of the auxiliary circuit up to 230 V   | C characteristic: 6 A; 0.4 kA   |
| <b>contact reliability of auxiliary contacts</b>  | 1 faulty switching per 100 million (17 V, 1 mA)   |
| <b>UL/CSA ratings</b>   |   |
| <b>contact rating of auxiliary contacts according to UL</b>   | A600 / Q600   |
| <b>Short-circuit protection</b>   |   |
| design of the fuse link for short-circuit protection of the auxiliary switch required   | fuse gL/gG: 10 A  |
| <b>Installation/ mounting/ dimensions</b>   |   |
| <b>mounting position</b>  | +/-180° rotation possible on vertical mounting surface; can be tilted forward and backward by +/- 22.5° on vertical mounting surface  |
| <b>fastening method</b>   | screw and snap-on mounting onto 35 mm standard mounting rail  |
| <b>height</b>   | 57.5 mm   |
| <b>width</b>  | 45 mm   |
| <b>depth</b>  | 73 mm   |
| <b>required spacing</b>   |   |
| <ul style="list-style-type: none"> <li>with side-by-side mounting <ul style="list-style-type: none"> <li>forwards</li> <li>upwards</li> <li>downwards</li> <li>at the side</li> </ul> </li> <li>for grounded parts <ul style="list-style-type: none"> <li>forwards</li> <li>upwards</li> <li>at the side</li> <li>downwards</li> </ul> </li> <li>for live parts <ul style="list-style-type: none"> <li>forwards</li> <li>upwards</li> <li>downwards</li> <li>at the side</li> </ul> </li> </ul> | 10 mm<br>10 mm<br>10 mm<br>0 mm<br><br>10 mm<br>10 mm<br>6 mm<br>10 mm<br><br>10 mm<br>10 mm<br>10 mm<br>6 mm   |
| <b>Connections/ Terminals</b>   |   |
| type of electrical connection for auxiliary and control circuit   | screw-type terminals  |
| <b>type of connectable conductor cross-sections</b>   |   |
| <ul style="list-style-type: none"> <li>for auxiliary contacts <ul style="list-style-type: none"> <li>solid or stranded</li> <li>finely stranded with core end processing</li> </ul> </li> <li>at AWG cables for auxiliary contacts</li> </ul>   | 2x (0.5 ... 1.5 mm <sup>2</sup> ), 2x (0.75 ... 2.5 mm <sup>2</sup> ), 2x 4 mm <sup>2</sup><br>2x (0.5 ... 1.5 mm <sup>2</sup> ), 2x (0.75 ... 2.5 mm <sup>2</sup> )<br>2x (20 ... 16), 2x (18 ... 14), 2x 12 |
| <b>Safety related data</b>  |   |
| B10 value with high demand rate according to SN 31920   | 1 000 000; With 0.3 x Ie  |
| <b>proportion of dangerous failures</b>   |   |
| <ul style="list-style-type: none"> <li>with low demand rate according to SN 31920</li> <li>with high demand rate according to SN 31920</li> </ul>   | 40 %<br>73 %  |
| failure rate [FIT] with low demand rate according to SN 31920   | 100 FIT   |
| T1 value for proof test interval or service life according to IEC 61508   | 20 y  |
| <b>protection class IP on the front according to IEC 60529</b>  | IP20  |
| <b>touch protection on the front according to IEC 60529</b>   | finger-safe, for vertical contact from the front  |
| <b>Certificates/ approvals</b>  |   |
| <b>General Product Approval</b>   |   |



[Confirmation](#)



[KC](#)



| EMC | Functional Safety/Safety of Machinery | Declaration of Conformity | Test Certificates |
|-----|---------------------------------------|---------------------------|-------------------|
|-----|---------------------------------------|---------------------------|-------------------|



[Type Examination Certificate](#)



[Special Test Certificate](#)

[Type Test Certificates/Test Report](#)

### Marine / Shipping



### Marine / Shipping

other

Dangerous Good



[Confirmation](#)



[Transport Information](#)

### Further information

Information- and Downloadcenter (Catalogs, Brochures,...)

<https://www.siemens.com/ic10>

Industry Mall (Online ordering system)

<https://mall.industry.siemens.com/mall/en/en/Catalog/product?mlfb=3RH2140-1WB40>

Cax online generator

<http://support.automation.siemens.com/WW/CAXorder/default.aspx?lang=en&mlfb=3RH2140-1WB40>

Service&Support (Manuals, Certificates, Characteristics, FAQs,...)

<https://support.industry.siemens.com/cs/ww/en/ps/3RH2140-1WB40>

Image database (product images, 2D dimension drawings, 3D models, device circuit diagrams, EPLAN macros, ...)

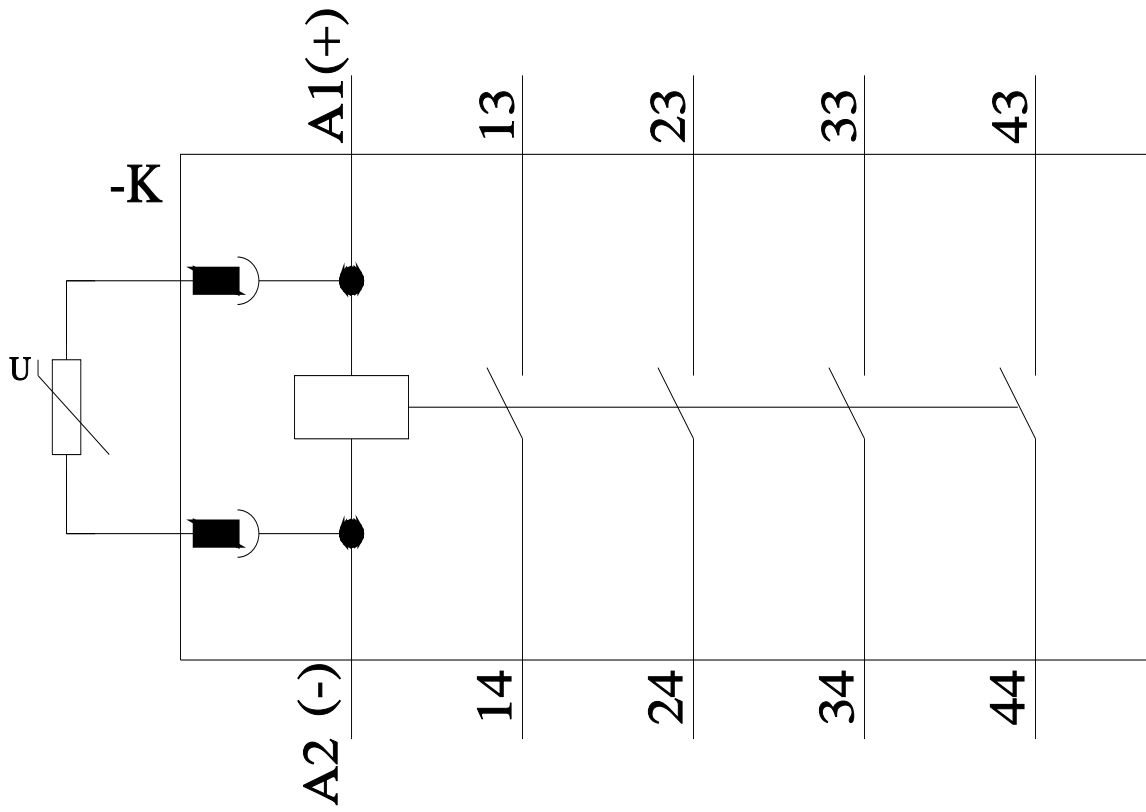
[http://www.automation.siemens.com/bilddb/cax\\_de.aspx?mlfb=3RH2140-1WB40&lang=en](http://www.automation.siemens.com/bilddb/cax_de.aspx?mlfb=3RH2140-1WB40&lang=en)

Characteristic: Tripping characteristics, I<sub>t</sub>, Let-through current

<https://support.industry.siemens.com/cs/ww/en/ps/3RH2140-1WB40/char>

Further characteristics (e.g. electrical endurance, switching frequency)

<http://www.automation.siemens.com/bilddb/index.aspx?view=Search&mlfb=3RH2140-1WB40&objecttype=14&gridview=view1>



last modified:

12/1/2021 