



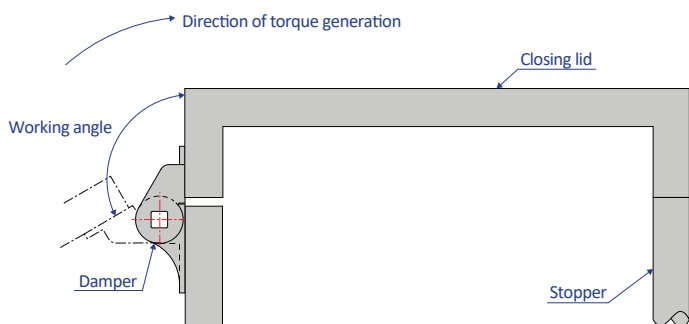
SPECIFICATIONS

| Model | Max Torque | Max Reverse Torque | Max Angle |
|--------------|--------------------|---------------------------------------|-----------|
| FHD-A1-2-503 | 5Nm (50 kgf•cm) | 0.6Nm or lower (6 kgf•cm or lower) | 120° |

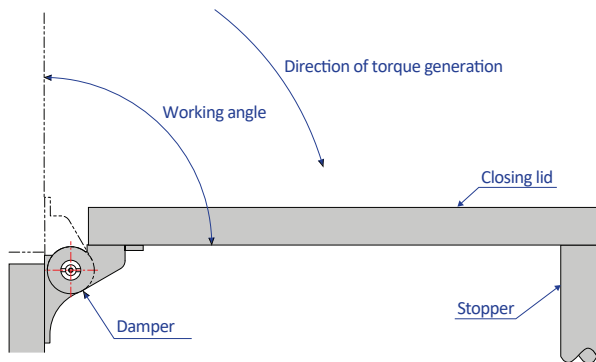
| Main Body Material | Hinge Material | Oil Type | Operating Temp. C° | Mass g |
|---|----------------|--------------|--------------------|--------|
| Zinc die-cast (ZDC) + silver coating | SUS304 | Silicone oil | -5~50 | 410 |

HOW TO USE THE DAMPER

- There are two ways to attach the damper, as shown below.
- Attached externally (FHD-A1-1***)



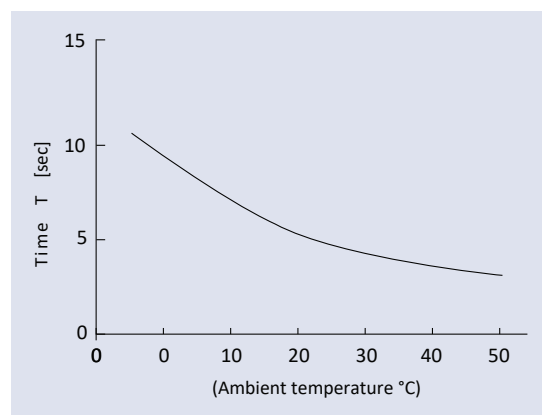
- Attached externally (FHD-A1-2***)



- This damper is only for horizontal application. Please do not use this damper for vertical application.

DAMPER CHARACTERISTICS

- Temperature characteristics
- Damper characteristics vary according to the ambient temperature. In general, the damper characteristics become weaker as the temperature increases, and become stronger as the temperature decreases. This is because the viscosity of the oil inside the damper varies according to the temperature. When the temperature returns to normal, the damper characteristics will return to normal as well.



- The working angle of the hinge is 120°. Operating the hinge beyond this angle will cause damage to the hinge. Please ensure that an external stopper is in place.