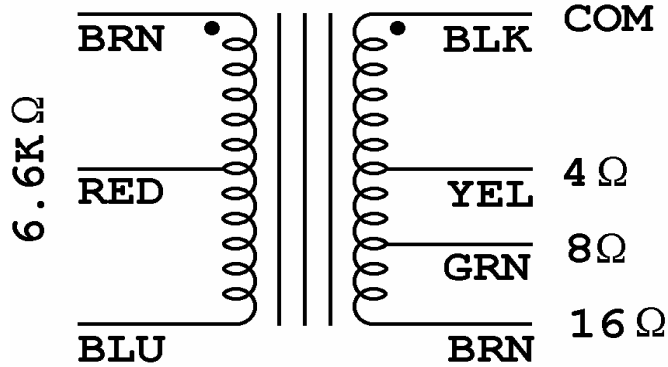
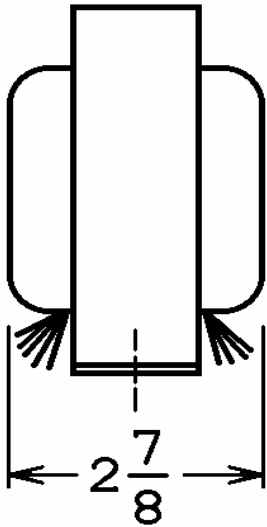
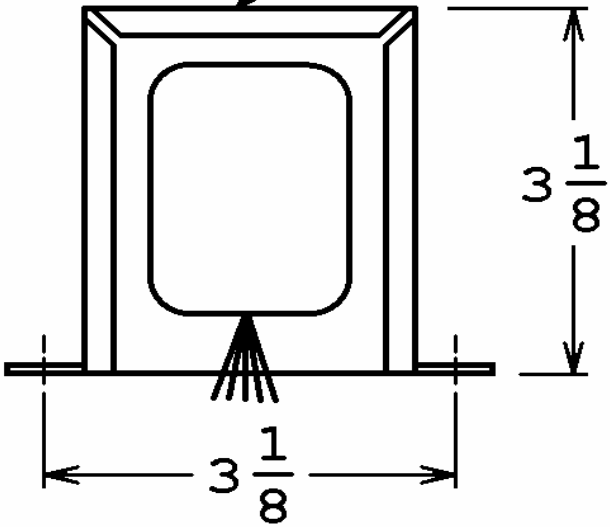


This drawing is the property of Magnetic Components, Inc. and shall not be reproduced, in whole or in part, without the written permission of Magnetic Components, Inc.

REVISIONS			
LTR	DESCRIPTION	DATE	APPROVED

Classic Tone™
 By Magnetic Components, Inc.
 40-18087
 166-DATE
 MADE IN U.S.A.



UNLESS OTHERWISE SPECIFIED ALL DIMENSIONS IN INCHES DO NOT SCALE DRAWING FRACTIONS +/- .X = +/- .XX = +/- .XXX = +/- ANGLES = +/-	SIGNATURES		DATE	MAGNETIC COMPONENTS, INC.		DIV : LOC : SCHILLER PK	
	DRAWN : <i>[Signature]</i>		20 DEC 2011	TITLE DELUXE OUTPUT UPGRADE			
	CHECK :						
	APPR : <i>[Signature]</i>		20 DEC 2011	CAGE 50508	SIZE A	PART No. 40-18087	REV -
			SCALE NONE	SHEET :			