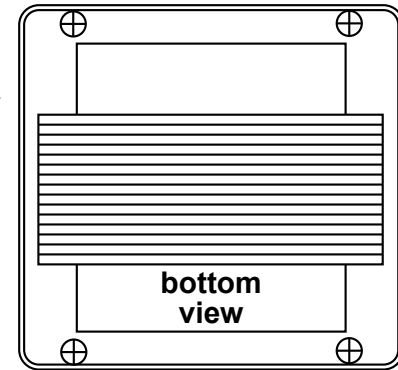
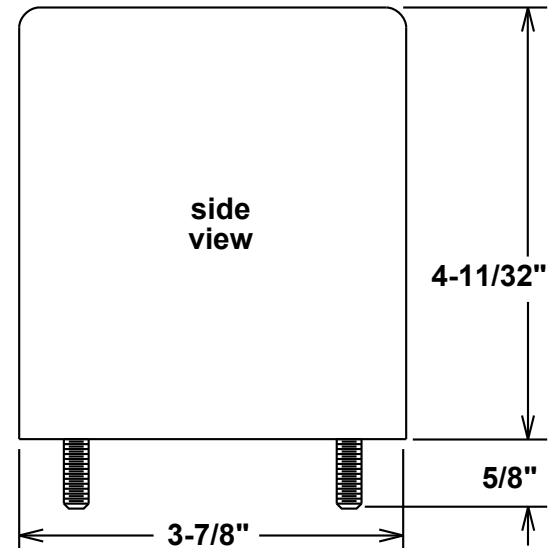
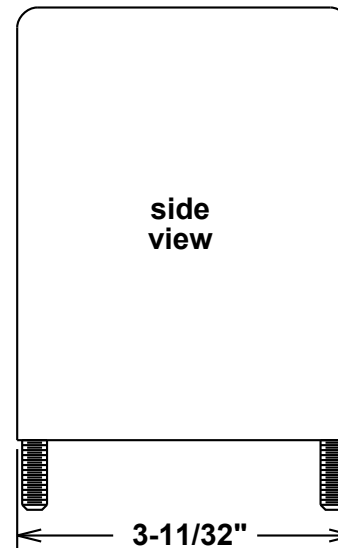


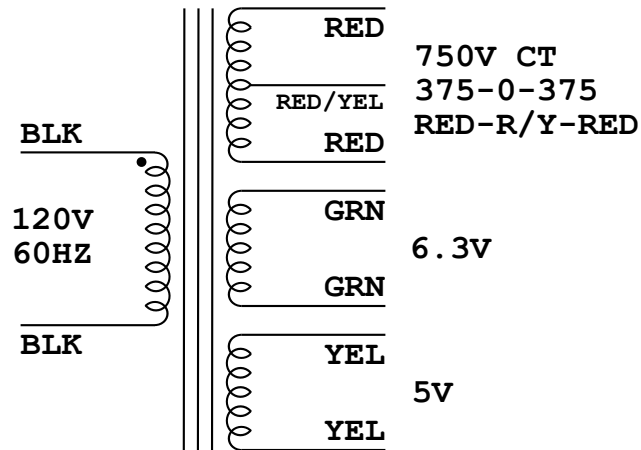
transformer is potted with black silicon sealant. Bottom of transformer is visible.




outside finish textured black power coating



Electrical Specifications



unless otherwise stated, all physical dimensions are in inches

part number:	TR-PW-08	version:	1.0
desc:	Power Transformer, 45/50W		
application:	Power transformer, "upright" mounting, for Ampeg style B15N amps.		
date:	10 JUL 13		
drawn:	Robert Hull		
sheet:	pg 1 of 1		
		ANALOG IN TUBEDEPOT.COM	