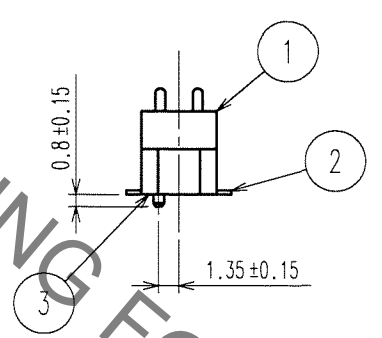
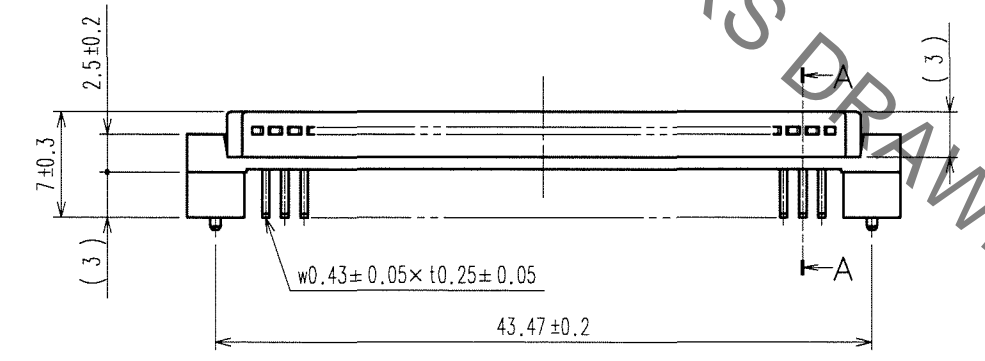
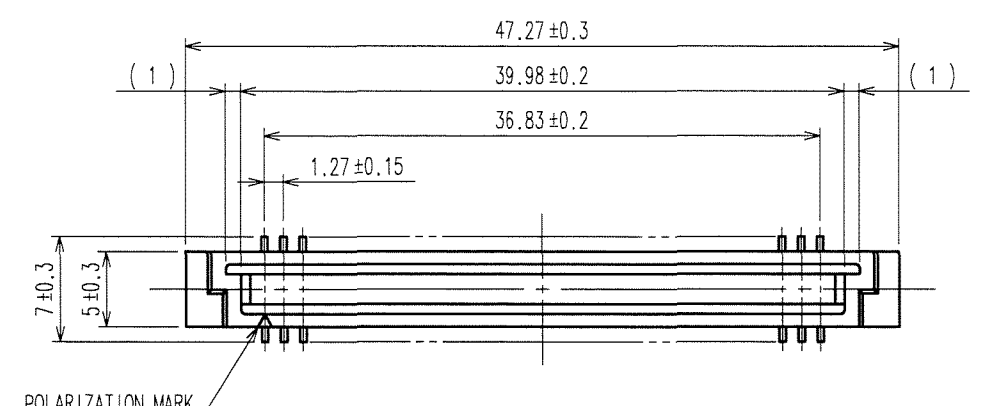
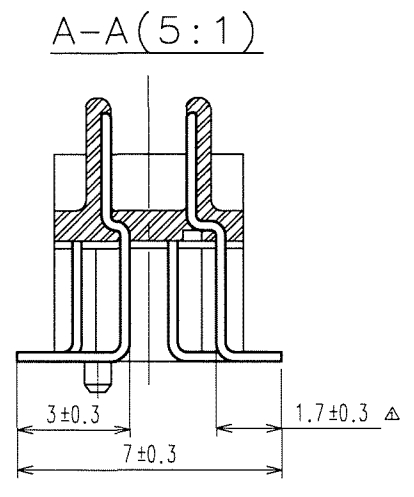
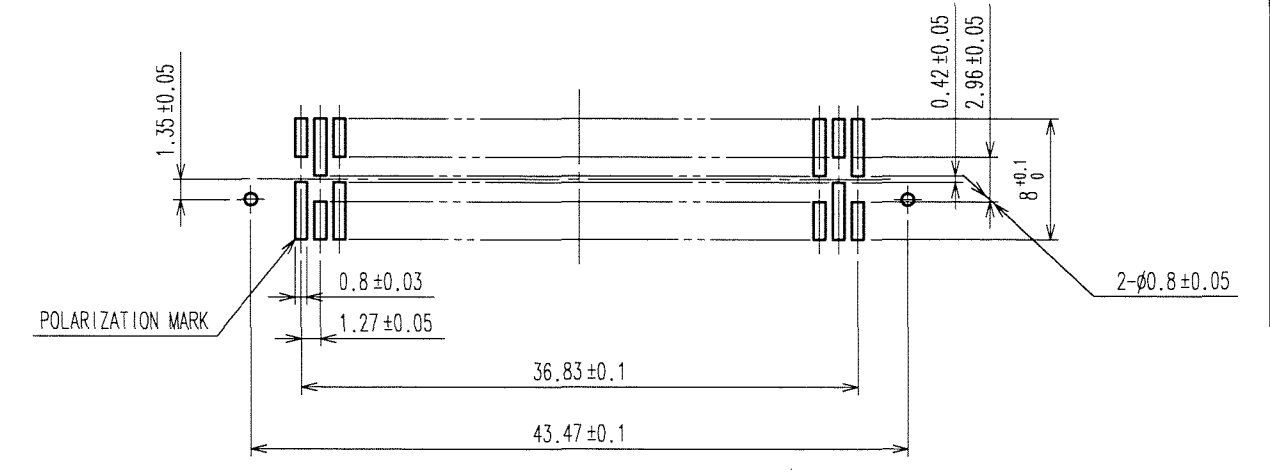


May.1.2023 Copyright 2023 HIROSE ELECTRIC CO., LTD. All Rights Reserved.
In case of consideration for using Automotive equipment / device which demand high reliability, kindly contact our sales window correspondents.

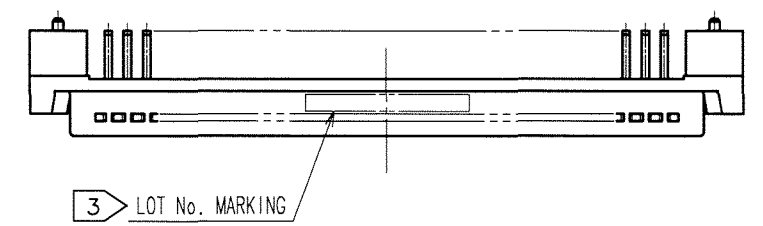
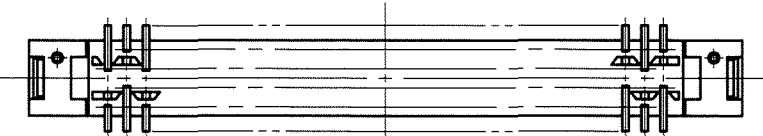
COUNT	DESCRIPTION OF REVISIONS	BY	CHKD	DATE	COUNT	DESCRIPTION OF REVISIONS	BY	CHKD	DATE
1	DIS-F-001176	K.D	H.O	06.07.20					



RECOMMENDED P.C.B. LAND PATTERN
(MOUNT SIDE)



- NOTES 1 LEAD CO-PLANARITY SHALL BE 0.15mm MAX.
2 THE DIMENSIONS IN PARENTHESES ARE FOR REFERENCE.
3 LOT No. SHALL BE INDICATED AT OPPTIONAL POSITION.



1, 3	POLYAMIDE	BEIGE	UL94V-0	2	PHOSPHOR BRONZE	CONTACT AREA:GOLD 0.2μ m min. LEAD AREA:TIN-PLATING 1.2μ m min. UNDER PLATING:NICKEL 1μ m min.
NO.	MATERIAL	FINISH, REMARKS		NO.	MATERIAL	FINISH, REMARKS
CODE NO. (OLD) CL			DRAWN K.DOI 05-09-02	DESIGNED K.DOI 05-09-02	CHECKED H.OZAWA 05-09-02	APPROVED H.OKAWA 05-09-02
DRAWING NO. EDC3-084007-21			PART NO. FX4B3-60P-1.27SV(71)			RELEASED .
SCALE 2 : 1			CODE NO. CL574-0235-1-71			1/1
UNITS mm			HIROSE ELECTRIC CO., LTD			

TO