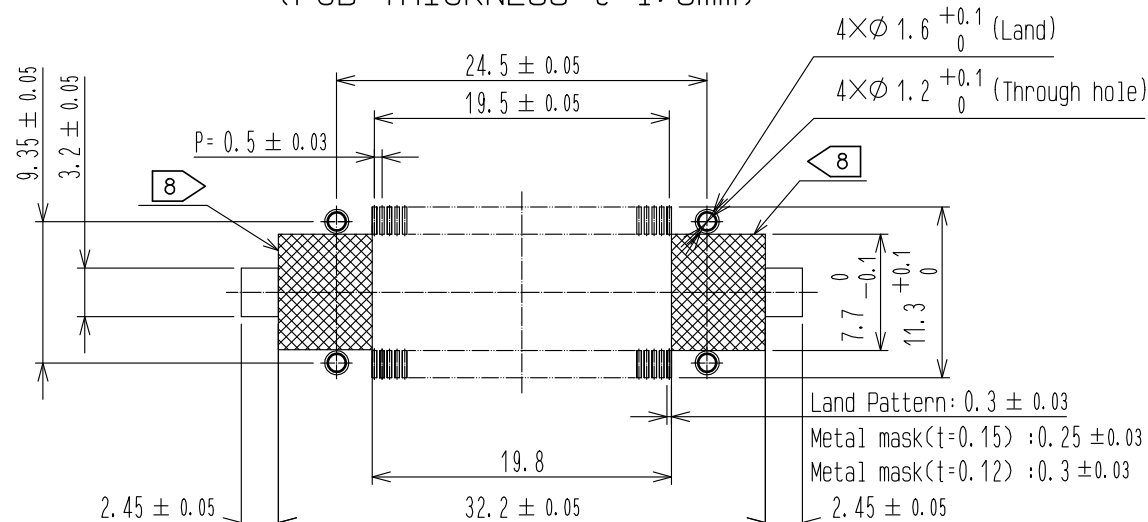
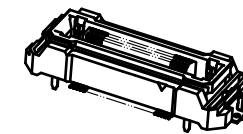


May.1.2023 Copyright 2023 HIROSE ELECTRIC CO., LTD. All Rights Reserved.
In case of consideration for using Automotive equipment / device which demand high reliability, kindly contact our sales window correspondents.

RECOMMENDED LAND PATTERN DIMENSION OF PCB
(PCB THICKNESS: $t=1.6\text{mm}$)

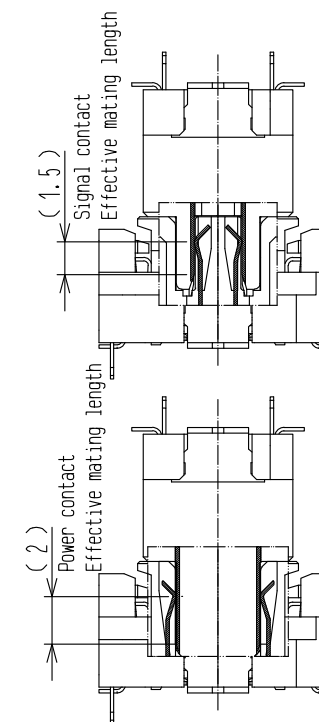
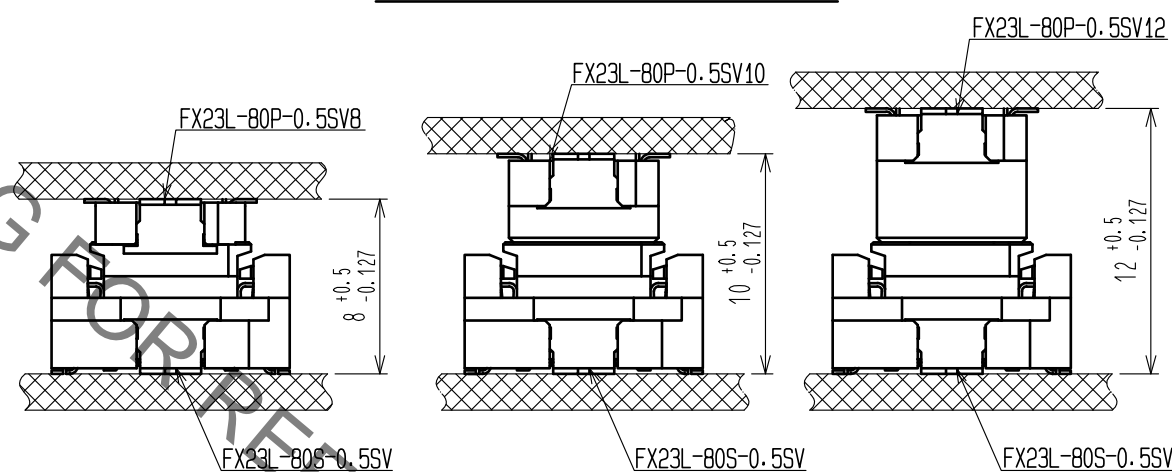
③ FLOATING RANGE

X DIRECTION: $\pm 0.6\text{mm}$ Y DIRECTION: $\pm 0.6\text{mm}$



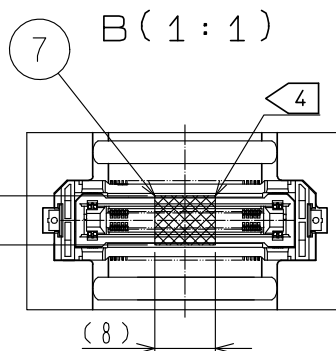
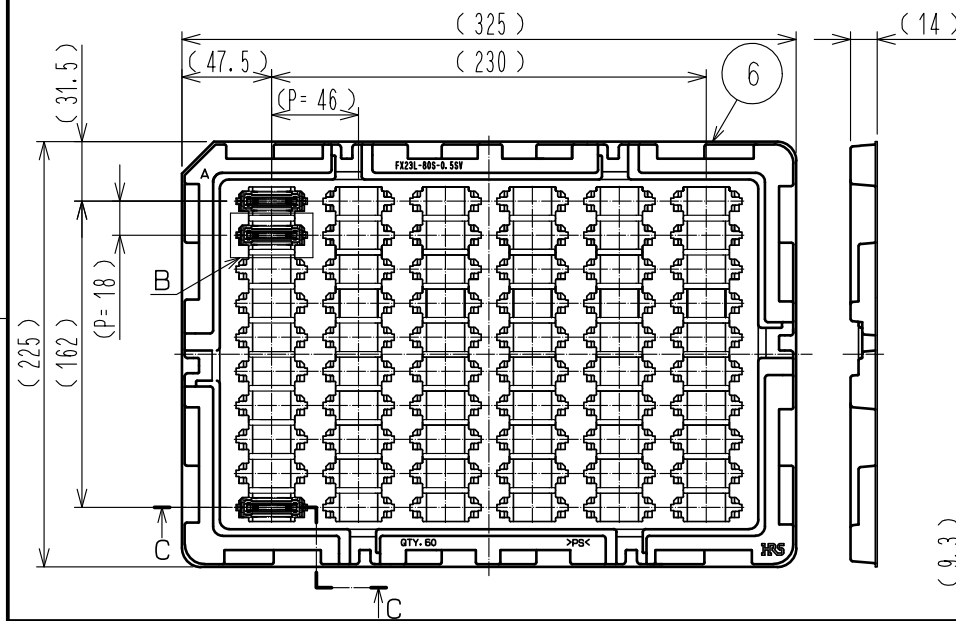
△ CROSS SECTION OF MATING (No scale)

⑦ PCB DISTANCE (No scale)

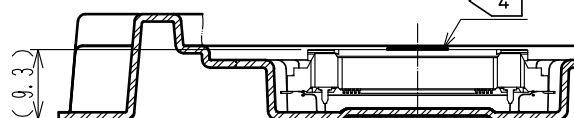


- Note
- Lead CO-Planarity is 0.1mm MAX.
 - This is packaged in tray. (60pcs/tray)
 - Floating range of this connector is $\pm 0.6\text{mm}$.
The maximum cycle time of the floating operation is in accordance with the mating cycle of the connector.
 - It shows the vacuum pickup area. Remove the mylar tape before mating connectors.
 - Blemish and hit mark can be occurred through out the manufacturing process which doesn't affect quality level.
 - The dimensions in parentheses are for references.
 - Please use the connectors within the specified PCB distance.
 - area of inner SMT land requires pattern prohibition or resist treatment to prevent the pattern.

② DRAWING FOR PACKING (No scale)



C-C (1:1)



NO.	MATERIAL	FINISH . REMARKS	NO.	MATERIAL	FINISH . REMARKS
3	COPPER ALLOY	CONTACT AREA:GOLD 0.1 μm LEAD AREA:GOLD 0.03 μm UNDER PLATING:NICKEL 1.3 μm	7	POLYIMIDE	(TAPE FOR VACUUM PICKUP)
2	POLYAMIDE	BLACK UL94V-0	6	POLYSTYRENE	(TRAY)
1	POLYAMIDE	BLACK UL94V-0	5	BRASS	TIN-PLATING 1 μm
			4	COPPER ALLOY	CONTACT AREA:GOLD 0.1 μm LEAD AREA:TIN-PLATING 1 μm UNDER PLATING:NICKEL 1.3 μm

UNITS	SCALE	COUNT	DESCRIPTION OF REVISIONS	DESIGNED	CHECKED	DATE
mm	2 : 1	1	DIS-F-00004372	TS.00NO	HT.YAMAGUCHI	20190307

APPROVED	HS. OKAWA	20160120	DRAWING NO.	EDC-358067-00-00
CHECKED	KN. SHIBUYA	20160120	PART NO.	FX23L-80S-0.5SV
DESIGNED	TS.00NO	20160120	CODE NO.	CL573-2304-7-00
DRAWN	TS.00NO	20160120		