

# High Voltage Synchronous Buck Controller with Programmable Frequency and Sync

## DESCRIPTION

Demonstration Circuit 1073 is a 100kHz-500kHz programmable frequency, high voltage, current-mode DC/DC step-down converter featuring the LT3845. The operating frequency can be synchronized up to 600kHz. The demo board is designed for 12V @ 6.25A (75W) output from a 20V to 55V input. A soft-start feature controls the output voltage slew rate at start-up, reducing current surges and voltage overshoots. The modes of operation (Burst Mode, Discontinuous Current Mode and Continuous Current Mode) are jumper selectable. Both Burst Mode and Discontinuous Current Mode increase the efficiency at light loads. Continuous Current Mode will maintain a constant switching frequency regardless of the load current.


An Optional Boost Bias circuit is provided on the bottom side of the board for back-driving the LT3845 internal regulator from the output voltage. Customers may want to use this optional circuit with modified applications that have relatively high input voltages and low (~ 3.3V)

output voltages. In such applications, the optional circuit can increase the overall efficiency by reducing the power loss in the LT3845. The demonstration board has also been laid out with the option of doubling the switching MOSFETs to facilitate higher output current. This board is suitable for a wide range of industrial control systems and particularly suitable for 12V/42V automotive applications and 48V Telecom power supplies.

The LT3845 datasheet gives a complete description of the part, operation and application information. The datasheet must be read in conjunction with this quick start guide for demo circuit 1073.

Note: It is best to ground the SYNC pin if the SYNC function is not being used.

**Design files for this circuit board are available. Call the LTC factory.**

 LTC and LT are registered trademarks of Linear Technology Corporation. ThinSOT and PowerPath are trademarks of Linear Technology Corporation.

Performance Summary (  $T_A = 25^\circ\text{C}$  )

PARAMETER FOR STEP-DOWN CONVERTER	CONDITION	VALUE
Minimum input voltage		20V
Maximum input voltage		55V
Output voltage $V_{OUT}$		12V +/- 4%
Maximum output current		6.25A
Typical switching frequency		300kHz

## QUICK START PROCEDURE

Demonstration circuit 1073 is easy to set up to evaluate the performance of the LT3845. Refer to Figure 1 for proper measurement equipment setup and follow the procedure below:

NOTE. When measuring the input or output voltage ripple, care must be taken to avoid a long ground lead on the oscilloscope probe. Measure the input or output voltage ripple by touching the probe tip directly across the Vin or Vout and GND terminals. See Figure 2 for proper scope probe technique.

1. Place JP1 on the RUN position:
2. With power off, connect the input power supply to Vin and GND.

3. Turn on the power at the input.

NOTE. Make sure that the input voltage does not exceed 60V.

4. Check for the proper output voltages. .
5. Once the proper output voltages are established, adjust the loads within the operating range and observe the output voltage regulation, ripple voltage, efficiency and other parameters.

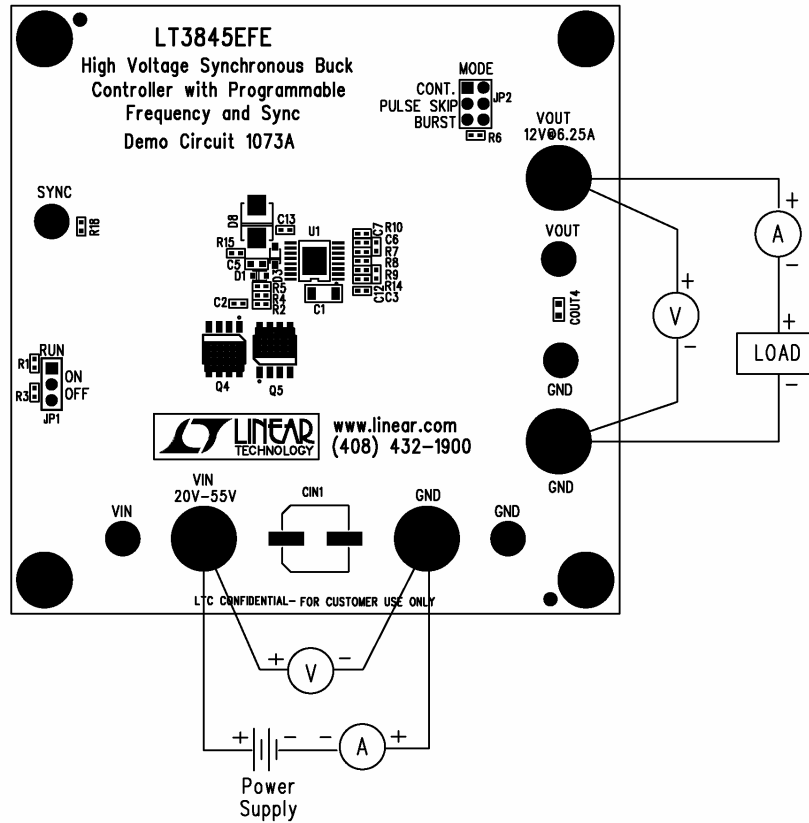


Figure 1. Proper Measurement Equipment Setup

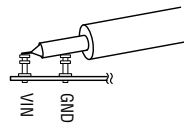
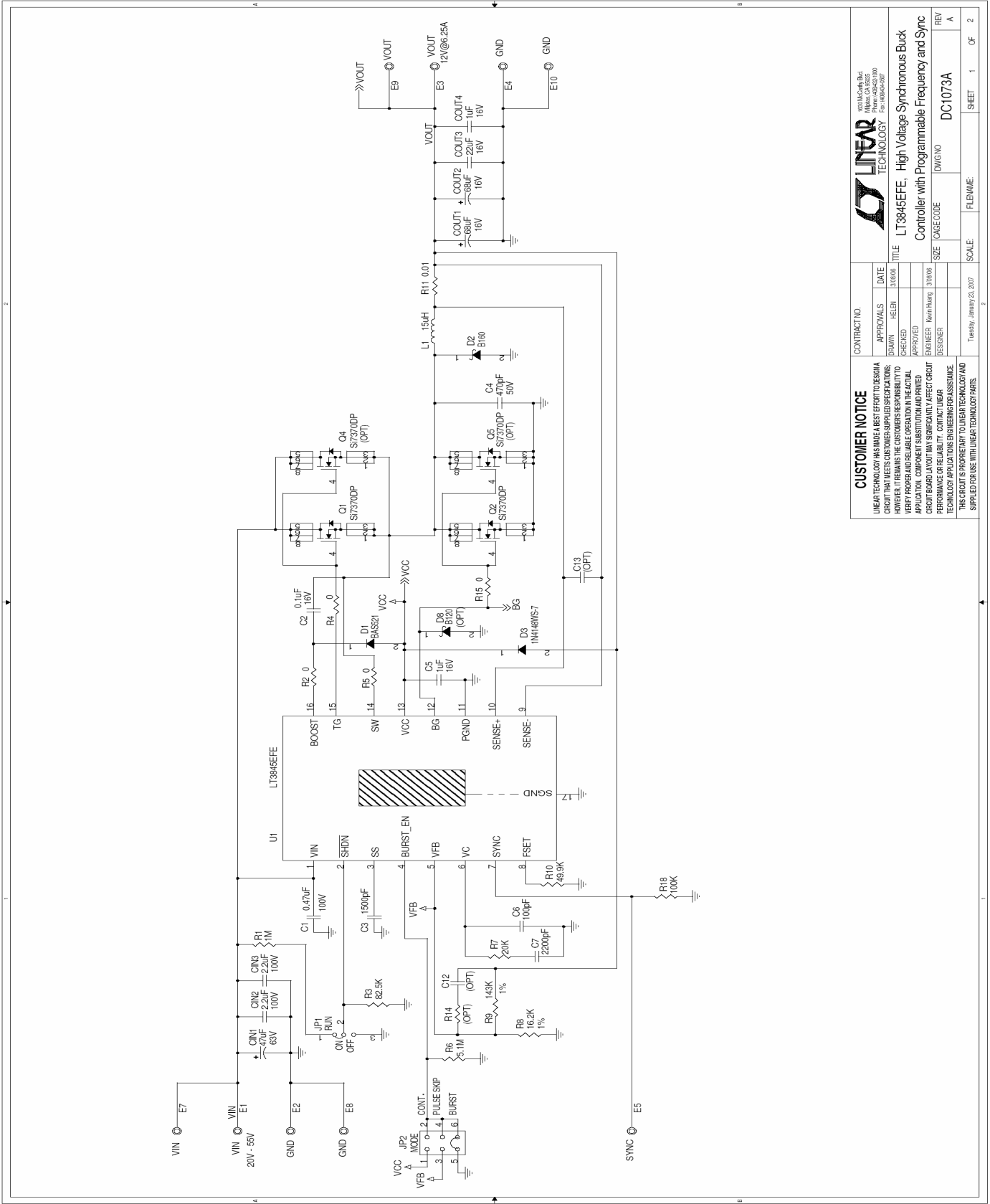
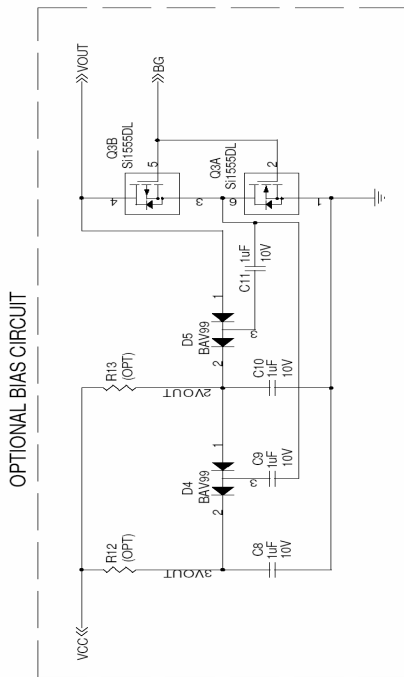


Figure 2. Measuring Input or Output Ripple




<b>CUSTOMER NOTICE</b>		<b>CONTRACT NO.</b>	
LINEAR TECHNOLOGY HAS MADE A BEST EFFORT TO DESIGN A CIRCUIT THAT MEETS CUSTOMER SPECIFICATIONS. HOWEVER, IT REMAINS THE CUSTOMER'S RESPONSIBILITY TO VERIFY PROPER AND RELIABLE OPERATION IN THE ACTUAL APPLICATION. COMPONENT SUBSTITUTION AND PRINTED CIRCUIT BOARD LAYOUT MAY SIGNIFICANTLY AFFECT CIRCUIT PERFORMANCE OR RELIABILITY. CONTACT LINEAR TECHNOLOGY APPLICATIONS ENGINEERS FOR ASSISTANCE.		THIS CIRCUIT IS PROPRIETARY TO LINEAR TECHNOLOGY AND SUPPLIED FOR USE WITH LINEAR TECHNOLOGY PARTS.	
APPROVALS	DATE	TITLE	REV
DRAWN HELEN	3/18/06	LT3845EFE: High Voltage Synchronous Buck Controller with Programmable Frequency and Sync	A
CHECKED		SIZE	DWG NO
APPROVED		DC1073A	REV
ENGINEER Kevin Huang	3/18/06		A
DESIGNER		SCALE:	SHEET 1 OF 2
	Tuesday, January 23, 2007	FILENAME:	



OPTIONAL BIAS CIRCUIT

<b>CUSTOMER NOTICE</b>		CONTRACT NO.	
LINEAR TECHNOLOGY HAS MADE A BEST EFFORT TO DESIGN A CIRCUIT THAT MEETS CUSTOMER-SUPPLIED SPECIFICATIONS. HOWEVER, IT REMAINS THE CUSTOMER'S RESPONSIBILITY TO VERIFY PROPER AND RELIABLE OPERATION IN THE ACTUAL APPLICATION. COMPONENT SUBSTITUTION AND PRINTED CIRCUIT BOARD LAYOUT MAY SIGNIFICANTLY AFFECT CIRCUIT PERFORMANCE. OPERATIONAL ASSISTANCE IS AVAILABLE THROUGH CUSTOMER SUPPORT SERVICES. THIS CIRCUIT IS PROPRIETARY TO LINEAR TECHNOLOGY AND SUPPLIED FOR USE WITH LINEAR TECHNOLOGY PARTS.		APPROVALS	DATE
		DESIGNED BY	3/18/06
		CHECKED BY	
		APPROVED BY	
		DESIGNER	Kevin Helling
		DESIGNER	
		DATE	3/18/06
		SCALE	1:1
		FILENAME	Wkrsheet_01may_17_2007
		SHEET	2
		OF	2


**LINEAR TECHNOLOGY**  
 1001 California St.  
 Fremont, CA 94539  
 Phone: (925) 462-0000  
 Fax: (925) 462-9494

**TITLE** LT3845EFE - High Voltage Synchronous Buck Controller with Programmable Frequency and Sync  
**SIZE** |PAGE CODE| DWG NO | DC:1073A |  
**REV** | A |