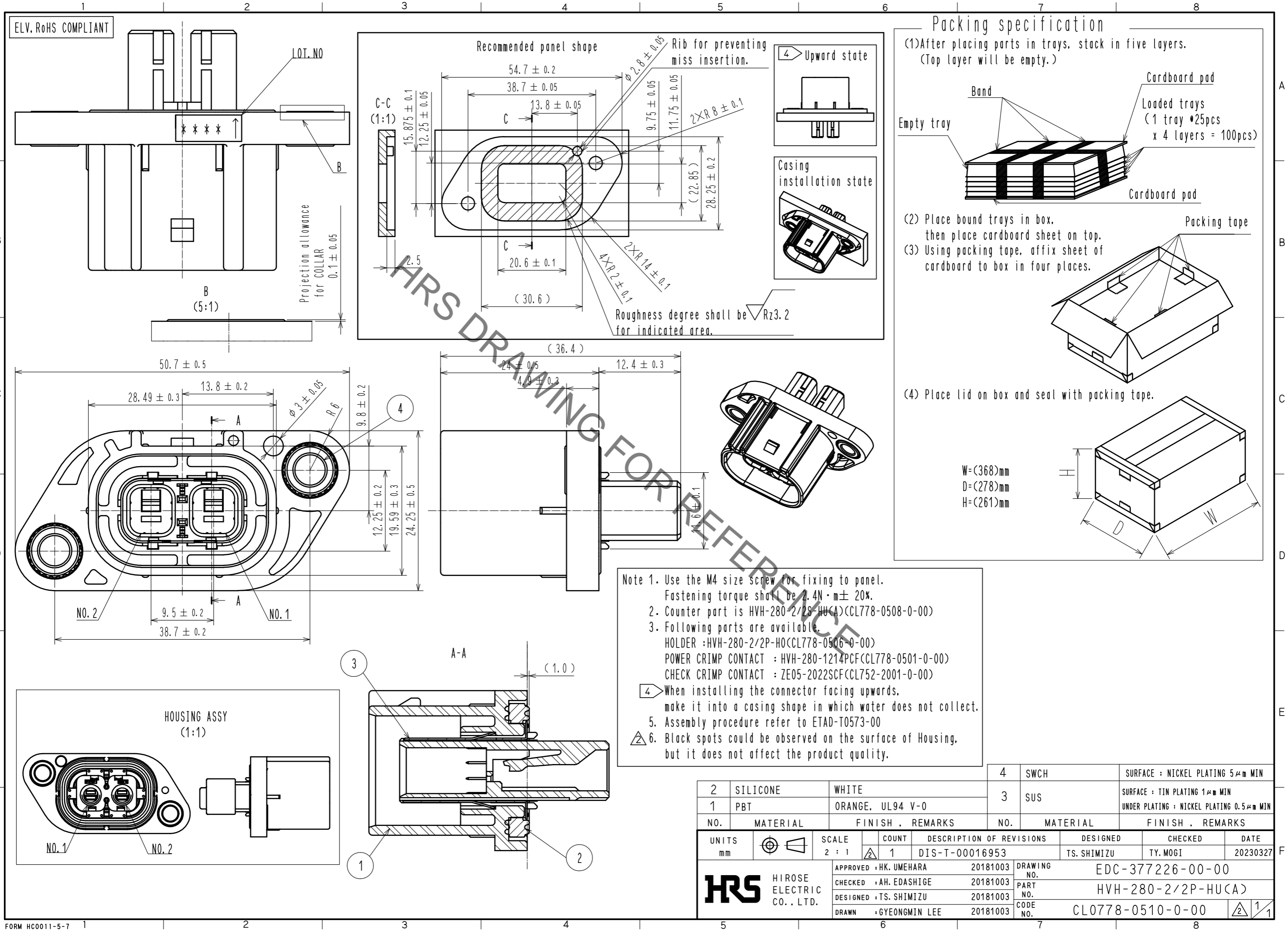


May.1.2023 Copyright 2023 HIROSE ELECTRIC CO., LTD. All Rights Reserved.
In case of consideration for using Automotive equipment / device which demand high reliability, kindly contact our sales window correspondents.



ELV. RoHS COMPLIANT

LOT. NO

Projection allowance
for COLLAR
0.1 ± 0.05

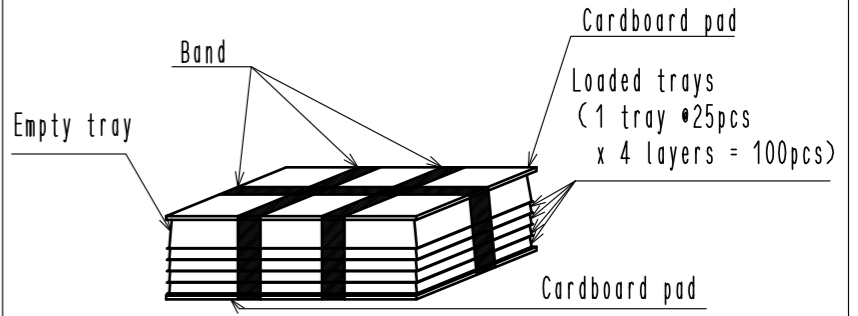
Recommended panel shape
Rib for preventing
miss insertion.

Upward state

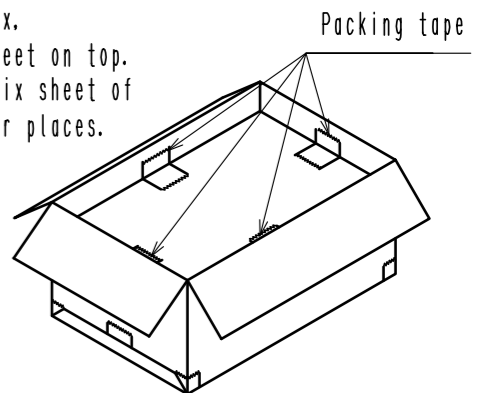
Casing
installation state

Packing specification

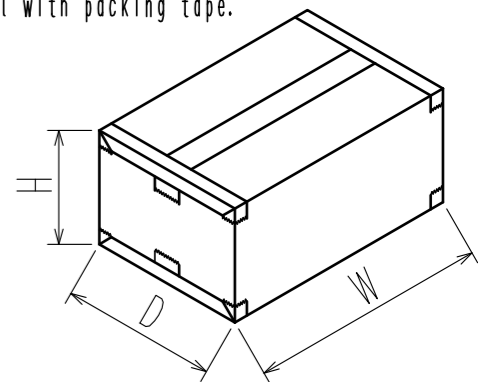
(1) After placing parts in trays, stack in five layers.
(Top layer will be empty.)



(2) Place bound trays in box,
then place cardboard sheet on top.
(3) Using packing tape, affix sheet of
cardboard to box in four places.



(4) Place lid on box and seal with packing tape.



W=(368)mm
D=(278)mm
H=(261)mm

Note 1. Use the M4 size screw for fixing to panel.
Fastening torque shall be 2.4N·m ± 20%.
2. Counter part is HVH-280-2/2S-HU(A)(CL778-0508-0-00)
3. Following parts are available.
HOLDER : HVH-280-2/2P-H0(CL778-0506-0-00)
POWER CRIMP CONTACT : HVH-280-1214PCF(CL778-0501-0-00)
CHECK CRIMP CONTACT : ZE05-2022SCF(CL752-2001-0-00)
4. When installing the connector facing upwards,
make it into a casing shape in which water does not collect.
5. Assembly procedure refer to ETAD-T0573-00
6. Black spots could be observed on the surface of Housing,
but it does not affect the product quality.

2	SILICONE	WHITE	4	SWCH	SURFACE : NICKEL PLATING 5μm MIN
1	PBT	ORANGE, UL94 V-0	3	SUS	SURFACE : TIN PLATING 1μm MIN UNDER PLATING : NICKEL PLATING 0.5μm MIN
NO.	MATERIAL	FINISH . REMARKS	NO.	MATERIAL	FINISH . REMARKS
UNITS mm		SCALE 2 : 1	COUNT 1	DESCRIPTION OF REVISIONS DIS-T-00016953	DESIGNED TS. SHIMIZU
HRS HIROSE ELECTRIC CO., LTD.		APPROVED : HK. UMEHARA	20181003	DRAWING NO.	EDC-377226-00-00
		CHECKED : AH. EDASHIGE	20181003	PART NO.	HVH-280-2/2P-HU(A)
		DESIGNED : TS. SHIMIZU	20181003	CODE NO.	CL0778-0510-0-00
		DRAWN : GYEONGMIN LEE	20181003		