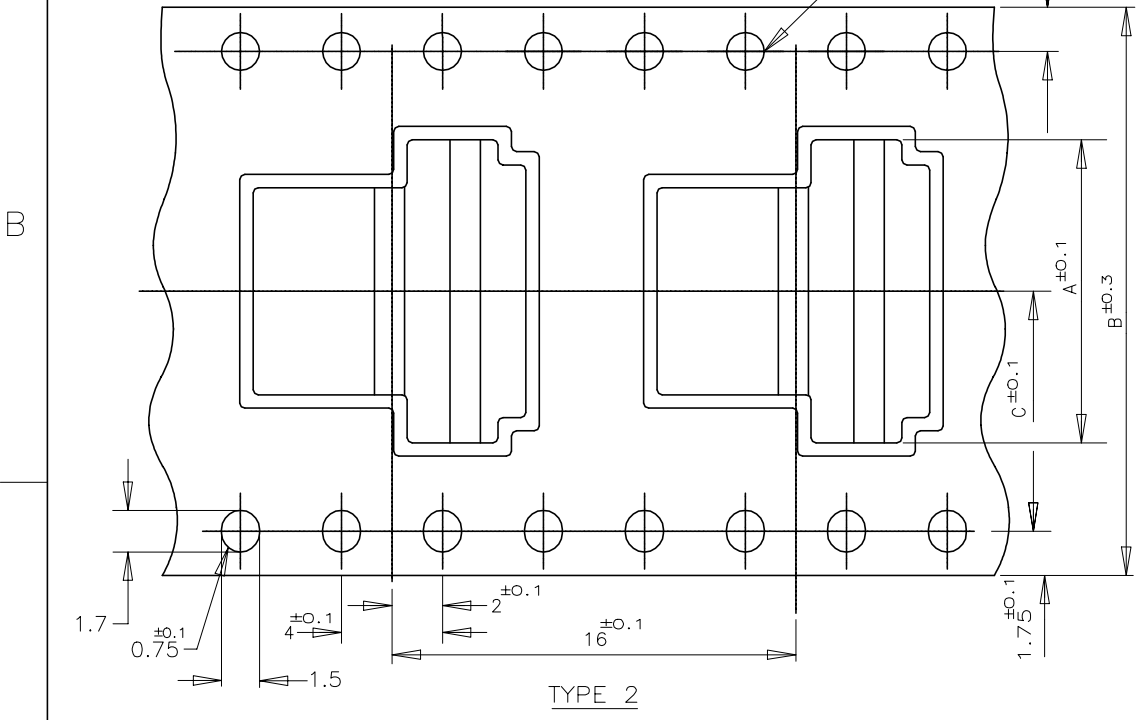
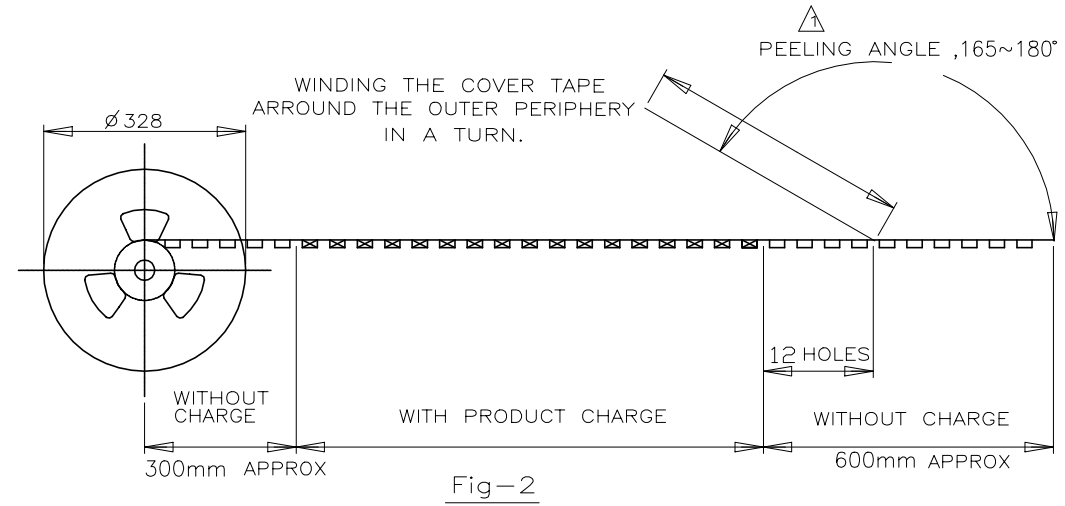
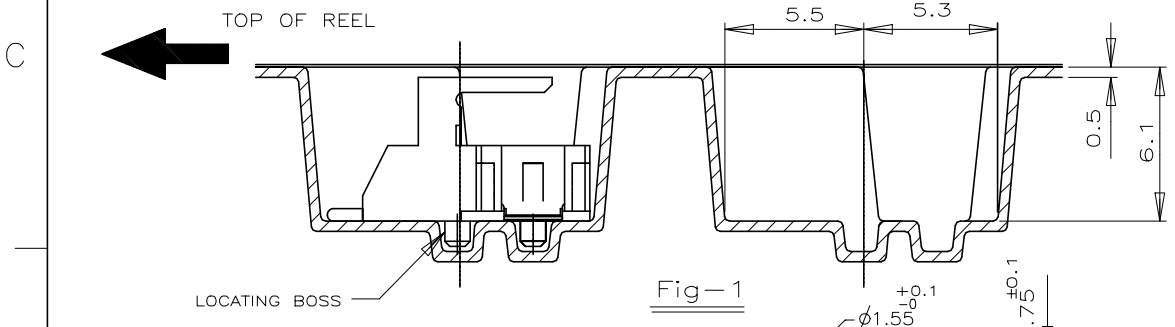
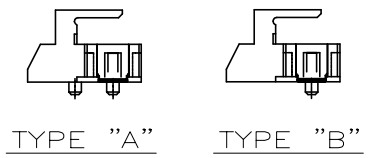
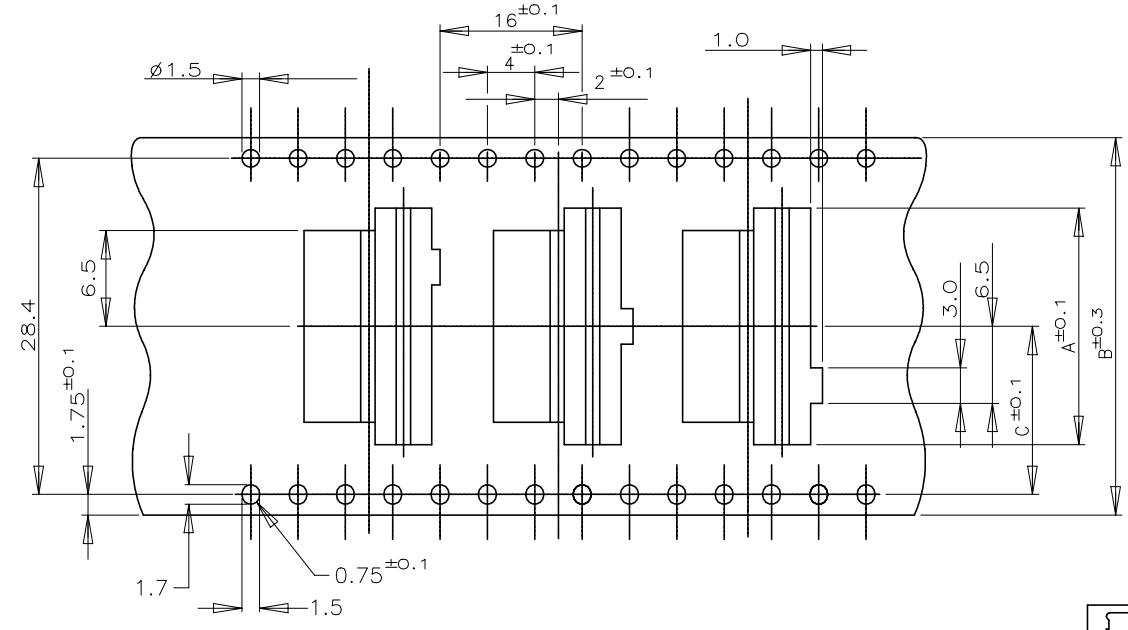
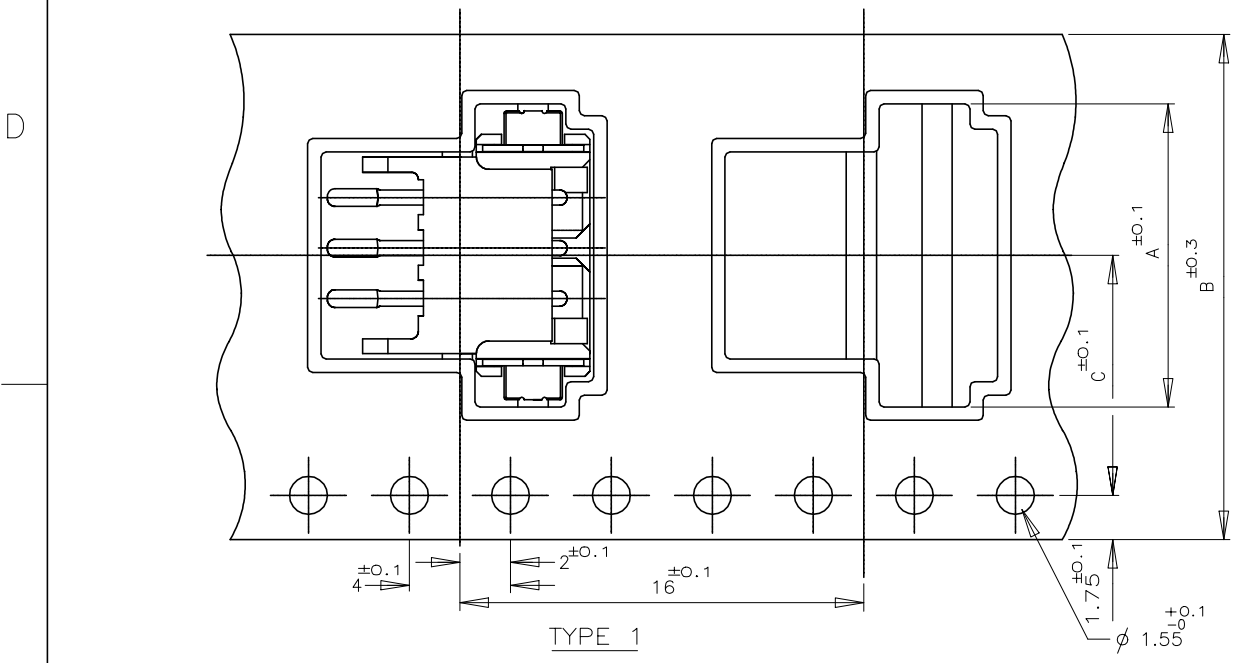


REVISIONS				
P	LTR	DESCRIPTION	DATE	DWN APVD
C5		ECR-22-127164	26OCT2021	T.Q N.S

(AS SHOWN : 3P)



COLOR	PLATE	TAPE TYPE	TYPE OF BOSS	C		B		A		QTY/ REEL	Pos	TAPING P/N
				WITH	WITHOUT	WITH	WITHOUT	WITH	WITHOUT			
NATURAL	TYPE 2	B	20.2	44	24	500	9	1-292173-9	8	1-	-8	
	TYPE 2	B	14.2	32	18	6	1-	-6				
									TYPE 1	B	11.5	24
	A	12	3	1-	-3							
						A	11.5	24		10	2	1-
B	20.2	44	22	8	0-							
						TYPE 3	B	14.2	32	20	7	0-
TYPE 2	B	14.2	32	18	6							
						BLACK	B	11.5	24	16	5	0-
A	12	3	0-	-3								
					A		11.5	24	10	500	2	0-292173-2
TYPE 1	B	20.2	44	24								

TOLERANCE UNLESS OTHERWISE SPECIFIED:

10 >	± 0.2
30 >	± 0.25
100 >	± 0.3
ANGLE	$\pm 3'$

NOTES:

PEELING RESISTANCE : 0.196N-0.686N (20gf-70gf)

SPEED : 300mm/min

THIS DRAWING IS A CONTROLLED DOCUMENT.

DWN	JACK HOU	21SEP10
CHK	MARTIN LI	21SEP10
APVD	STEVEN YAO	21SEP10
PRODUCT SPEC		
APPLICATION SPEC		
WEIGHT		
CUSTOMER DRAWING		

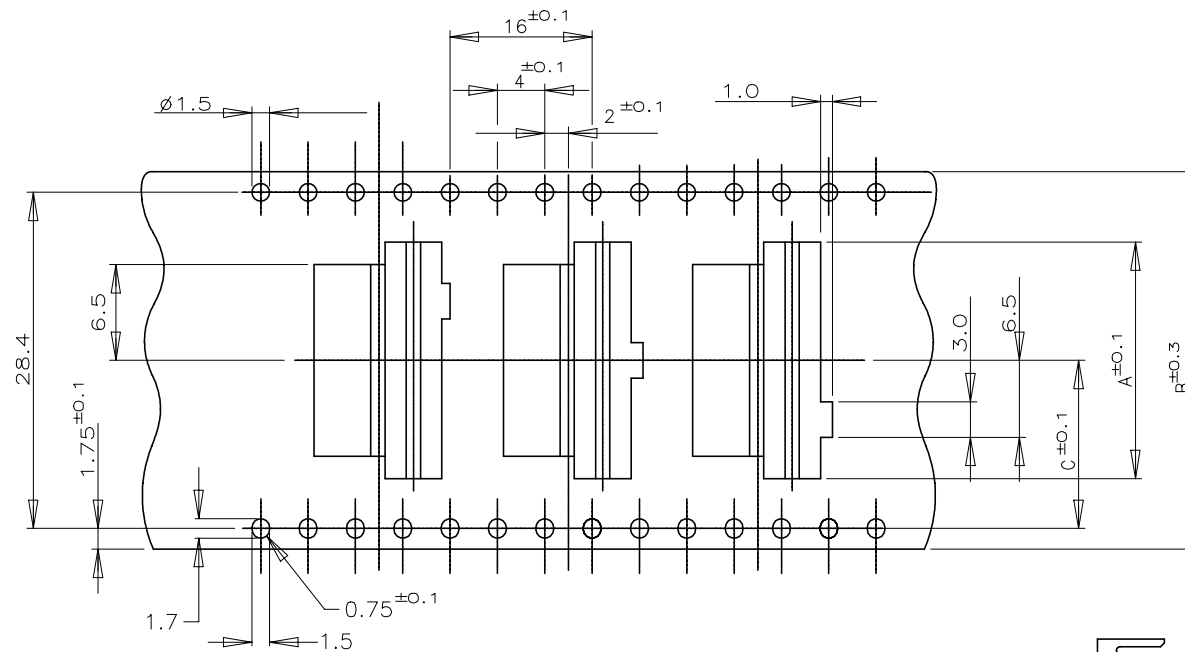
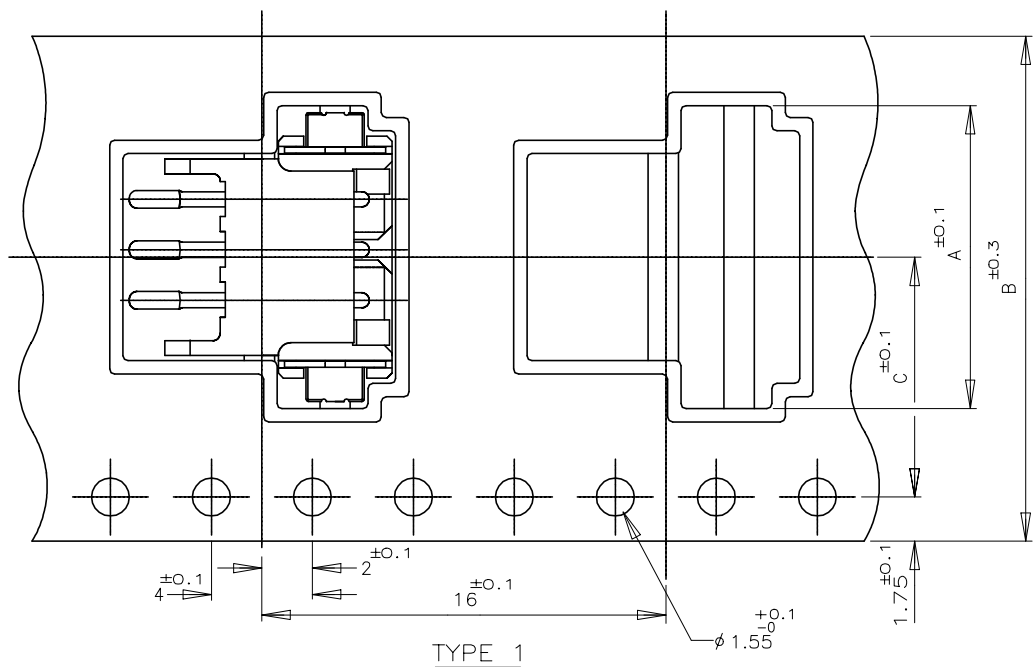


EMBOSS
CT HEADER ASSY
BOX-H SMT TYPE W/BOSS

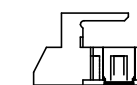
SIZE	A3	CAGE CODE	00779	DRAWING NO	C=292173	RESTRICTED TO	-
SCALE	1:1	SHEET	1 of 8	REV	C5		

P	LTR	DESCRIPTION	DATE	DWN	APVD
-	-	SEE SHEET 1	-	-	-

(AS SHOWN : 3P)



TYPE 3 FOR 7P ONLY
THREE KINDS OF DIFFERENT POCKETS AS 1 SET
USED FOR 7P ONLY



TYPE "A"

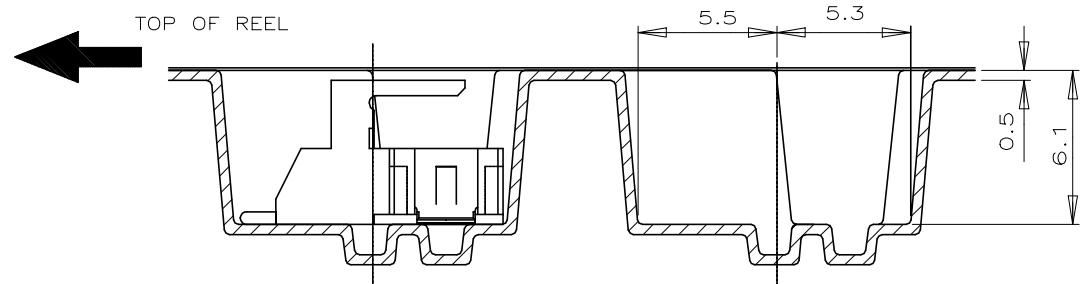
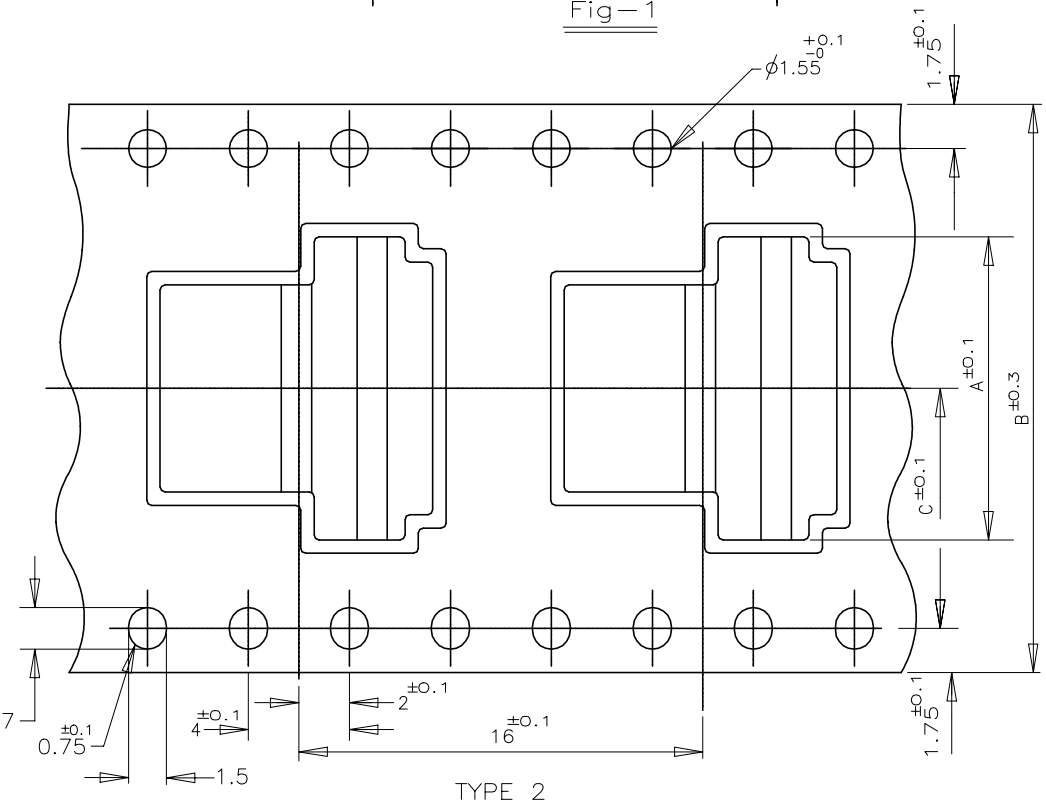


Fig-1



TYPE 2

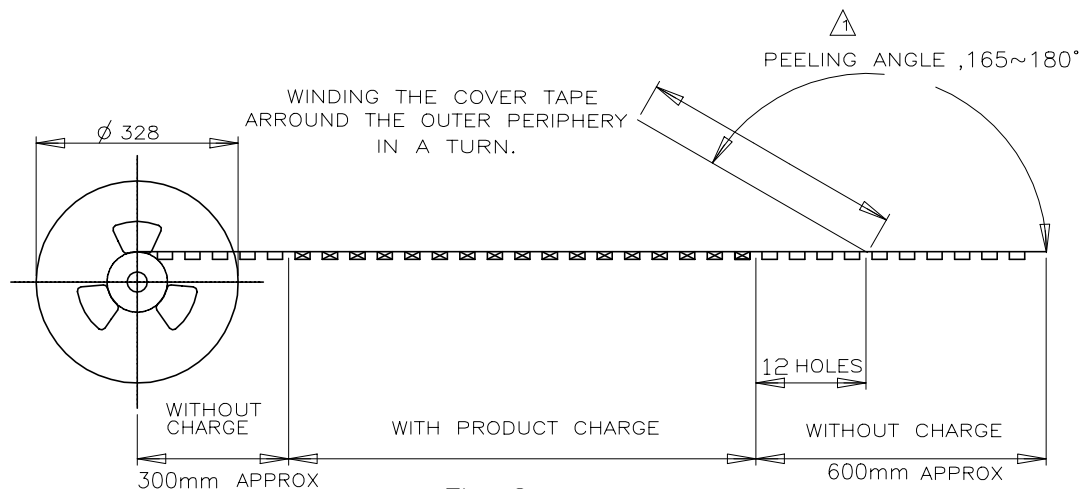


Fig-2

COLOR	PLATE	TAPE TYPE	TYPE OF BOSS	C		B		A		QTY/ REEL	Pos	TAPING	P/N	
				WITH	WITHOUT	WITH	WITHOUT	WITH	WITHOUT					
NATURAL	TYPE 2	A	20.2	44	24	500	9	3-	292173-9	WITH	8	3-	-8	
										WITHOUT	22	20	7	3-
	TYPE 3	A	14.2	32	20			6	3-	-6	WITH	5	3-	-5
											WITHOUT	14	18	4
	TYPE 1	A						4	3-	-4	WITH	3	3-	-3
											WITHOUT	12	10	2
A							2	3-	-2	WITH	9	2-	-9	
										WITHOUT	22	18	8	2-
BLACK	TYPE 2	A	20.2	44	24		8	2-	-8	WITH	7	2-	-7	
										WITHOUT	22	18	6	2-
	TYPE 3	A	14.2	32	20			5	2-	-5	WITH	4	2-	-4
											WITHOUT	14	12	3
	TYPE 2	A	14.2	32	18			2	3-	-2	WITH	5	2-	-5
											WITHOUT	14	12	3
TYPE 1	A						2	3-	-2	WITH	500	2	2-292173-2	
										WITHOUT	14	10	2	2-

TOLERANCE UNLESS OTHERWISE SPECIFIED:

10 > *	: ±0.2
30 > * > 10	: ±0.25
100 > * > 30	: ±0.3
ANGLE	: ±3'

NOTES:
 ▲ PEELING RESISTANCE : 0.196N-0.686N (20gf-70gf)
 SPEED : 300mm/min

THIS DRAWING IS A CONTROLLED DOCUMENT.		DWN
DIMENSIONS: MM		CHK
TOLERANCES UNLESS OTHERWISE SPECIFIED:		APVD
0 PLC ±		PRODUCT SPEC
1 PLC ±		APPLICATION SPEC
2 PLC ±		WEIGHT
3 PLC ±		CUSTOMER DRAWING
4 PLC ±		SCALE
ANGLES ±		SHEET
FINISH		REV



NAME			
ON TAPING (EMBOSS) TE CT CONNECTOR POST HEADER ASS'Y (BOX-H SMT TYPE W/O BOSS & W/ TAIL)			
SIZE	CAGE CODE	DRAWING NO	RESTRICTED TO
A3	00779	C=292173	-
SCALE		SHEET	REV
//		2 of 8	C5

P	LTR	DESCRIPTION	DATE	DWN	APVD
-	-	SEE SHEET 1	-	-	-

D

C

B

A

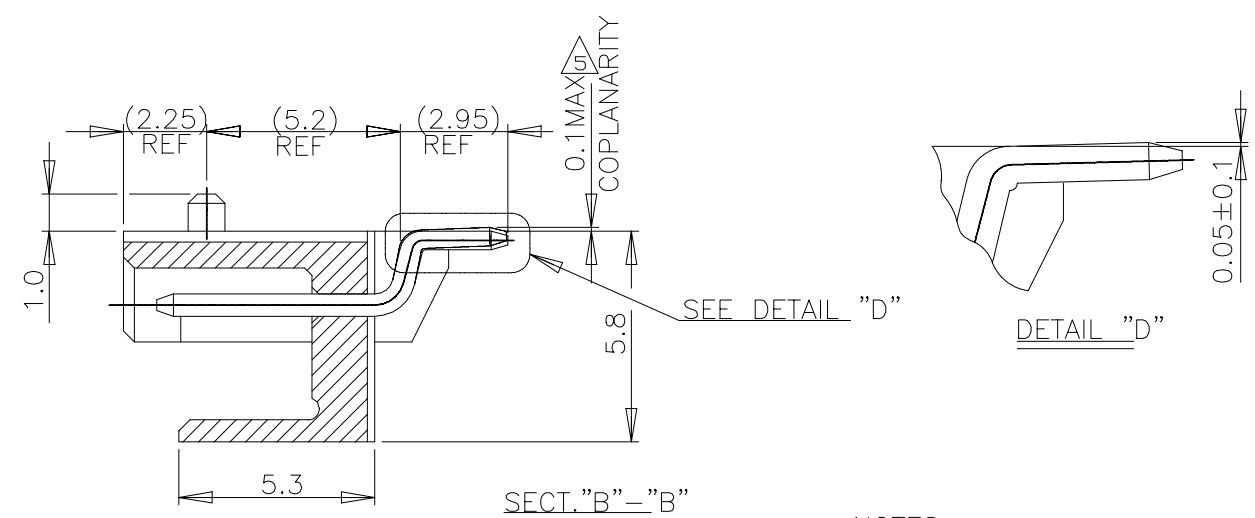
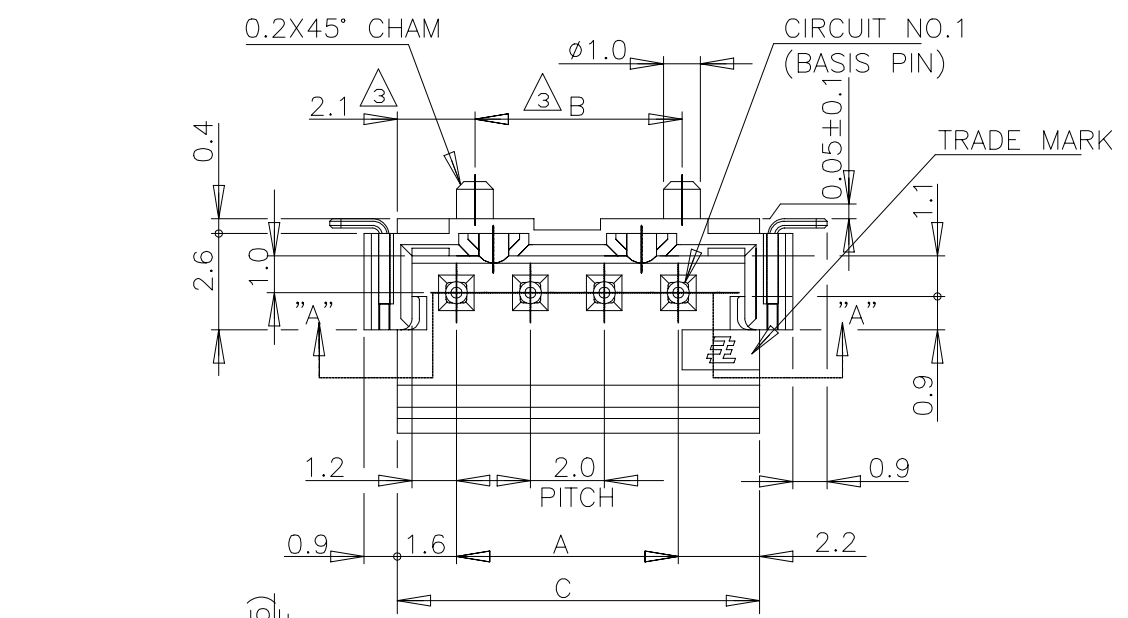
D

C

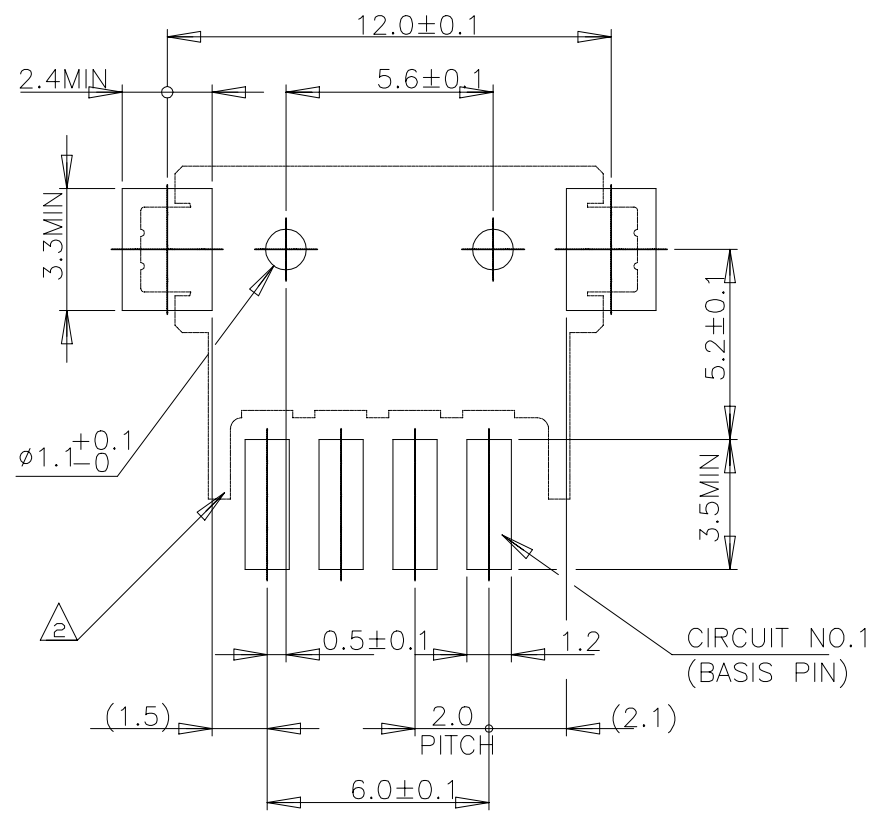
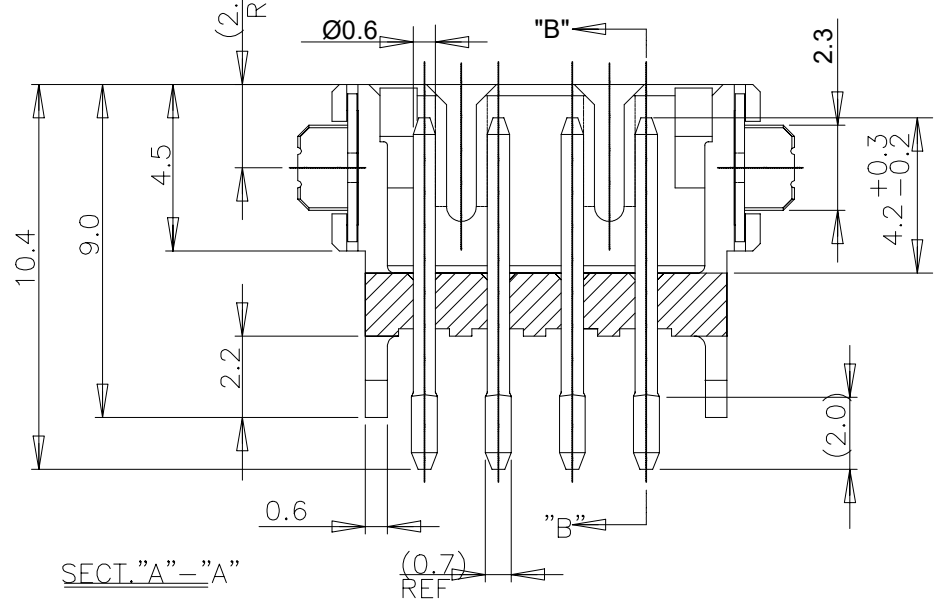
B

A

(AS SHOWN : -4)

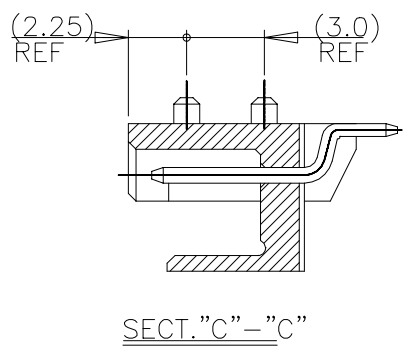
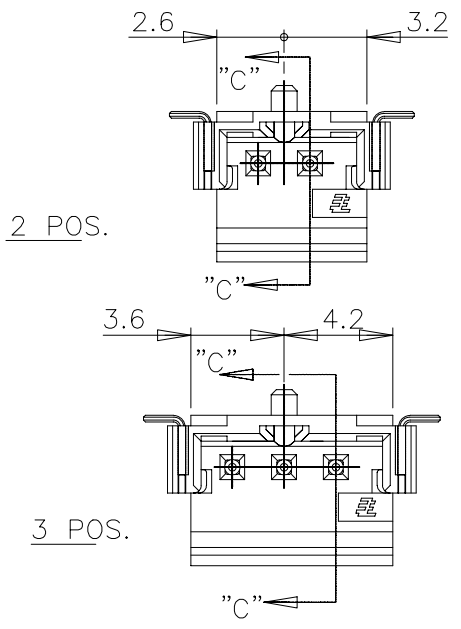


- NOTES:
- MATERIAL: HSG-NYLON (UL94V-0)
 COLOR: BLACK, NATURAL
 POST: TIN BRASS
 TAIL: TIN BRASS
- $\triangle 2$ OCCUPANT AREA ON PC BOARD
 $\triangle 3$ 4P&ABOVE POS.
 $\triangle 4$ 2P&3P
 $\triangle 5$ TO BE MEASURED WITH CONNECTOR PLACED ON HORIZONTAL DATUM SURFACE, FLOAT OF SOLDER TINE AND TAIL FROM DATUM SURFACE IS 0.1mm MAX



NO ACCUMULATED TOLERANCE
 RECOMMENDED P.C.BOARD LAYOUT
 (P.C.B. THK:0.8mm MIN)

16.0	15.6	19.8	22.0	9	1-292173-9	292173-9
14.0	13.6	17.8	20.0	8	1-▲-8	▲-8
12.0	11.6	15.8	18.0	7	1-▲-7	▲-7
10.0	9.6	13.8	16.0	6	1-▲-6	▲-6
8.0	7.6	11.8	14.0	5	1-▲-5	▲-5
6.0	5.6	9.8	—	4	1-▲-4	▲-4
4.0	—	7.8	—	3	1-▲-3	▲-3
2.0	—	5.8	—	2	1-292173-2	292173-2
A	B	C	D	Pos.	NATURAL	BLACK
						P/N



TOLERANCES UNLESS OTHERWISE SPECIFIED:
 10>* : ±0.2
 30>*>10 : ±0.25
 100>*>30 : ±0.3
 ANGEL : ±3°

THIS DRAWING IS A CONTROLLED DOCUMENT.

DIMENSIONS: MM	TOLERANCES UNLESS OTHERWISE SPECIFIED:	DWN	—
0 PLC	± -	CHK	—
1 PLC	± -	APVD	—
2 PLC	± -	PRODUCT SPEC	108-60016
3 PLC	± -	APPLICATION SPEC	—
4 PLC	± -	WEIGHT	—
ANGLES	± -	CUSTOMER DRAWING	—
MATERIAL	FINISH	SCALE	—
SEE NOTE	SEE NOTE	SHEET	3 of 8

STE TE Connectivity Ltd.
 SMT TYPE POST HDR ASS'Y (H)
 WITH BOSS & TAIL TYPE
 (TE CT CONN. 2mm PITCH)

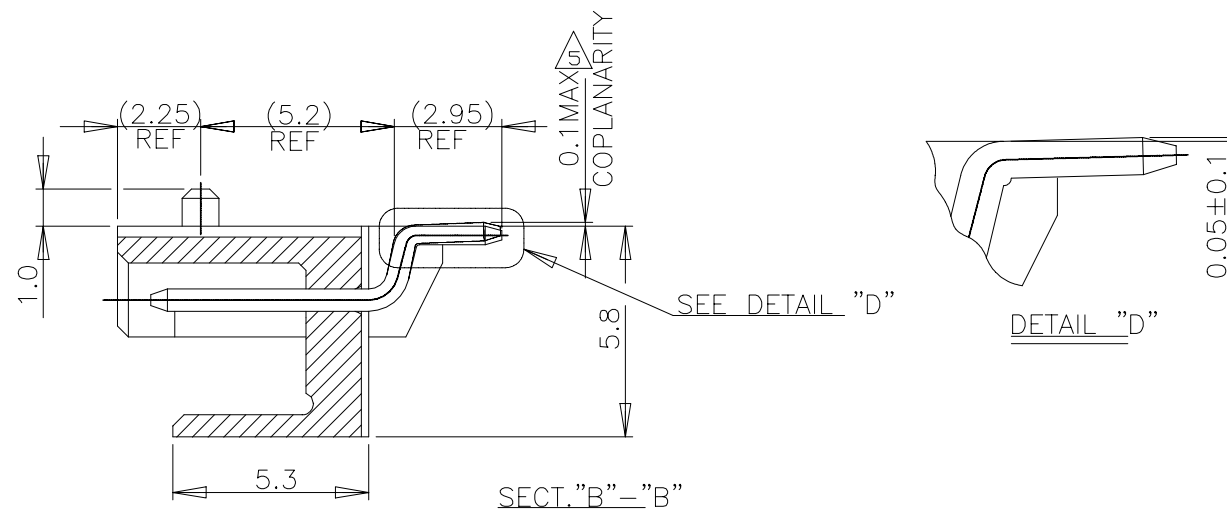
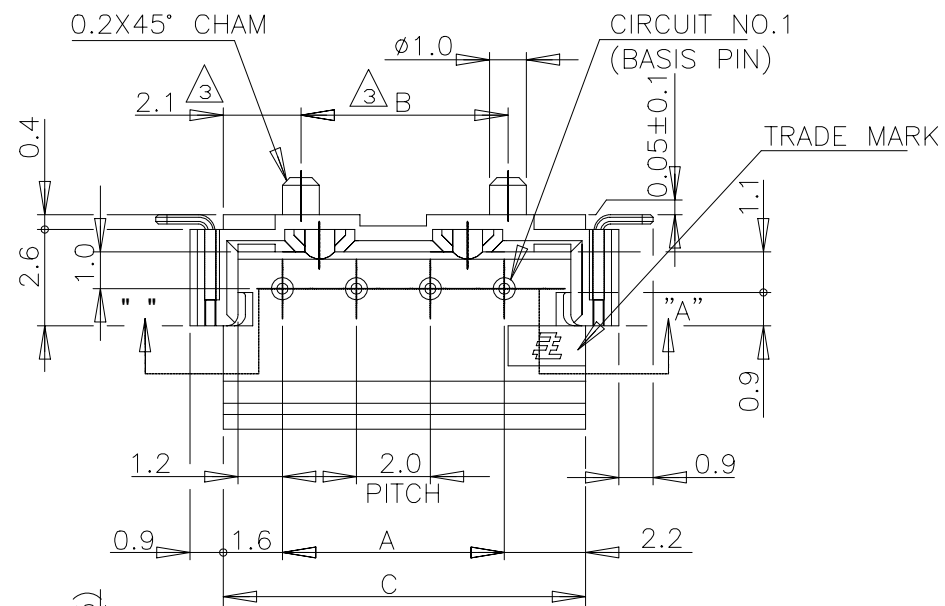
SIZE	CAGE CODE	DRAWING NO	RESTRICTED TO
A3	00779	C=292173	—

REV C5

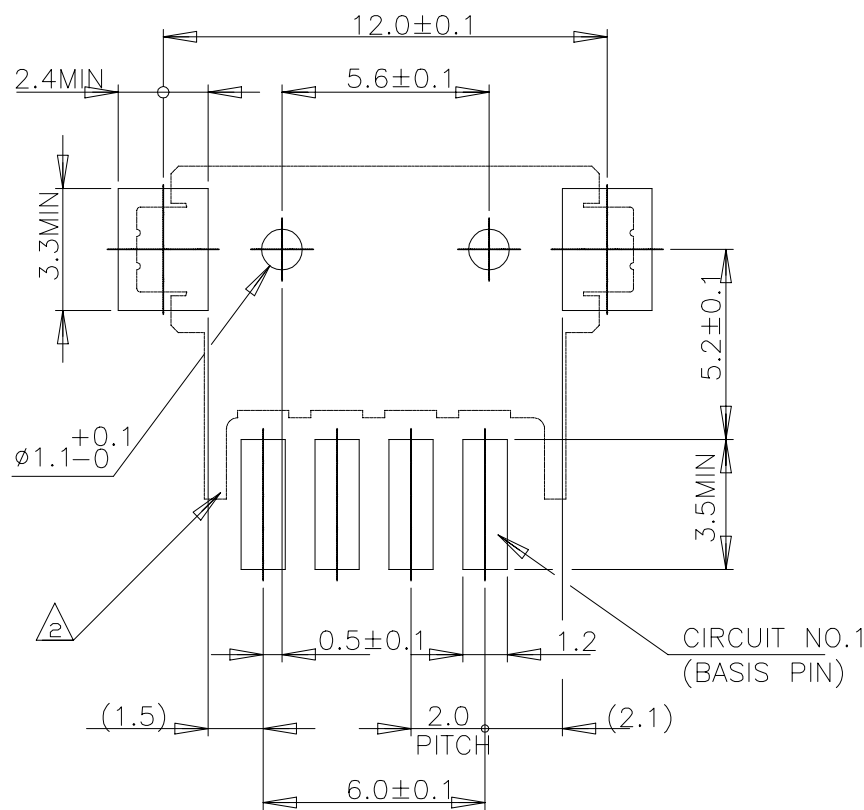
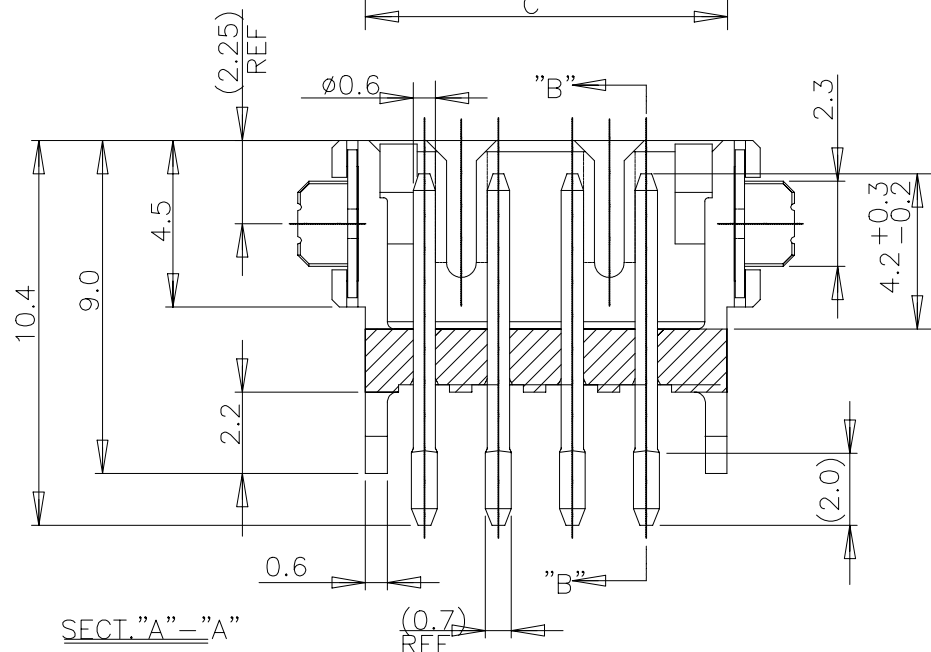
P	LTR	DESCRIPTION	DATE	DWN	APVD
-	-	SEE SHEET 1	-	-	-

D

(AS SHOWN : -4)



C

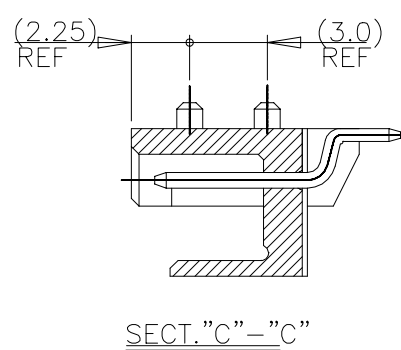
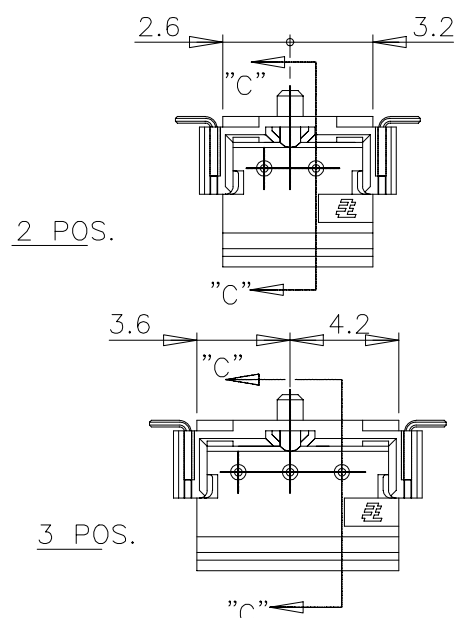


NOTES:

- MATERIAL:HSG-NYLON (UL94V-0)
COLOR:BLACK ,NATURAL
POST: TIN BRASS
TAIL: TIN BRASS

- OCCUPANT AREA ON PC BOARD
- 4P&ABOVE POS.
- 2P&3P
- TO BE MEASURED WITH CONNECTOR PLACED ON HORIZONTAL DATUM SURFACE ,FLOAT OF SOLDER TINE AND TAIL FROM DATUM SURFACE IS 0.1mm MAX

B



TOLERANCES UNLESS OTHERWISE SPECIFIED:
 10>* : ±0.2
 30>*>10 : ±0.25
 100>*>30 : ±0.3
 ANGEL : ±3°

THIS DRAWING IS A CONTROLLED DOCUMENT.		DWN	-
DIMENSIONS: MM		CHK	-
TOLERANCES UNLESS OTHERWISE SPECIFIED:		APVD	-
0 PLC ± -		PRODUCT SPEC	108-60016
1 PLC ± -		APPLICATION SPEC	-
2 PLC ± -		WEIGHT	-
3 PLC ± -		CUSTOMER DRAWING	-
4 PLC ± -		SCALE	++
ANGLES ± -		SHEET	4 OF 8
MATERIAL	SEE NOTE	FINISH	SEE NOTE

16.0	15.6	19.8	22.0	9	1-292173-9	292173-9
14.0	13.6	17.8	20.0	8	1-▲-8	▲-8
12.0	11.6	15.8	18.0	7	1-▲-7	▲-7
10.0	9.6	13.8	16.0	6	1-▲-6	▲-6
8.0	7.6	11.8	14.0	5	1-▲-5	▲-5
6.0	5.6	9.8	—	4	1-▲-4	▲-4
4.0	—	7.8	—	3	1-▲-3	▲-3
2.0	—	5.8	—	2	1-292173-2	292173-2
A	B	C	D	Pos.	NATURAL	BLACK
						P/N

STE TE Connectivity Ltd.

SMT TYPE POST HDR ASS'Y (H)
 WITH BOSS & TAIL TYPE
 (TE CT CONN. 2mm PITCH)

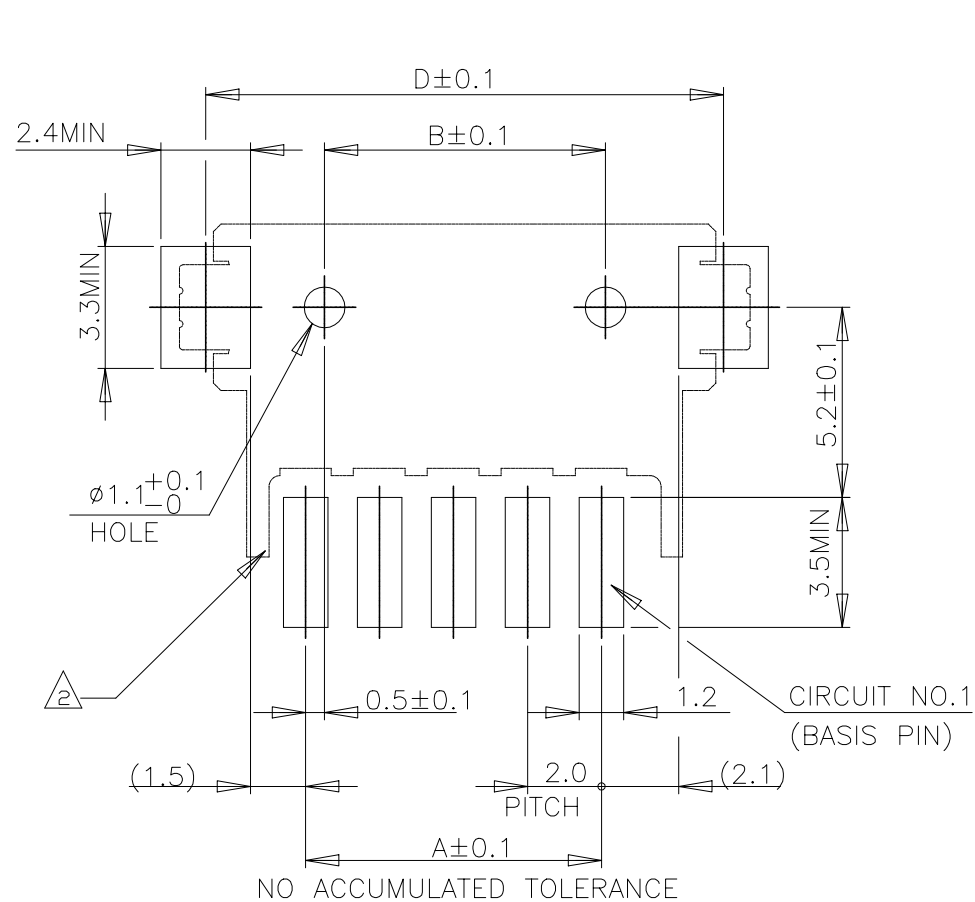
SIZE	CAGE CODE	DRAWING NO	RESTRICTED TO
A3	00779	C=292173	-

SCALE ++ SHEET 4 OF 8 REV C4

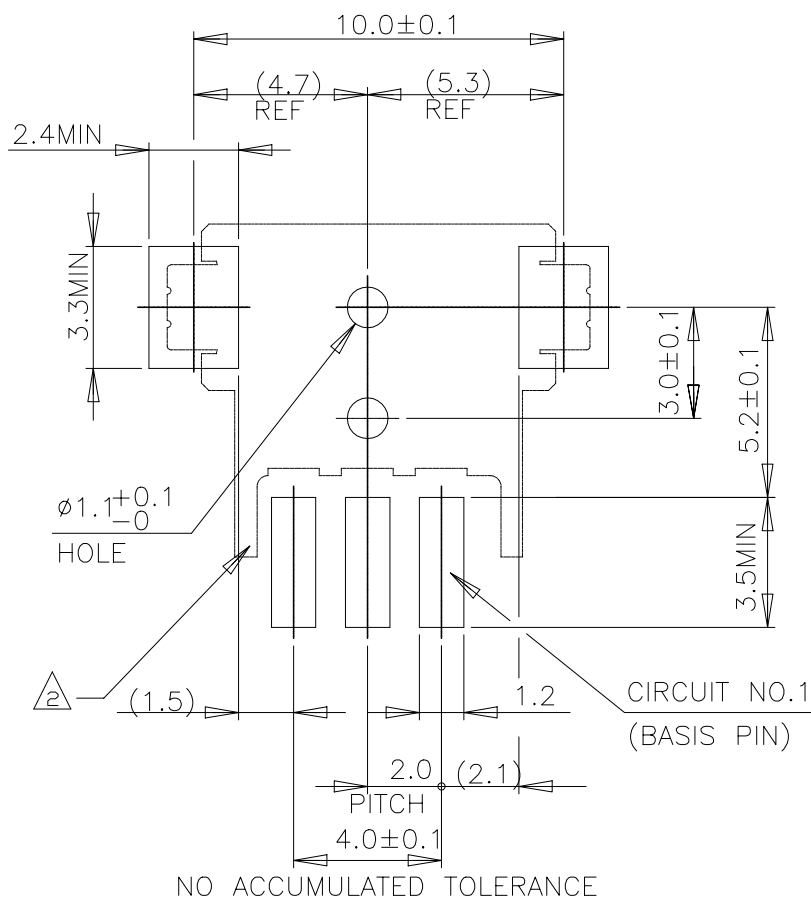
REVISIONS

P	LTR	DESCRIPTION	DATE	DWN	APVD
-	-	SEE SHEET 1	-	-	-

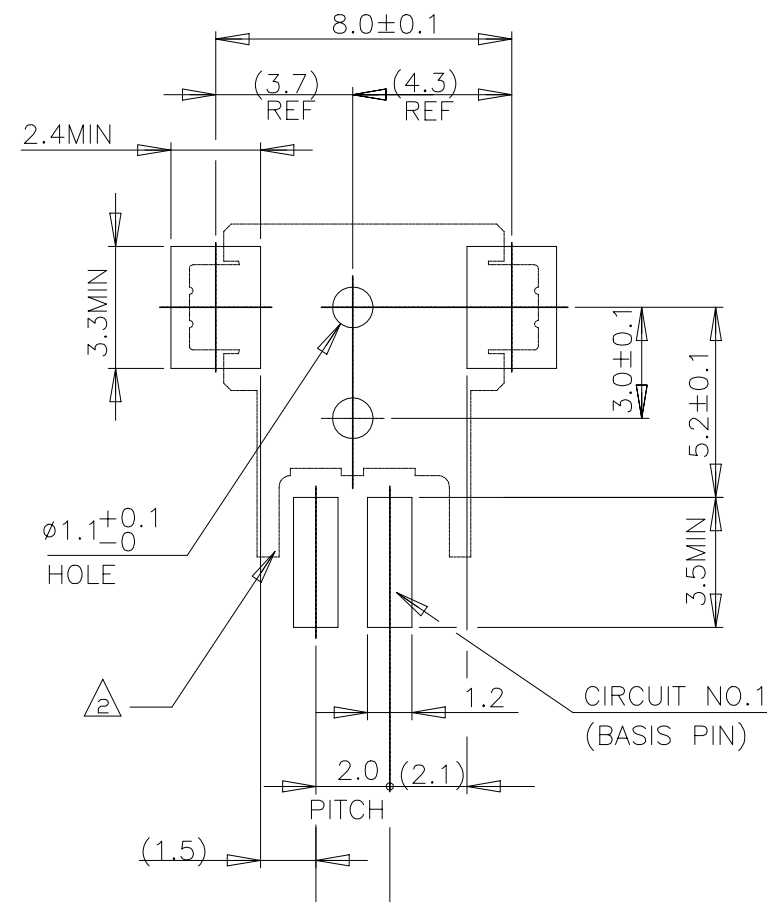
LAYOUT FOR 292173-X,1-292173-X



5 POS. & ABOVE POS.



3 POS.



2 POS.

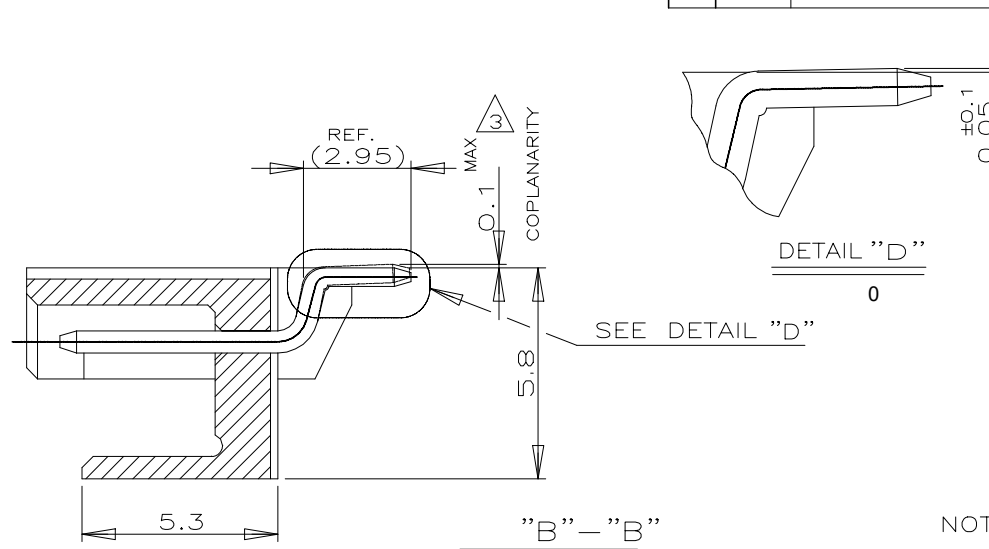
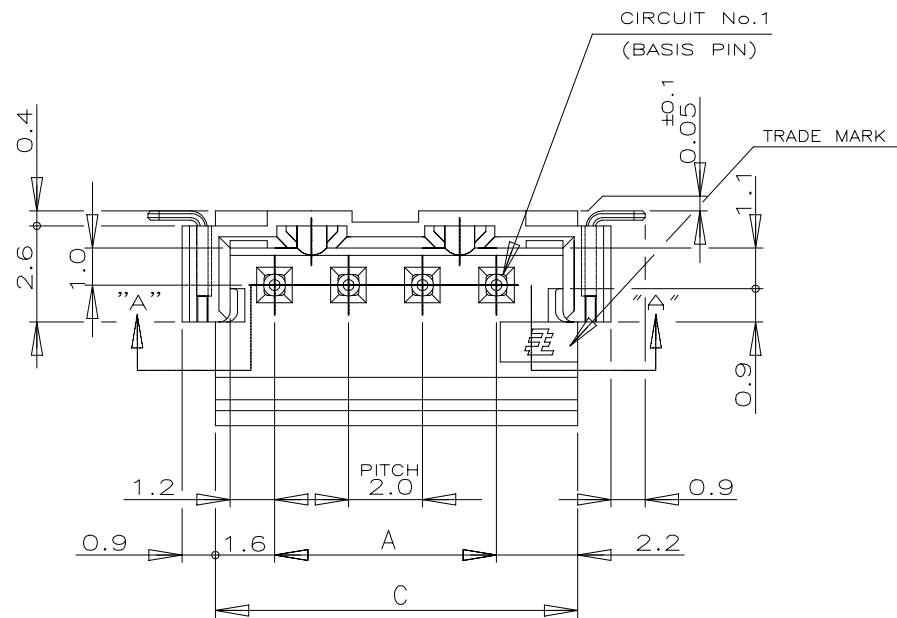
RECOMMENDED P.C. BOARD LAYOUT
(P.C.B THK:0.8mm MIN)

THIS DRAWING IS A CONTROLLED DOCUMENT.		DWN	-		
DIMENSIONS: MM		CHK	-		
TOLERANCES UNLESS OTHERWISE SPECIFIED:		APVD	-		
0 PLC ± -		PRODUCT SPEC	-		
1 PLC ± -		APPLICATION SPEC	-		
2 PLC ± -		WEIGHT	0		
3 PLC ± -		SIZE	A3		
4 PLC ± -		CAGE CODE	00779		
ANGLES ± -		DRAWING NO	C=292173		
FINISH		RESTRICTED TO	-		
MATERIAL		CUSTOMER DRAWING	SCALE	SHEET	REV
			+/+	5 OF 8	C4



SMT TYPE POST HDR ASSY H
WITH BOSS TYPE
CT CONN. 2mm PITCH

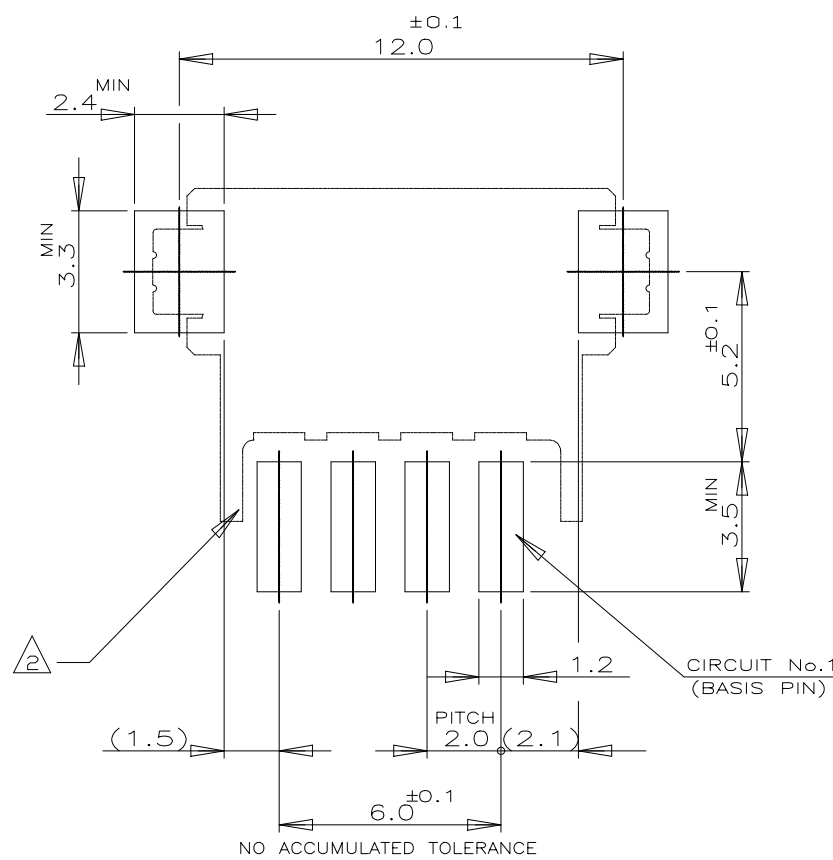
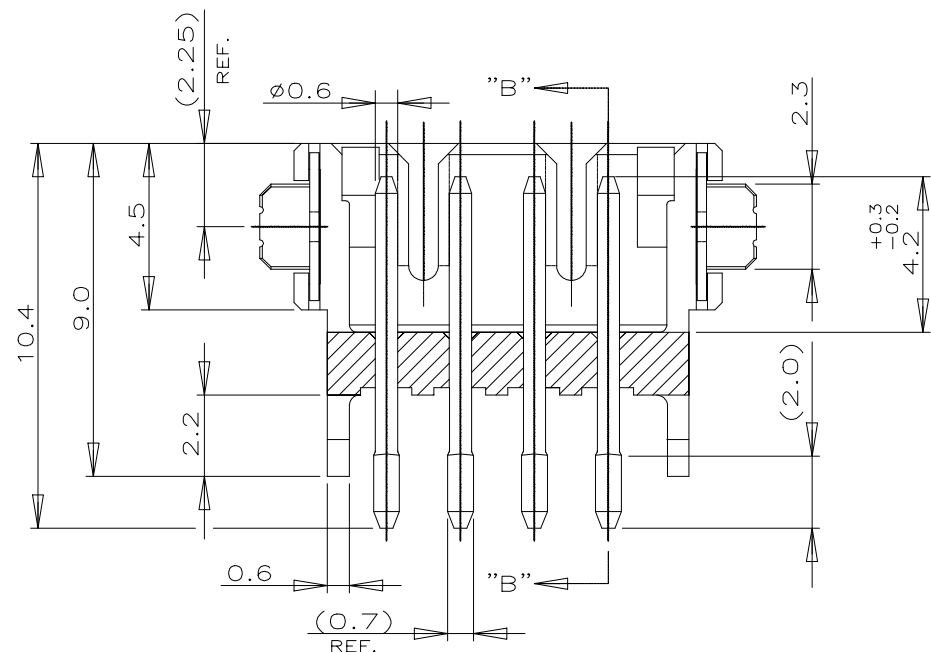
P	LTR	DESCRIPTION	DATE	DWN	APVD
-	-	SEE SHEET 1	-	-	-



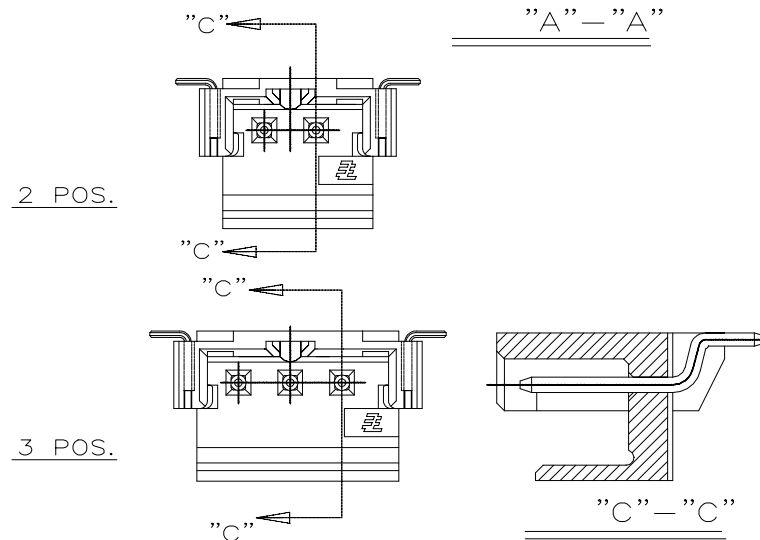
(AS SHOWN :4P)

NOTES:

- MATERIAL : HSG-NYLON UL94V-0
COLOR:BLACK,NATURAL
POST:TIN BRASS
TAIL: TIN BRASS
- OCCUPANT AREA ON PC BOARD
- TO BE MEASURED WITH CONNECTOR PLACED ON HORIZONTAL DATUM SURFACE,FLOAT OF SOLDER TINE AND TAIL FROM DATUM SURFACE IS 0.1mm MAX



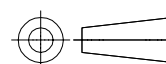
16.0	19.8	22.0	9	3-292173-9	2-292173-9
14.0	17.8	20.0	8	3-▲-8	2-▲-8
12.0	15.8	18.0	7	3-▲-7	2-▲-7
10.0	13.8	16.0	6	3-▲-6	2-▲-6
8.0	11.8	14.0	5	3-▲-5	2-▲-5
6.0	9.8	—	4	3-▲-4	2-▲-4
4.0	7.8	—	3	3-▲-3	2-▲-3
2.0	5.8	—	2	3-292173-2	2-292173-2
A	C	D	Pos.	NATURAL	BLACK
P/N					



R	D
0	0.2
30	0.2
00	0.3
30	3

THIS DRAWING IS A CONTROLLED DOCUMENT.

DIMENSIONS:
MM



MATERIAL
SEE NOTE

TOLERANCES UNLESS OTHERWISE SPECIFIED:

0 PLC	±
1 PLC	±
2 PLC	±
3 PLC	±
4 PLC	±
ANGLES	±

FINISH
SEE NOTE

DWN
CHK
APVD
PRODUCT SPEC
108-60016
APPLICATION SPEC
WEIGHT
CUSTOMER DRAWING

STE TE Connectivity Ltd.

SMT TYPE POST HDR ASS'Y (BOX-H)
W/O BOSS,WITH TAIL TYPE
(TE CT CONN. 2mm PITCH)

SIZE	CAGE CODE	DRAWING NO	RESTRICTED TO
A3	00779	C=292173	

SCALE \neq SHEET 6 OF 8 REV C4

4

3

2

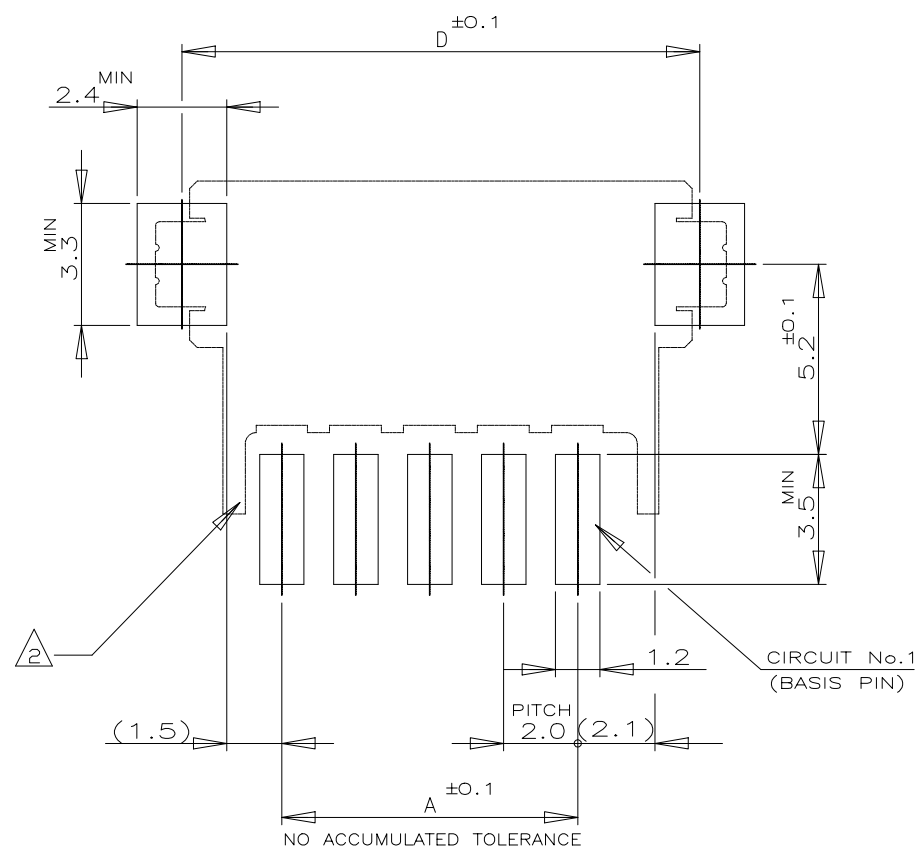
1

© - TE Connectivity. All Rights Reserved.

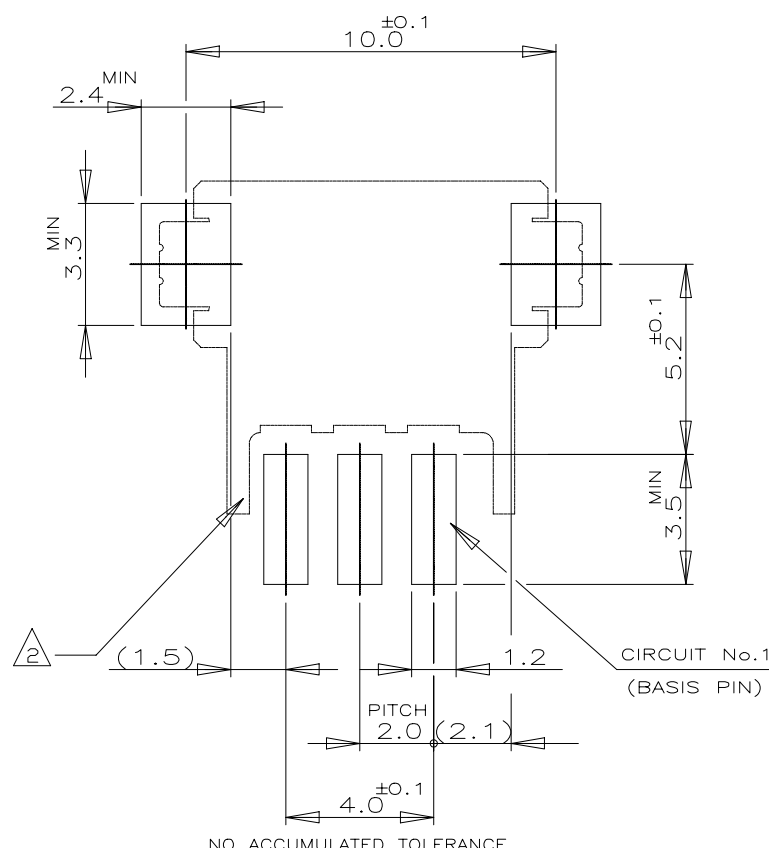
REVISIONS

P	LTR	DESCRIPTION	DATE	DWN	APVD
-	-	SEE SHEET 1	-	-	-

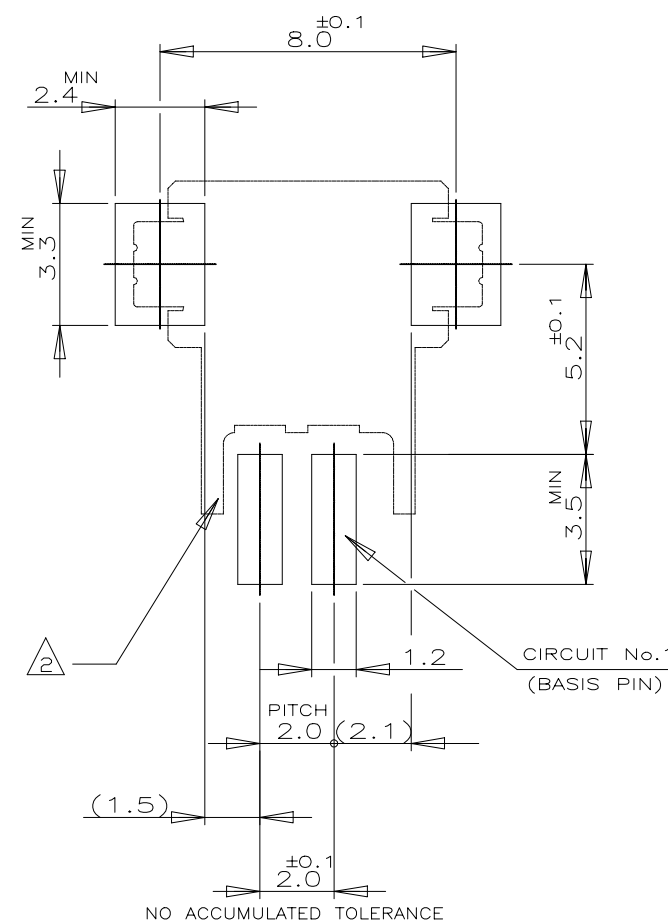
LAYOUT FOR 2-292173-X,3-2-292173-X



5 POS & ABOVE POS



3 POS



2POS

RECOMENOD P.C.BOARD LAYOUT
(P.C.B THK:0.8mm MIN)

THIS DRAWING IS A CONTROLLED DOCUMENT.		DWN	TE Connectivity Ltd.		
		CHK			
DIMENSIONS: MM		APVD	NAME		
TOLERANCES UNLESS OTHERWISE SPECIFIED:		PRODUCT SPEC	SMT TYPE POST HDR ASS'Y (H) W/O,WITH TAIL TYPE (TE CT CONN. 2mm PITCH)		
0 PLC ± -		APPLICATION SPEC	SIZE	CAGE CODE	DRAWING NO
1 PLC ± -			A3	00779	C=292173
2 PLC ± -			RESTRICTED TO		
3 PLC ± -		WEIGHT	-		
4 PLC ± -		CUSTOMER DRAWING	SCALE	SHEET	REV
ANGLES ± -			+/+	8 of 8	C4
FINISH					