

4

3

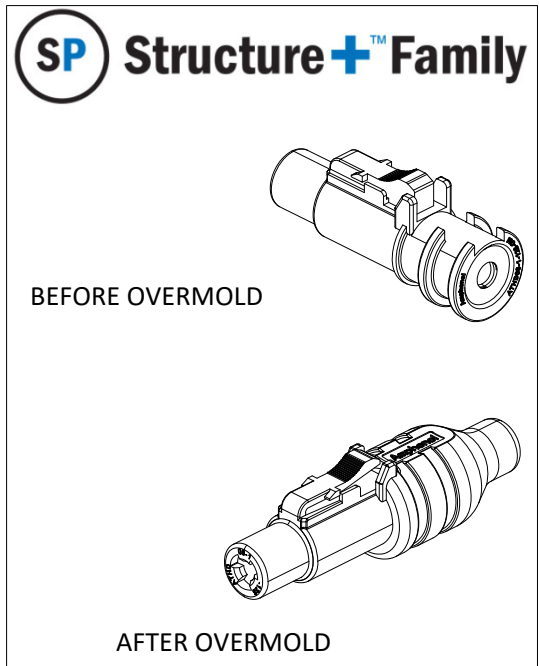
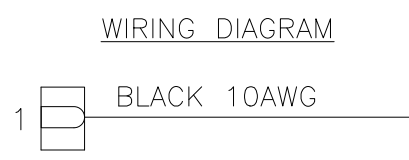
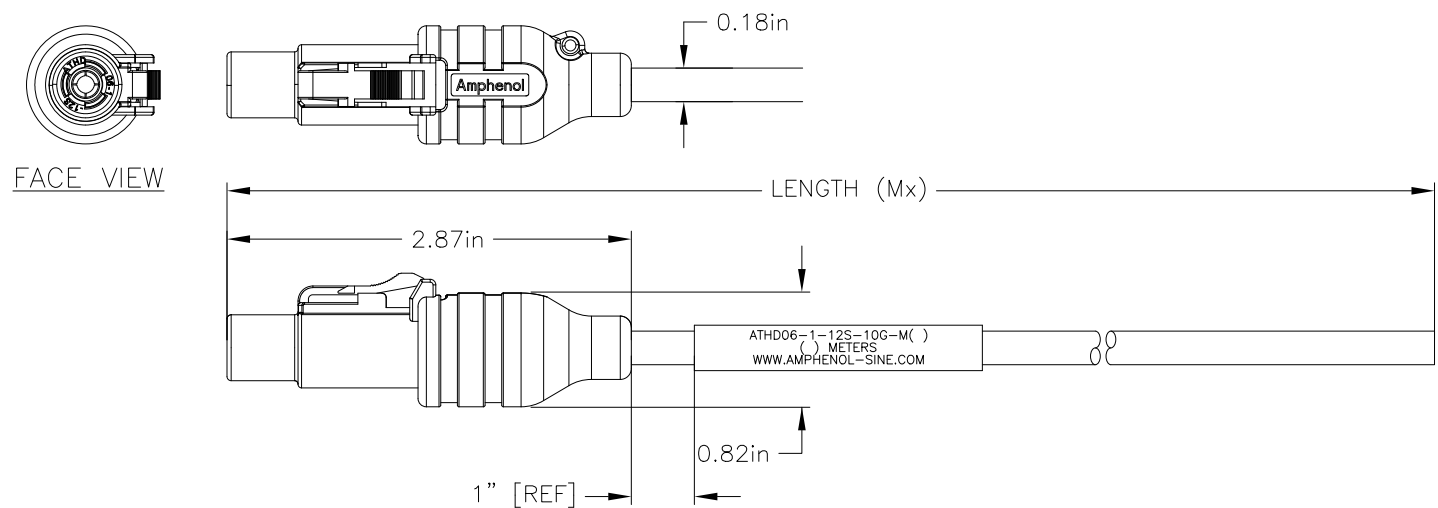
2

1

| LENGTH TABLE | |
|----------------------|-----------------|
| PART NUMBER | LENGTH (METERS) |
| ATHD06-1-12S-10G-M1 | 1 (3.28FT) |
| ATHD06-1-12S-10G-M2 | 2 (6.56FT) |
| ATHD06-1-12S-10G-M4 | 4 (13.12FT) |
| ATHD06-1-12S-10G-M5 | 5 (16.40FT) |
| ATHD06-1-12S-10G-M10 | 10 (32.80FT) |

| REVISIONS | | | | | | |
|-----------|------|-----|-------------|-----------|----|------|
| REV | ZONE | ECO | DESCRIPTION | DATE | BY | APPR |
| A1 | - | - | RELEASED | 3/31/2022 | RO | WS |

PLEASE CONTACT CSR FOR ADDITIONAL AVAILABLE OPTIONS



NOTES: UNLESS OTHERWISE SPECIFIED

- MATERIAL:
HOUSING: PA66
SEAL: SILICONE RUBBER
- MODIFICATIONS: OVERMOLDED (PA)
- CONNECTOR SPECIFICATIONS:
3.1 CURRENT RATING: 40AMPS
3.2 CABLE ASSEMBLY OPERATING TEMPERATURE: -40 TO +100C
3.3 CONTACT: COPPER ALLOY, NICKEL PLATED
3.4 DIELECTRIC WITHSTANDING VOLTAGE: LESS THAN 2 MILLIAMPS CURRENT LEAKAGE @ 1500 VOLTS AC.
3.5 INSULATION RESISTANCE: 1000 MEGAOHMS MIN @ 25C
3.6 MOISTURE RESISTANCE: IP68 MATED CONDITION (1M OF WATER FOR 24 HOURS).
3.7 MATING CYCLE DURABILITY: 100 CYCLES
3.8 RoHS COMPLIANT
- WIRE SPECIFICATIONS:
COMPONENTS: 10AWG, PVC INSULATED CONDUCTOR
105/30 STRANDS BARE COPPER.
INSULATION: PVC, BLACK
600V AC/DC
- APPROVALS:
UL TYPE AWM, STYLE 1015.
CSA TYPE TEW.
OIL RESISTANT I
SUN RESISTANT I
FT1 FLAME RATING
ROHS COMPLIANT.
- MATING PART: ATHD04-1-12P RECEPTACLE.
MATING CABLE ASSEMBLY: ATHD04-1-12P-10G-Mx
- ALL DIMENSIONS ARE FOR REFERENCE USE ONLY.

| QUANTITY | PART NUMBER | DESCRIPTION | ITEM |
|--|-------------|---|----------|
| MATERIALS LIST | | | |
| UNLESS OTHERWISE SPECIFIED 1) All dimensions are in metric (mm). 2) Tolerances are as follows: 1 PL DEC ±0.30 2 PL DEC ±0.15 3 PL DEC ±0.08 | | SIGNATURES DRAWN: RO 2/25/2022 CHECKED: WS 3/22/2022 ENGINEER: RO APPROVAL: WS 3/25/2022 | DATE |
| MATERIAL SPECIFICATIONS: | | CUSTOMER: | |
| PROCESS SPECIFICATIONS: | | THIS DRAWING IS SUPPLIED FOR INFORMATION ONLY. DESIGN FEATURES SPECIFICATIONS AND PERFORMANCE DATA SHOWN HEREON ARE THE PROPERTY OF THE AMPHENOL CORPORATION. NO RIGHTS OF REPRODUCTION ARE IMPLIED. ALL DIMENSIONS ARE SUBJECT TO NORMAL MANUFACTURING VARIATIONS. | |
| NEXT ASSY: | | SCALE: NONE | |
| | | <p style="text-align: center;">Amphenol</p> <p style="text-align: center;">Sine Systems - www.amphenol-sine.com 44724 Morley Drive Clinton Township, MI 48036</p> | |
| | | <p>1 POS PLUG SZ 12 MOLDED, SOCKET SIZE 12, 10AWG, SINGLE-ENDED WIRE ASSY, AMPHENOL ATHD CONNECTOR ATHD06-1-12S, X METERS</p> | |
| SIZE | TYPE | DWG NO: | REVISION |
| C | C- | ATHD06-1-12S-10G-Mx | A1 |
| SHEET 1 OF 1 | | | |

4

3

2

1