

MATERIALS AND FINISHES

BODY STAINLESS STEEL
PASSIVATED

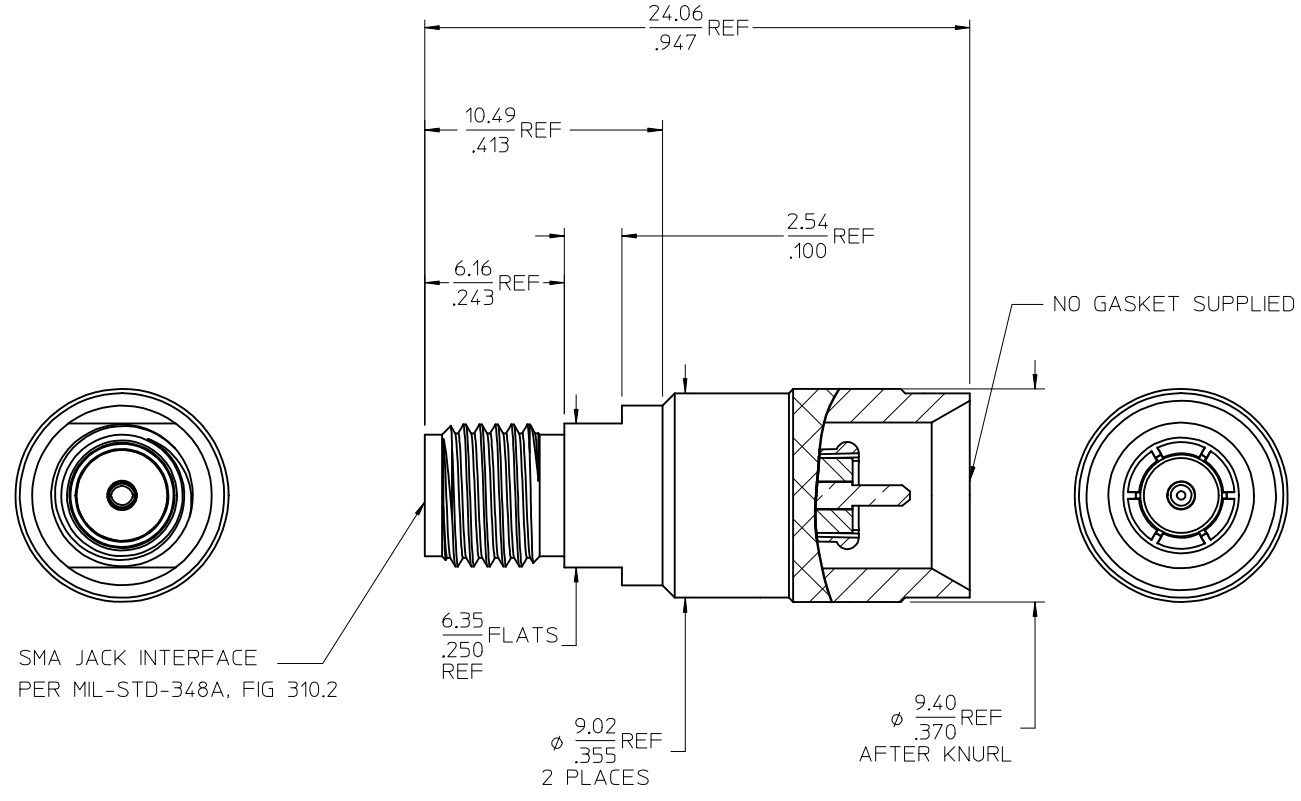
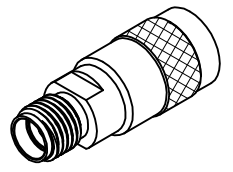
CENTER CONTACT
PLATED GOLD

OUTER CONTACT BERYLLIUM COPPER
PLATED NICKEL

INSULATOR TEFLON

ELECTRICAL PERFORMANCE:

VSWR: 1.30 MAX TO 18 GHZ



PART # 73251-2830

| | | |
|---|-----|-------------|
| CHG: NEW RELEASE EC NO: URF2007-0545 DRWN: FLAHERTY 2007/06/28 CHKD: SSHAH 2007/06/28 APPR: WIENER 2007/06/28 | REV | DESCRIPTION |
| | A | |
| | | |
| | | |
| | | |

| | |
|--|--|
| QUALITY SYMBOLS | ▽=0 ▽=0 |
| GENERAL TOLERANCES (UNLESS SPECIFIED) | |
| | 4 PLACES ± --- ± --- 3 PLACES ± --- ± --- 2 PLACES ± --- ± --- 1 PLACE ± --- ± --- ANGULAR ± 2 ° |
| DRAFT WHERE APPLICABLE MUST REMAIN WITHIN DIMENSIONS | |

| | |
|-----------------|------------|
| DIMENSION STYLE | MM/IN |
| DRAWN BY | TEF |
| DATE | 2005/12/27 |
| CHECKED BY | SSS |
| DATE | 2005/12/27 |
| APPROVED BY | JDW |
| DATE | 2005/12/27 |
| MATERIAL NO. | 732512830 |

| | | |
|---|--------------|------------------------|
| SCALE | DESIGN UNITS | THIRD ANGLE PROJECTION |
| | METRIC | |
| TITLE | | |
| SMA JACK TO SMA PLUG MODIFIED ADAPTER 50 OHM SMA-PJ/AD | | |
| MOLEX INCORPORATED | | |
| DOCUMENT NO. | SD-73251-283 | SHEET NO. |
| | | 1 OF 1 |
| THIS DRAWING CONTAINS INFORMATION THAT IS PROPRIETARY TO MOLEX INCORPORATED AND SHOULD NOT BE USED WITHOUT WRITTEN PERMISSION | | |