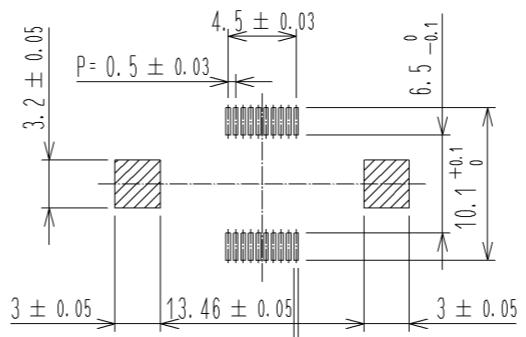
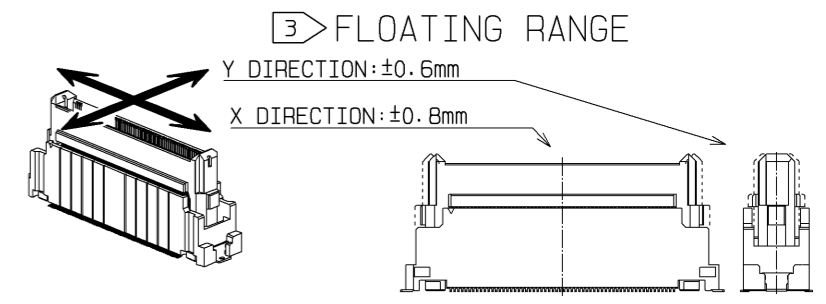


May.1.2023 Copyright 2023 HIROSE ELECTRIC CO., LTD. All Rights Reserved.
 In case of consideration for using Automotive equipment / device which demand high reliability, kindly contact our sales window correspondents.

Recommended land pattern dimension of PCB

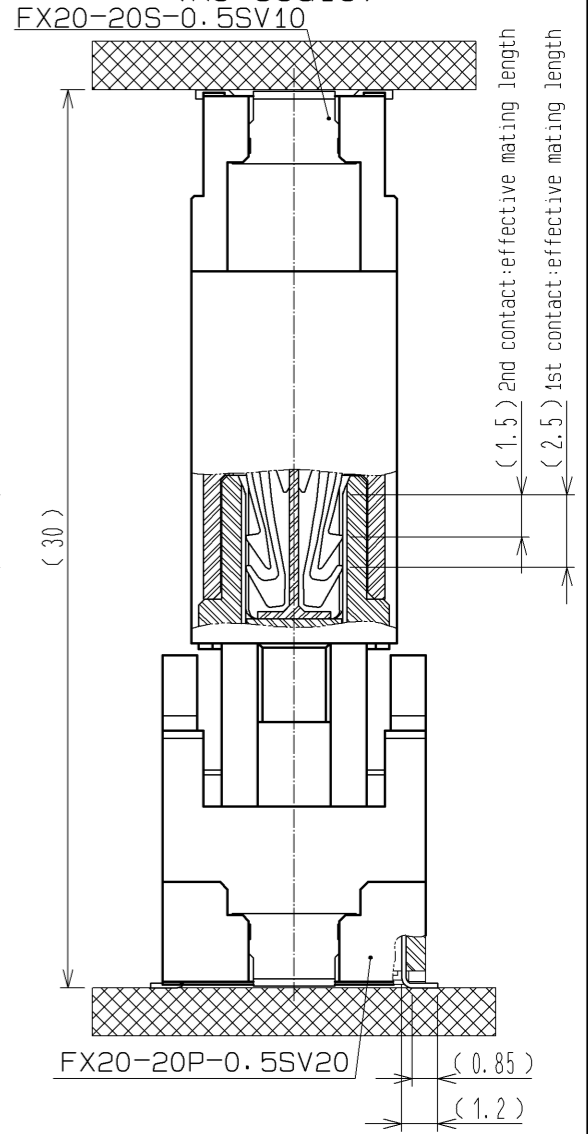


Land pattern: 0.3 ± 0.03
 Metal mask ($t=0.15$): 0.25 ± 0.03
 Metal mask ($t=0.12$): 0.3 ± 0.03

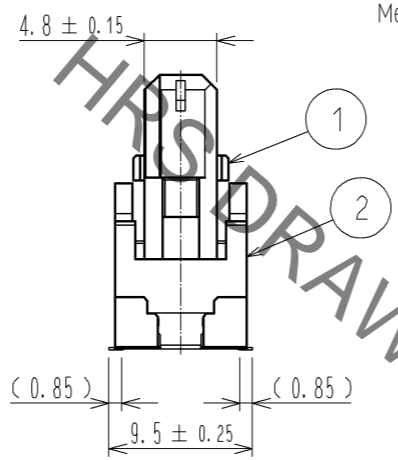
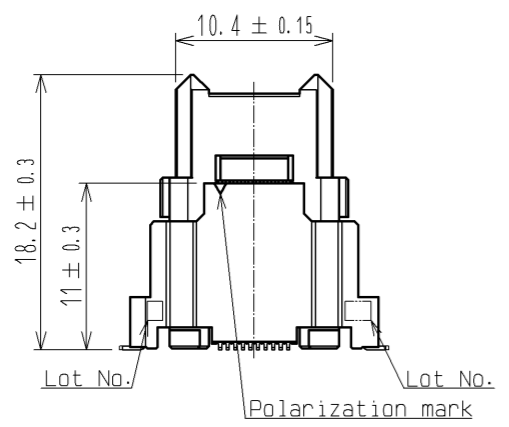
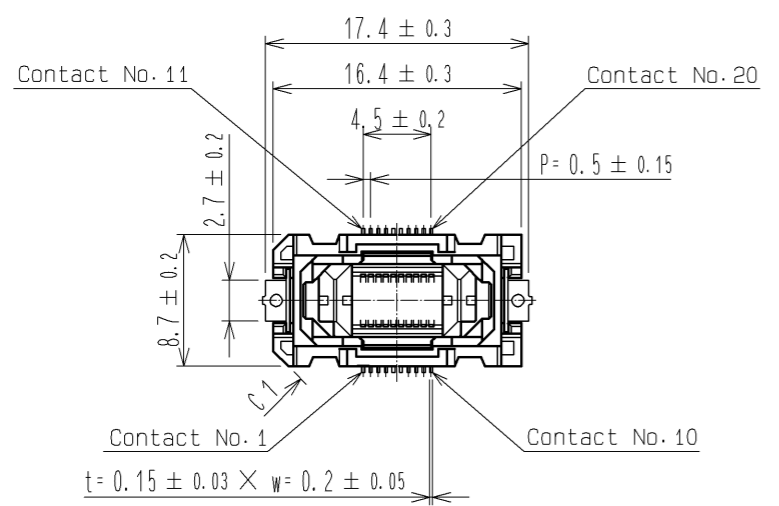
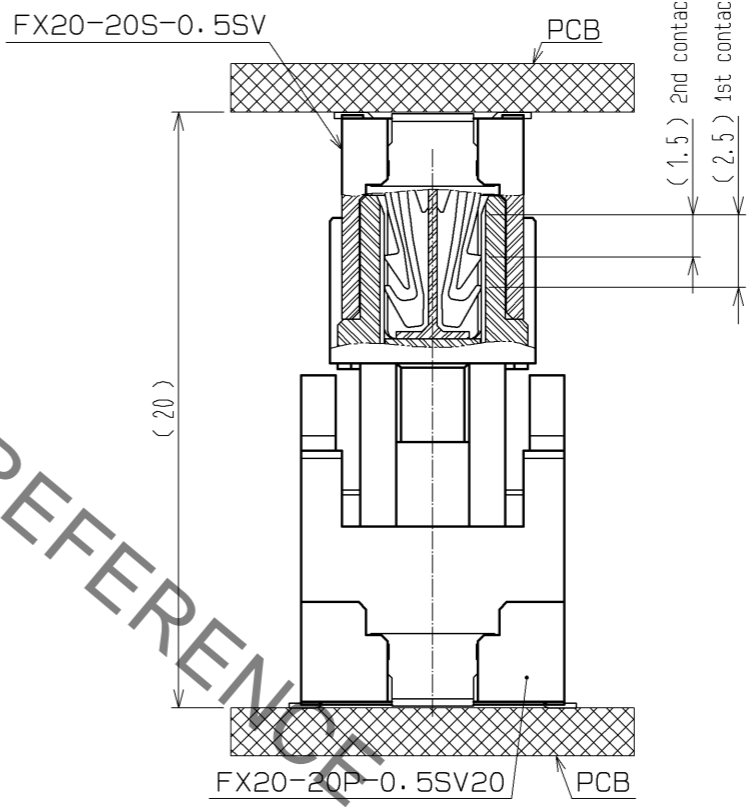
③ FLOATING RANGE

Y DIRECTION: $\pm 0.6\text{mm}$
 X DIRECTION: $\pm 0.8\text{mm}$

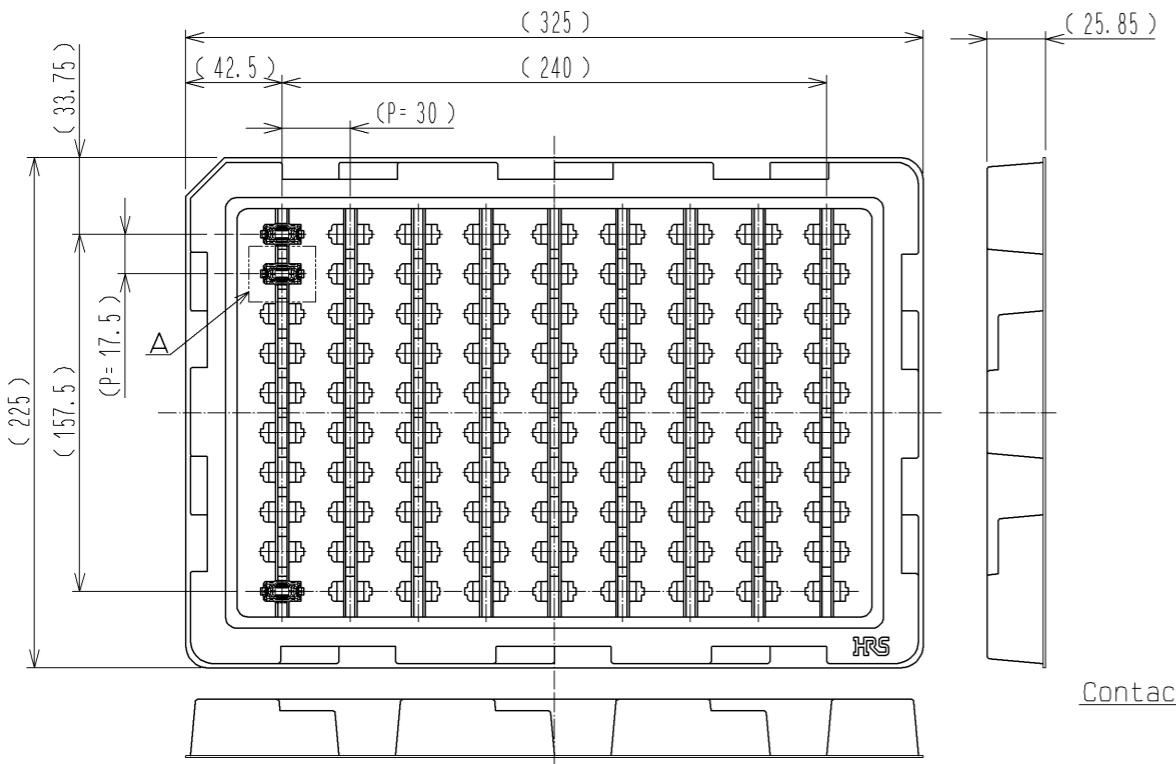
Drawing for mating (No scale)



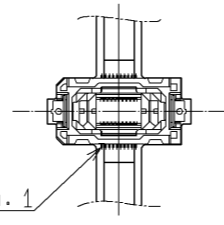
Drawing for mating (No scale)



② Drawing for packing (No scale)



A (1:1)



- Lead CO-Planarity is 0.1mm MAX.
- This is packaged in tray. (90pcs/tray)
- Floating range of this connector is $\pm 0.8\text{mm}$ MAX in the X direction and $\pm 0.6\text{mm}$ MAX in the Y direction.
- Blemish and hit mark can be occurred through out the manufacturing process which doesn't affect quality level.
- Please note that excessive wrenching force could damage this connector. Please refer to the guideline for detailed regulations of the mating method.
- The dimensions in parentheses are for references.

NO.	MATERIAL	FINISH	REMARKS	NO.	MATERIAL	FINISH	REMARKS
2	POLYAMIDE	BLACK	UL94V-0	4	BRASS	TIN-PLATING	1 μm
1	POLYAMIDE	BLACK	UL94V-0	3	COPPER ALLOY	CONTACT AREA: GOLD	0.1 μm
						LEAD AREA : GOLD	0.03 μm
						UNDER PLATING: NICKEL	1 μm

UNITS	SCALE	COUNT	DESCRIPTION OF REVISIONS	DESIGNED	CHECKED	DATE
mm	2 : 1	△				

APPROVED	DATE	DRAWING NO.
HS. OKAWA	13.10.07	EDC3-349946-00
KI. HIROKAWA	13.10.07	PART NO. FX20-20P-0.5SV20
TS. OONO	13.10.07	CODE NO. CL570-1015-5-00
TS. OONO	13.10.07	