

WDU24-1200

Electrical Specifications (@25C)

1. Primary Rating: 120V 60Hz (38W @ Full Load)
2. Primary Excitation Current: 85mA Max
3. Secondary Rating: 24VDC \pm 5%, 1200mADC
4. Secondary No-Load Rating: 31.49VDC Ref.
5. Output Ripple Voltage: 1350mV Max
6. Operating Temperature Range: -10 Deg C to +40 Deg C
7. Temperature Rise: 75 Deg C Max at rated load
50 Deg C Max on enclosure surface

Mechanical Parameters:

Case Type: Thermoplastic molded enclosure.
Output Cord: 24 AWG, 6 Ft. Long Min.

Agency File:

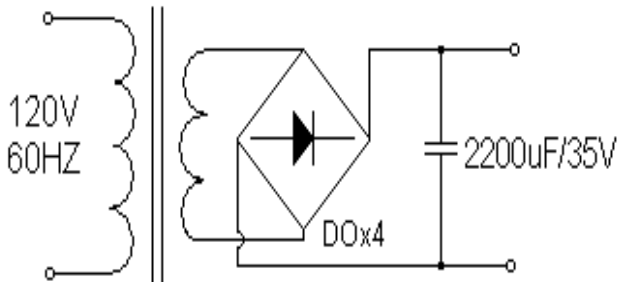
UL/CUL: File E245587, UL 1310

A. Dimensions:

H	W	D
85	68	55

*Units: In Millimeter

B. Schematic:

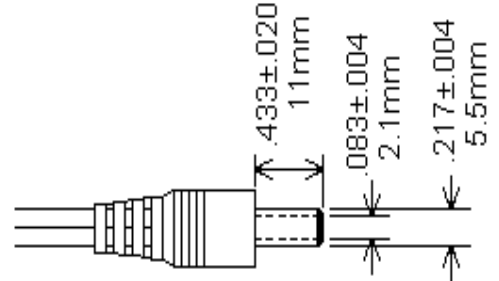
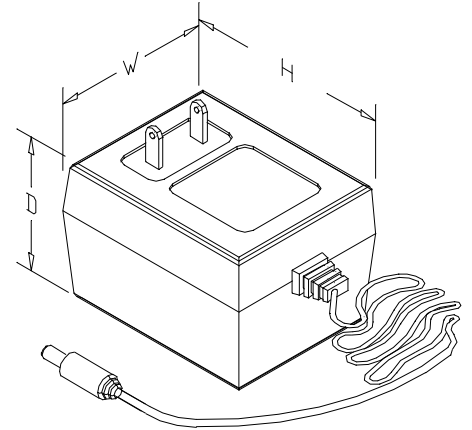


Technical Note: 1. Inside (tip)-positive (+), outside-negative (-)

DOE Compliance: Effective December 30, 2017, the DOE will now not consider an external power supply with specific characteristics to meet the definition of a device that is subject to EPCA regulation, as long as the power supply is not distributed for use with consumer products.

RoHS Compliance: As of manufacturing date February 2016, all standard products meet the requirements of 2015/863/EU, known as the RoHS 3 initiative.

* Upon printing, this document is considered "uncontrolled". Please contact Triad Magnetics' website for the most current version.



TRIAD

CLASS 2 POWER SUPPLY
MODEL:WDU24-1200
INPUT:120VAC 60Hz,38W
OUTPUT:24VDC @1200mA

-

+

LISTED
5G66
E245587

c

XXXX

MADE IN CHINA XXXX
FOR INDUSTRIAL AND COMMERCIAL USE ONLY