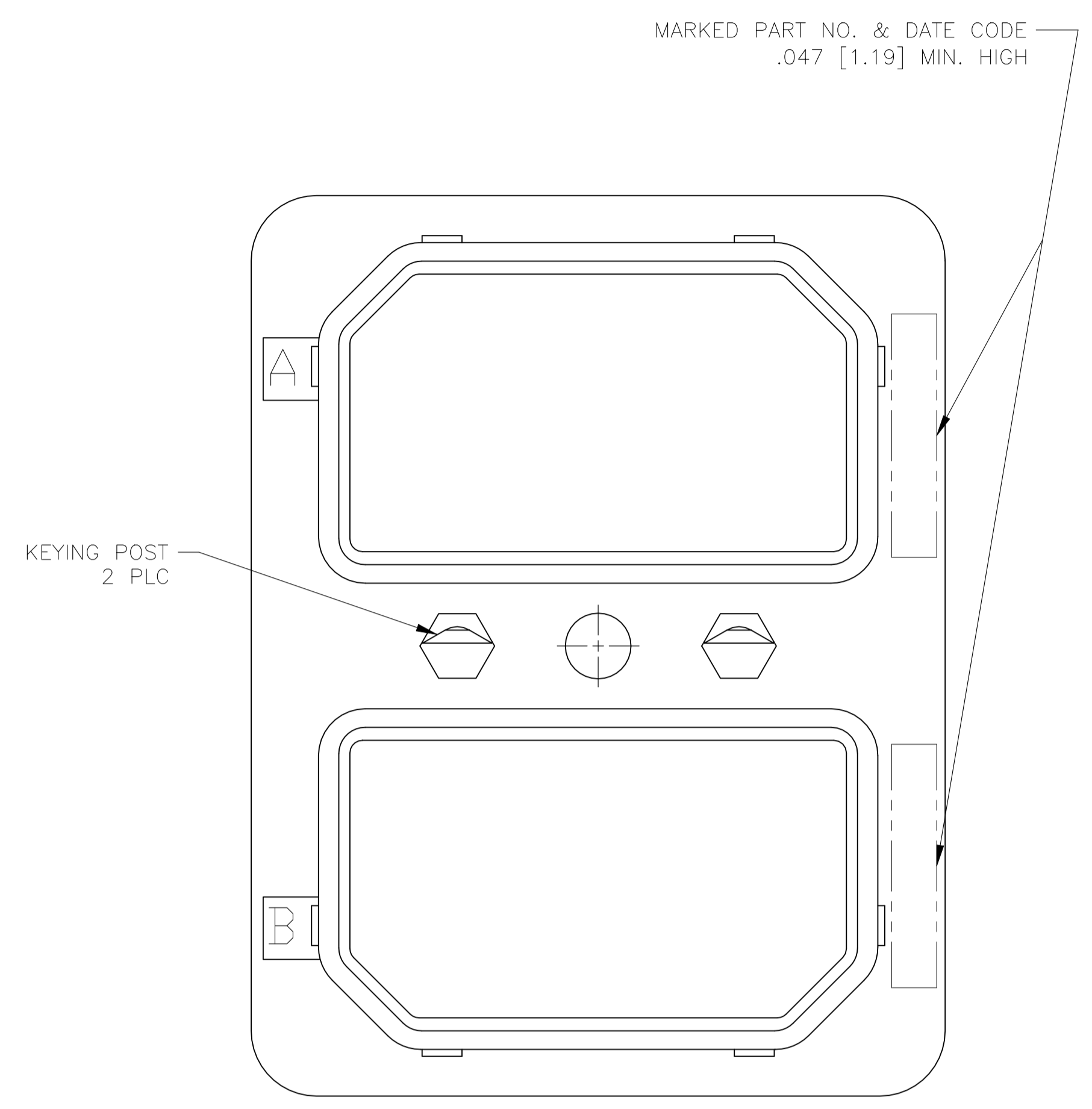
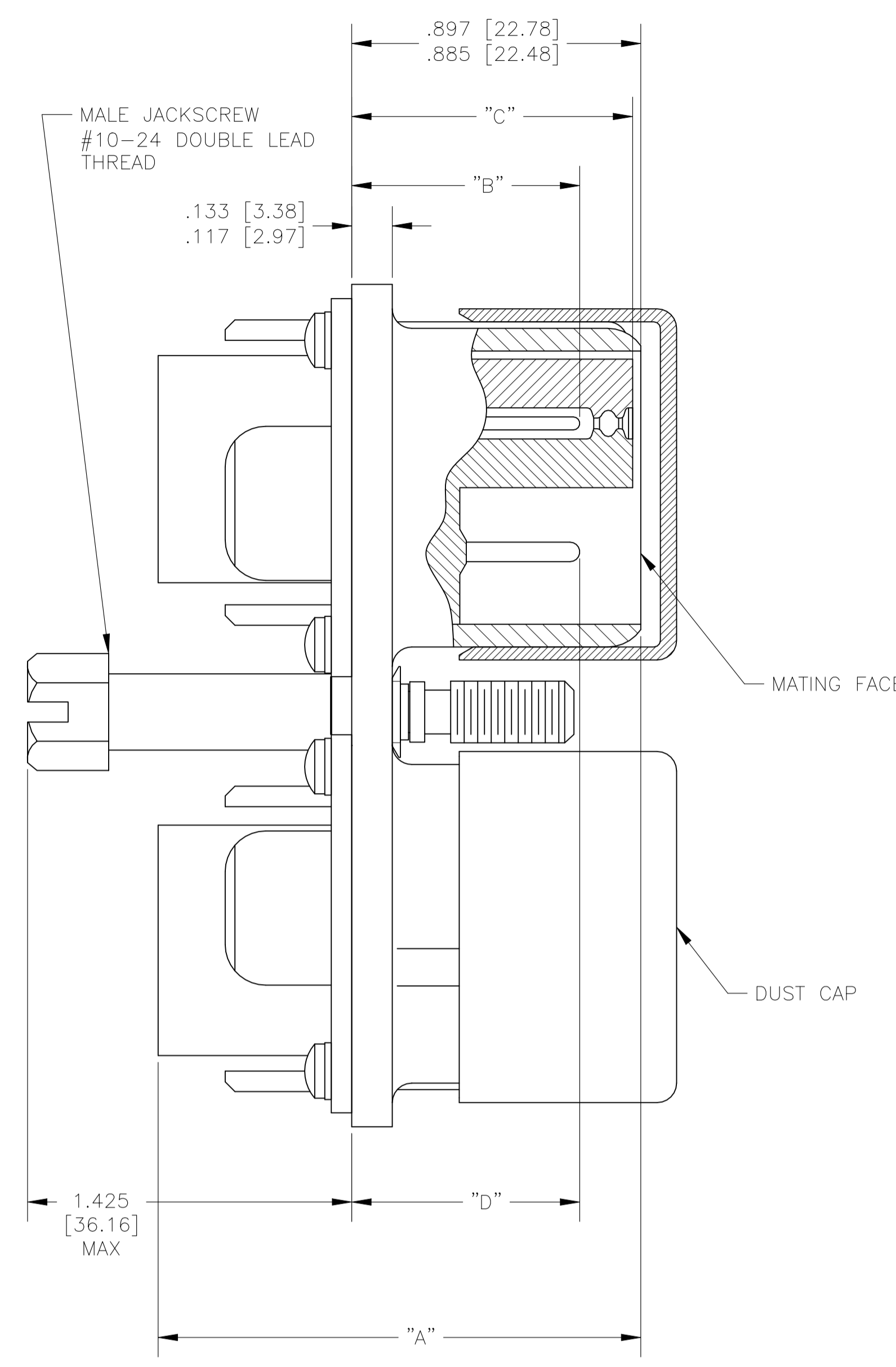
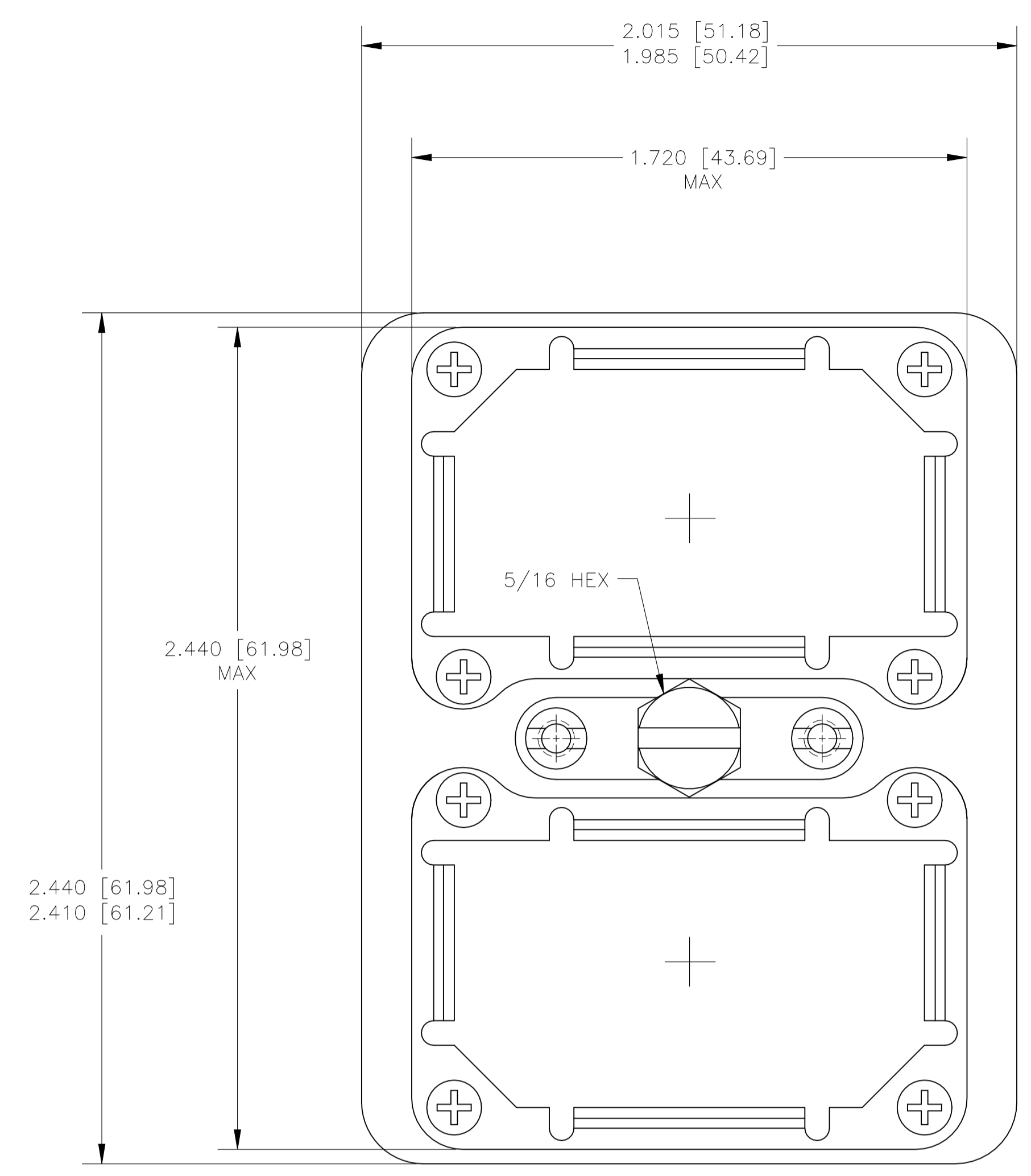


REVISIONS				
P	LTR	DESCRIPTION	DATE	APP'D
T		REVISE PER ECN-22-178829	13OCT2022	LP RL



- MATERIAL & FINISH YELLOW CHROMATE  
SHELL: DIE CAST ALUM. ALLOY PER QQ-A-591 OR  
OR ASTM B211, 6061-T6/6511 OR ASTM B209  
2024-T4/T351  
FINISH: CAD. PLATED PER QQ-P-416, TYPE I, CLASS 2  
YELLOW CHROMATE CONVERSION.  
INSULATOR, HARD: EPOXY PER MIL-M-24325.  
INSULATOR, SOFT: FLUOROSILICONE RUBBER, COLOR: BLUE.  
GROMMET PROTECTOR: ALUM. ALLOY, FINISH: BLUE EPOXY.  
POLARIZING POST & NUTS: STAINLESS STEEL.  
MALE JACKSCREW: STAINLESS STEEL.  
SCREWS & WASHERS: STEEL, CAD. PLATED PER QQ-P-416.  
DUST CAP: CLEAR VINYL.

CONTACTS SHOWN IN POSITION FOR ILLUSTRATION ONLY, ARE INCLUDED IN A CONTAINER WITHIN CONNECTOR PACKAGE FOR SHIPMENT, EXCEPT P/N'S 1-207596-1 THRU 2-207596-0.

- COAX CONTACTS & SEALING BOOTS MUST BE ORDERED SEPARATELY.
- FOR CONTACT SIZE 22 DIMENSION "B" REPRESENTS PIN CONTACTS & DIMENSION "D" REPRESENTS SOCKET CONTACTS.
- ALL METRIC DIMENSIONS ARE SHOWN IN PARENTHESIS.
- FOR MATING CONNECTOR SEE 207595.
- CONNECTORS ORDERED LESS CONTACTS WILL BE MARKED WITH SAME P/N AS CONNECTORS ORDERED WITH CONTACTS.

"B"				"C"				"D"			
22	20	16	12	22	20	16	12	22	20	16	12
.736	.827	.782	.793	.797	.893	.893	.893	.737	.700	.824	.824
[18.69]	[21.00]	[19.86]	[20.14]	[20.24]	[22.68]	[22.68]	[22.68]	[18.72]	[17.78]	[20.93]	[20.93]
.688	.769	.735	.746	.769	.865	.865	.865	.688	.585	.746	.746
[17.48]	[19.53]	[18.67]	[18.95]	[19.53]	[21.97]	[21.97]	[21.97]	[17.48]	[14.86]	[18.95]	[18.95]

"A" MAX	INSERT ARRANGEMENT			
	26	32C2	67	106
1.541	1.625	1.425	1.541	
[39.14]	[41.28]	[36.20]	[39.14]	

PART NO.	ARRANGEMENT		PART NO. (LESS CONTACTS)	OBSOLETE
	IN MODULE "A"	IN MODULE "B"		
207596-1	(106S)	(67P)	1-207596-1	OBSOLETE
OBSOLETE 207596-2	(106S)	(26P)	1-207596-2	OBSOLETE
207596-3	(106S)	(106S)	1-207596-3	OBSOLETE
OBSOLETE 207596-4	(106S)	(106P)	1-207596-4	OBSOLETE
207596-5	(106P)	(106P)	1-207596-5	OBSOLETE
207596-6	(106P)	(26S)	1-207596-6	OBSOLETE
OBSOLETE 207596-7	(106P)	(67S)	1-207596-7	OBSOLETE
OBSOLETE 207596-8	(106P)	(67P)	1-207596-8	OBSOLETE
207596-9	(106P)	(32C2S)	1-207596-9	OBSOLETE
1-207596-0	(106S)	(32C2P)	2-207596-0	

THIS DRAWING IS A CONTROLLED DOCUMENT.		DIN J.KAISER 23-SEP-03	 TE Connectivity
DIMENSIONS: INCHES		CIK J.MARKEY 23-SEP-03	
TOLERANCES UNLESS OTHERWISE SPECIFIED:		APVD J.MARKEY 23-SEP-03	PLUG CONNECTOR INSTALLATION (WITH CENTER MALE JACKSCREW)
0. PLC ± -		NAME	
1. PLC ± -		APPLICATION SPEC	SIZE
2. PLC ± -		RESTRICTED TO	SCALE
3. PLC ± .005(0.13)		WEIGHT	SHEET
4. PLC ± -		0.000000	1 OF 1
ANGLES ± -		A1 00779 C=207596	REV
MATERIAL		CUSTOMER DRAWING	T