

THIS DRAWING IS UNPUBLISHED.

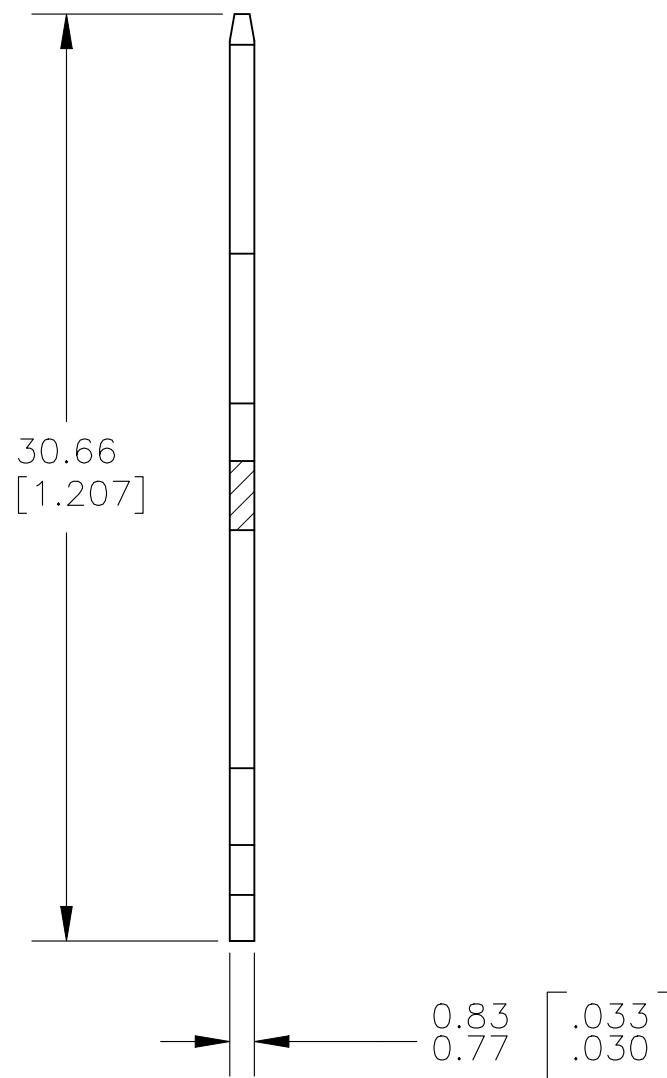
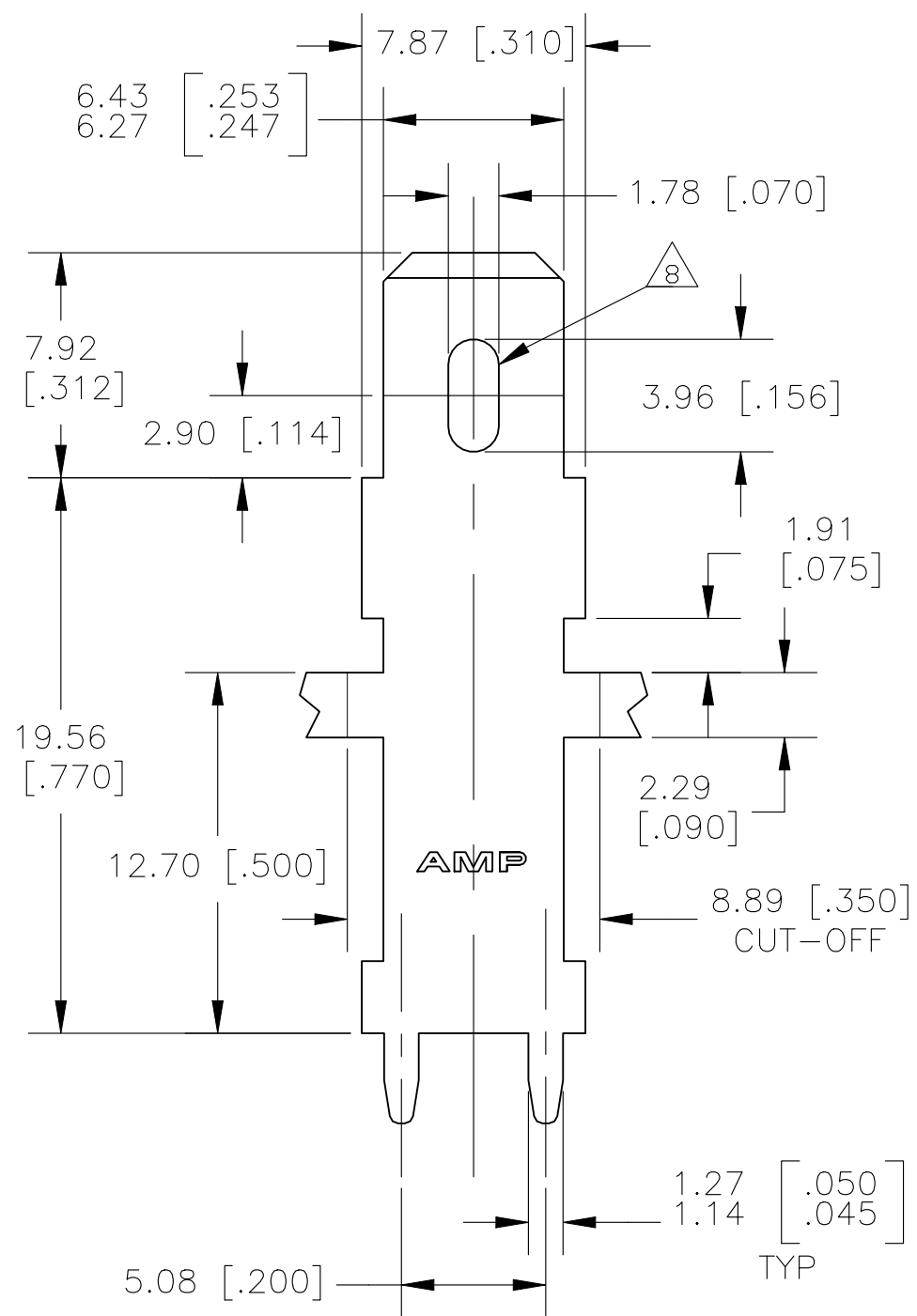
RELEASED FOR PUBLICATION

ALL RIGHTS RESERVED.

© COPYRIGHT - By -

REVISIONS

| P | LTR | DESCRIPTION | DATE | DWN | APVD |
|---|-----|---------------------------|-----------|-----|------|
| | H3 | REVISED PER ECR-21-100983 | 19MAR2021 | PC | AF |
| | H4 | REVISED PER ECR-21-104641 | 18AUG2021 | BDA | AF |



- 1 CONTINUOUS STRIP ON REELS.
- 2 FEED IS 8.89±0.076 [.350±.003].
- 3 0.00381 [.000150] MIN TIN OVER 0.00127 [.000050] MIN NICKEL.
- 4 REELED WITH INTERLEAVING PAPER.
- 5 PRELIMINARY - NOT FOR PRODUCTION.
- 6 LOOSE PIECE STYLE.
- 7 PRE PRODCUTION,FASR NEEDED.
- 8 HOLE IS REMOVED FOR PART NUMBER 63950-6.
- 9 TERMINAL UNMATING MAY BE LOWER THAN UL 310 SPECIFICATION VALUES WITH SOME MATING FASTON RECEPTACLES DUE TO NO HOLE FEATURE BEING PRESENT.

| | | | |
|---|---|----------|-------------|
| 8 | 9 | BRASS | 63950-6 |
| | 6 | BRASS | 63950-4 |
| | 4 | BRASS | 63950-3 |
| | | BRASS | 63950-2 |
| | | BRASS | 63950-1 |
| | | MATERIAL | PART NUMBER |

| | | | | | | | | | | | | | | | | | | |
|--|---------------|--------|----------|------------------|----------------------------|---------------|---------------|------------|---------------|-------|-----|--------|-----|--------------|--|--|--|--|
| THIS DRAWING IS A CONTROLLED DOCUMENT. | | DWN | JR RUTH | 05DEC2000 | STE TE Connectivity | | | | | | | | | | | | | |
| DIMENSIONS: MM [INCHES] | | CHK | MS FEHER | 05DEC2000 | | | | | | | | | | | | | | |
| TOLERANCES UNLESS OTHERWISE SPECIFIED: | | APVD | G PORTA | 05DEC2000 | NAME | | | | | | | | | | | | | |
| <table border="0"> <tr><td>0 PLC</td><td>± -</td></tr> <tr><td>1 PLC</td><td>± -</td></tr> <tr><td>2 PLC</td><td>± 0.25 [.010]</td></tr> <tr><td>3 PLC</td><td>± -</td></tr> <tr><td>4 PLC</td><td>± -</td></tr> <tr><td>ANGLES</td><td>± -</td></tr> </table> | | 0 PLC | ± - | 1 PLC | ± - | 2 PLC | ± 0.25 [.010] | 3 PLC | ± - | 4 PLC | ± - | ANGLES | ± - | PRODUCT SPEC | | TAB, FASTON, P.C. BOARD, 6.35 [.250] SERIES | | |
| 0 PLC | ± - | | | | | | | | | | | | | | | | | |
| 1 PLC | ± - | | | | | | | | | | | | | | | | | |
| 2 PLC | ± 0.25 [.010] | | | | | | | | | | | | | | | | | |
| 3 PLC | ± - | | | | | | | | | | | | | | | | | |
| 4 PLC | ± - | | | | | | | | | | | | | | | | | |
| ANGLES | ± - | | | | | | | | | | | | | | | | | |
| MATERIAL SEE TABLE | | FINISH | | APPLICATION SPEC | | RESTRICTED TO | | | | | | | | | | | | |
| | | 3 | | 114-2115 | | SIZE | CAGE CODE | DRAWING NO | RESTRICTED TO | | | | | | | | | |
| | | | | CUSTOMER DRAWING | | A3 00779 | | C-63950 | | | | | | | | | | |
| | | | | SCALE | | SHEET | | REV | | | | | | | | | | |
| | | | | 4:1 | | 1 OF 2 | | H4 | | | | | | | | | | |

THIS DRAWING IS UNPUBLISHED.

RELEASED FOR PUBLICATION

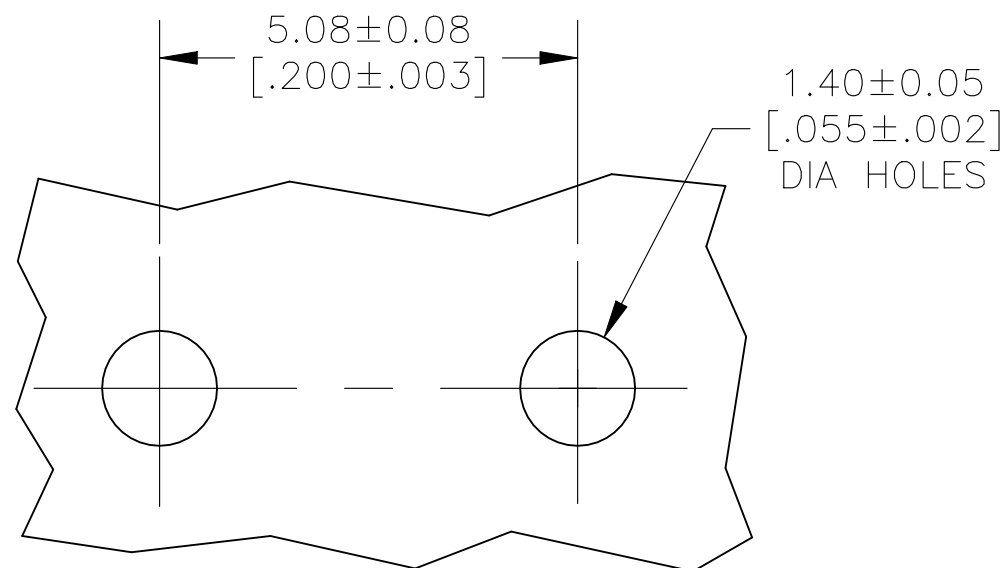
-. -. .

REVISIONS


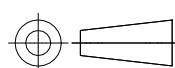
© COPYRIGHT - By -

ALL RIGHTS RESERVED.

| P | LTR | DESCRIPTION | DATE | DWN | APVD |
|---|-----|-------------|------|-----|------|
| - | - | SEE SHEET 1 | - | - | - |



P.C.BOARD HOLES
SCALE 10:1

| | | | | | | | |
|---|--|------------------------------|--|-----------------|--------------------|-----------------------|--------------------|
| THIS DRAWING IS A CONTROLLED DOCUMENT. | | DWN JR RUTH 05DEC2000 |  TE Connectivity | | | | |
| DIMENSIONS: MM [INCHES] | | CHK MS FEHER 05DEC2000 | | | | | |
|  | | APVD G PORTA 05DEC2000 | NAME TAB, FASTON, P.C. BOARD, 6.35 [.250] SERIES | | | | |
| TOLERANCES UNLESS OTHERWISE SPECIFIED: 0 PLC ± - 1 PLC ± - 2 PLC ± 0.25 [.010] 3 PLC ± - 4 PLC ± - ANGLES ± - | | PRODUCT SPEC - | APPLICATION SPEC 114-2115 | | | | |
| MATERIAL SEE TABLE | | FINISH - | WEIGHT - | SIZE A3 | CAGE CODE 00779 | DRAWING NO C-63950 | RESTRICTED TO - |
| CUSTOMER DRAWING | | | SCALE 4:1 | SHEET 2 OF 2 | REV H4 | | |