

SUMMARY



Image is for illustrative purpose only

Wires

| | |
|------------------|-----------------------------------|
| Coax | 1 |
| Series | 00 |
| Termination type | Female solder |
| IP rating | 50 |
| AWG wire size | 0.00 - 0.00 |
| Cable Ø | 1.30 - 1.70 mm |
| Status | active |
| Matching parts | FFA.00.250.CTAC17 |

Download

- [Request a quote](#)
- [Catalog](#)

TECHNICAL DETAILS

Mechanics

| | |
|-------------------|---|
| Shell Style/Model | PSA*: Fixed receptacle, nut fixing, with cable collet |
| Keying | Circular, female |
| Housing Material | Brass (chrome plated [SAE AMS 2460]) shell and collet nut, nickel plated [SAE AMS QQ N 290] brass latch sleeve and mid pieces |
| Weight | 4.17 g |

Performance

| | |
|---------------|--------------------------|
| Configuration | 00.250 : 1 Coax (50 Ohm) |
| Insulator | T: PTFE |
| Rated Current | 4 Amps |

Specifications

- Contact Type: Coaxial 50 Ohm (Solder)
- Contact Dia.: 0.7 mm (0.028in)
- Bucket Dia.: 0.6 mm (0.024in)
- Test voltage: 2.1 kV (rms)
- R (max): 6.1 mOhm
- Vtest: 2100 V (AC), 3000 V (DC)
- 2
- Impedance: 50 Ohm

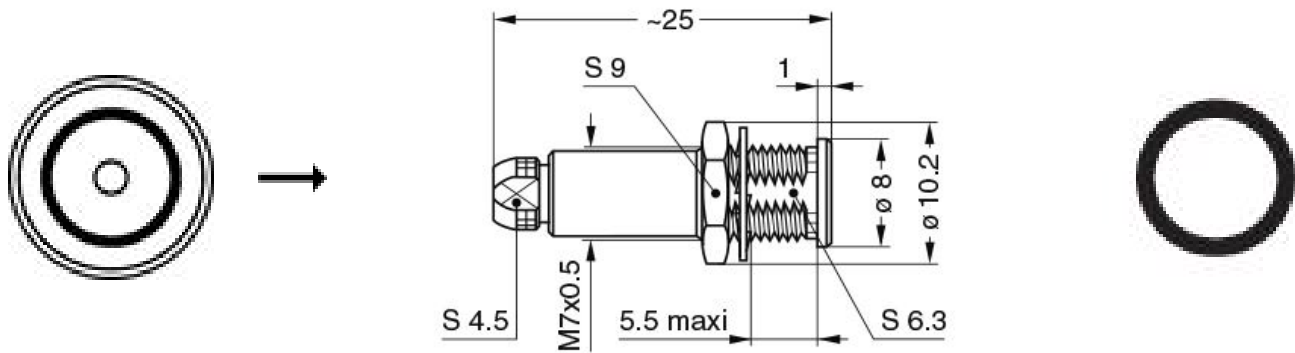
LEMO products and services are provided "as is". LEMO makes no warranties or representations with regard to LEMO product & services or use of them, express, implied or statutory, including for accuracy, completeness, or security. The user is fully responsible for his products and applications using LEMO components.

VSWR: $1.09 + 0.11 * f/\text{GHz}$

Others

Endurance (Shell): 5000 mating cycles
F ret (min): 100 N
Salt Spray Corrosion: >1000 hr

DRAWINGS



Dimensions

| | A | E _{max} | L | S | S1 | S2 | e |
|-----|------|------------------|------|------|------|------|--------|
| mm. | 8 | 5.5 | 25 | 4.5 | 6.3 | 4.5 | M7x0.5 |
| in. | 0,31 | 0,22 | 0,98 | 0,18 | 0,25 | 0,18 | |

RECOMMENDED BY LEMO

Tools

Spanner wrench: [DCD.00.ZZZ.PA045](#)

LEMO products and services are provided "as is". LEMO makes no warranties or representations with regard to LEMO product & services or use of them, express, implied or statutory, including for accuracy, completeness, or security. The user is fully responsible for his products and applications using LEMO components.