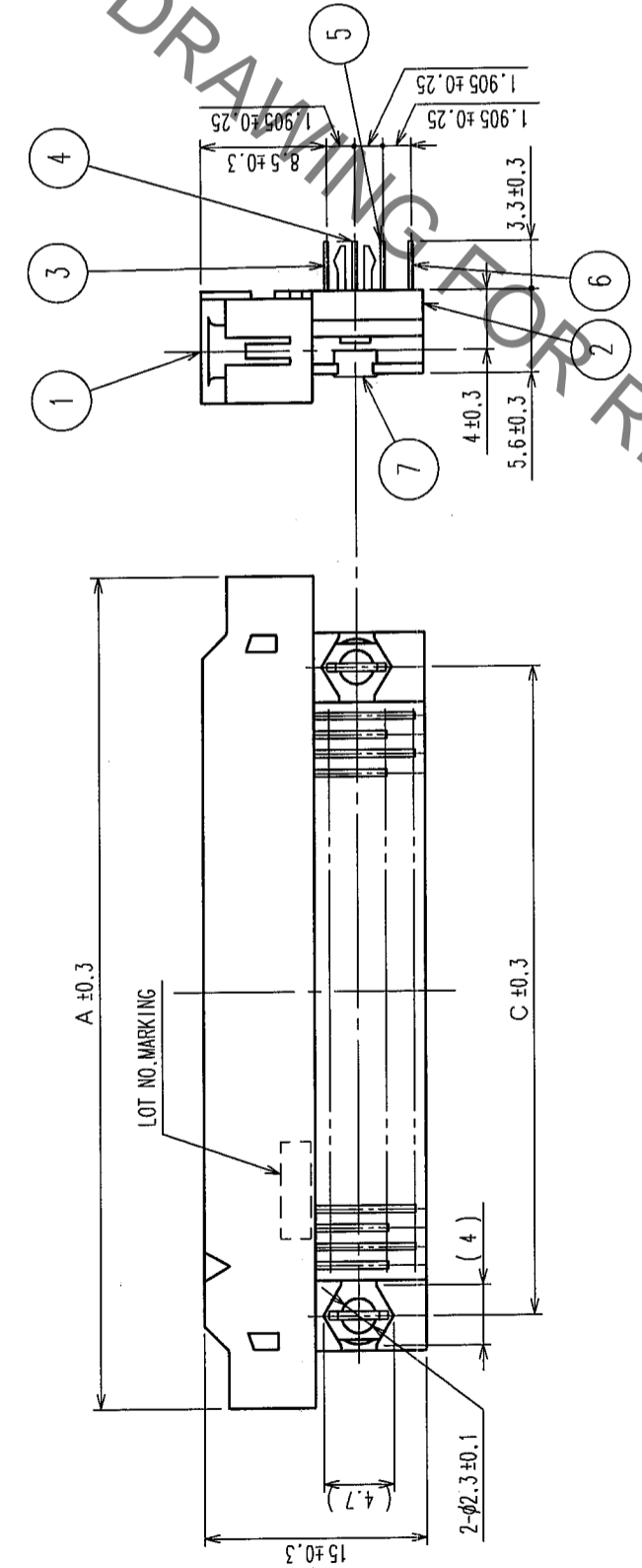
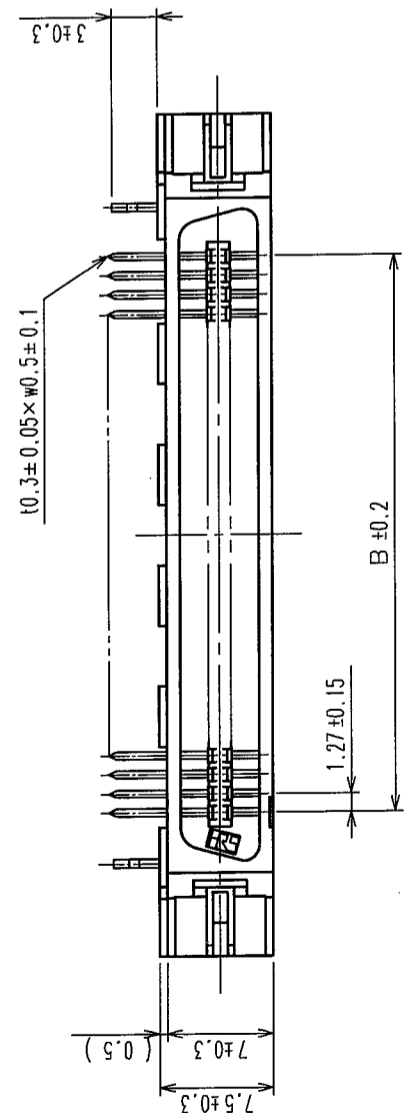


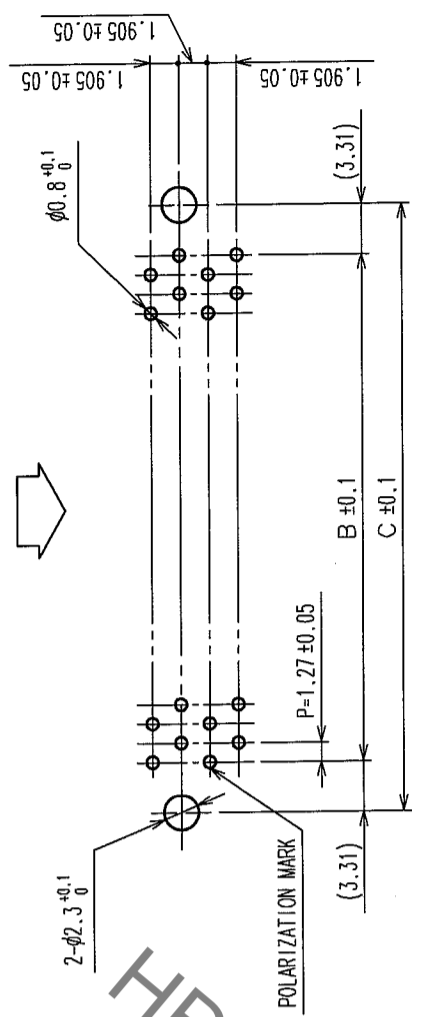
In case of consideration for using Automotive equipment / device which demand high reliability, kindly contact our sales window correspondents.

COUNT	DESCRIPTION OF REVISIONS	BY	CHKD	DATE	COUNT	DESCRIPTION OF REVISIONS	BY	CHKD	DATE
△					△				
△					△				
△					△				



RECOMMEND PC BOARD HOLE PATTERN ( MOUNTING SIDE )

MATING SIDE



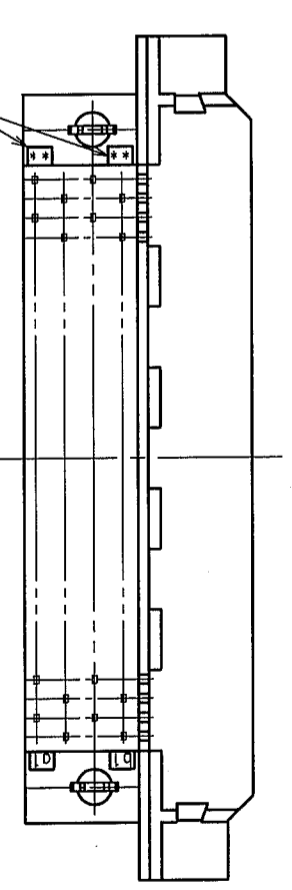
PART No.	CODE No.	A	B	C	D
FX2B-20P-1.27DSL(71)	CL572-0751-8-71	20	30.33	11.43	18.05
FX2B-32P-1.27DSL(71)	CL572-0752-0-71	32	37.95	19.05	25.67
FX2B-40P-1.27DSL(71)	CL572-0753-3-71	40	43.03	24.13	30.75
FX2B-52P-1.27DSL(71)	CL572-0754-6-71	52	50.65	31.75	38.37
FX2B-60P-1.27DSL(71)	CL572-0755-9-71	60	55.73	36.83	43.45
FX2B-68P-1.27DSL(71)	CL572-0756-1-71	68	60.81	41.91	48.53
FX2B-80P-1.27DSL(71)	CL572-0757-4-71	80	68.43	49.53	56.15
FX2B-100P-1.27DSL(71)	CL572-0758-7-71	100	81.13	62.23	68.85

NOTES  
 1. STANDOFF DIFFERS ACCORDING TO PRODUCTS.  
 2. THE DIMENSIONS IN PARENTHESES ARE FOR REFERENCE.  
 3. NUMBER OF PIN.

NO.	MATERIAL	FINISH, REMARKS	NO.	MATERIAL	FINISH, REMARKS
7	PHOSPHOR BRONZE	TIN-PLATING	3~6	PHOSPHOR BRONZE	
1, 2	POLYAMIDE	BLACK	UL94V-0		

CODE NO. (OLD)	CL	DESIGNED	CHECKED	APPROVED	RELEASED
		I.OKAYAMA	H.OKAWA	H.OKAWA	
		04.06.02	04.06.02	04.06.14	04.06.14



TO PCK

DRAWING NO.	PART NO.
EDC3-082284-21	FX2B-***P-1.27DSL(71)

SCALE	CODE NO.
FREE	CL572

HRS HIROSE ELECTRIC CO., LTD.