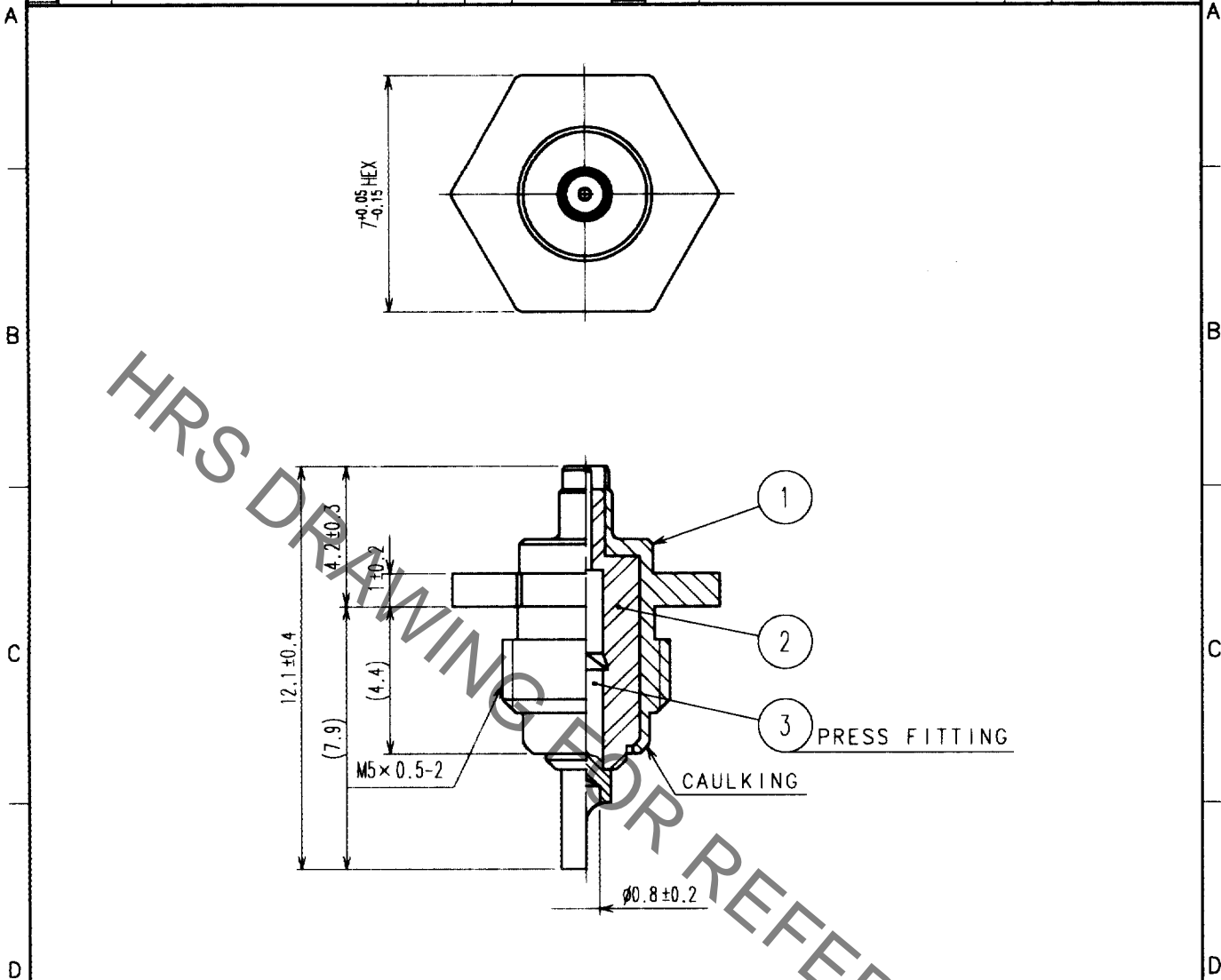


May 1, 2023 Copyright 2023 HIROSE ELECTRIC CO., LTD. All Rights Reserved.  
 In case of consideration for using Automotive equipment / device which demand high reliability, kindly contact our sales window correspondents.

1		2			3			4		
COUNT	DESCRIPTION OF REVISIONS	BY	CHKD	DATE	COUNT	DESCRIPTION OF REVISIONS	BY	CHKD	DATE	
△					△					
△					△					
△					△					



NOTE 1. THIS PRODUCT DOES NOT PROVIDE A LOCKING STRUCTURE. USE ONLY AS CHECKING TERMINALS FOR THE W.FL SERIES.

2. THIS PRODUCT DOES NOT PROVIDE WRENCHING PREVENTION. ALIGN THE AXIS OF THE MATING PAIR AND INSERT AND EXTRACT VERTICALLY.

3. ROTATIONAL POSITION OF THE SOLDER CUP OF THE CENTER CONTACT SHALL BE OPTIONAL.

3	BERYLLIUM COPPER	GOLD PLATING
2	PTFE	
1	STAINLESS STEEL	NICKEL PLATING

NO.	MATERIAL	FINISH, REMARKS	NO.	MATERIAL	FINISH, REMARKS
-----	----------	-----------------	-----	----------	-----------------

CODE NO. (OLD) CL396-4428-B		DRAWN S. Saito 03.06.10	DESIGNED N. Ninomiya 03.06.10	CHECKED M. Yamane 03.06.10	APPROVED T. Kobayashi 03.06.10	RELEASED
--------------------------------	--	-------------------------------	-------------------------------------	----------------------------------	--------------------------------------	----------

 SCALE 5 : 1 UNITS mm	DRAWING NO. EDC4-136554	PART NO. W.FL-R-1
	 HIROSE ELECTRIC CO., LTD.	CODE NO. CL331-0483-9

TO
RF