

K-No.: 26820

100/150A Current Sensor

For the electronic measurement of currents:
DC, AC, pulsed, mixed with a galvanic Isolation
between the primary circuit (high power) and the
secondary circuit (electronic circuit)



Date: 05.03.2018

Customer: Standard Type

Customers Part no:

Page 1 of 3

Description

- Closed loop (compensation) Current Sensor with magnetic probe
- Printed circuit board mounting
- Casing and materials UL-listed

Characteristics

- excellent accuracy
- very low offset current
- very low temperature dependency and offset current drift
- very low hysteresis of offset current
- short response time
- wide frequency bandwidth
- compact design
- reduced offset ripple

Applications

Mainly used for stationary operation in industrial applications:

- AC variable speed drives and servo motor drives
- static converters for DC motor drives
- Battery supplied applications
- Switched Mode Power Supplies (SMPS)
- Power supplies for welding applications
- Uninterruptable Power Supplies (UPS)

Electrical data - Ratings

I_{PN}	Primary nominal RMS current	100/150	A
V_{OUT}	Output voltage @ $I_{PN}=100A$	$V_{REF} \pm (0.625 \cdot I_P / I_{PN})$	V
V_{OUT}	Output voltage @ $I_P=0A, \vartheta_A=25^\circ C$	$V_{REF} \pm 0.001$	V
V_{REF}	External Reference voltage range	0 ... 4	V
	Internal Reference voltage	2.5 ± 0.005	V
K_N	Transformation ratio	(1) : 1100	

Accuracy – Dynamic performance data

		min.	typ.	max.	Unit
$I_{P,max}$	Max. measuring range	± 270			A
X	Accuracy @ $I_{PN}, \vartheta_A = 25^\circ C$				± 0.7 %
ϵ_L	Linearity				± 0.1 %
$V_{OUT}-V_{REF}$	Offset voltage @ $I_P = 0A, \vartheta_A = 25^\circ C$				± 1.0 mV
$\Delta V_O / V_{REF} / \Delta \vartheta$	Temperature drift of V_{OUT} @ $I_P=0A, V_{REF}=2.5V, \vartheta_A$	3			10 ppm/ $^\circ C$
t_r	Response time				<1 μs
t_{ra}	Reaction time				<1 μs
$f_{BW} (-3dB)$	Frequency bandwidth	DC...100			kHz

General data

ϑ_A	Ambient operation temperature	-40	85	$^\circ C$
ϑ_S	Ambient storage temperature (acc. to M3101)	-40	85	$^\circ C$
m	Mass	39		g
V_C	Supply voltage	4.75	5	5.25 V
I_C	Supply current at $I_P = 0A$ and RT	15		mA

$^1)S_{clear}$	Clearance (component without solder pad)	12		mm
$^1)S_{creep}$	Creepage (component without solder pad)	12		mm
$^1)U_{sys}$	System voltage		600	V_{RMS}
$^1)U_{AC}$	Working voltage		1000	V_{RMS}
$^1)U_{PD}$	Rated discharge voltage		1414	V_{PEAK}
According to UL 508: max. potential difference				600 V_{AC}

¹⁾Constructed and manufactured and tested in accordance with IEC 61800-5-1:2007 (primary to secondary)
Reinforced insulation, Insulation material group 1, Pollution degree 2, Overvoltage category III

Date	Name	Issue	Amendment
05.03.2018	KRe.	81	UL508 – certification granted. CN-18-042

Hrg.: R&D-PD NPI editor	Bearb.: DJ designer	MC-PM: KRe. check	freig.: Pr. released
-------------------------	---------------------	-------------------	----------------------

K-No.: 26820

100/150A Current Sensor

For the electronic measurement of currents:
DC, AC, pulsed, mixed with a galvanic Isolation
between the primary circuit (high power) and the
secondary circuit (electronic circuit)



Date: 05.03.2018

Customer: Standard Type

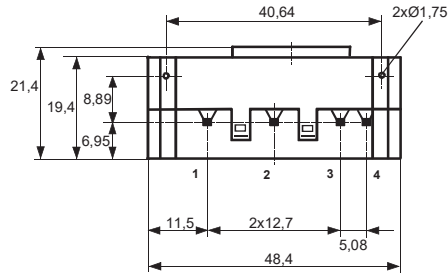
Customers Part no:

Page 2 of 3

Mechanical outline (mm):

General tolerances DIN ISO 2768-c

Connections:



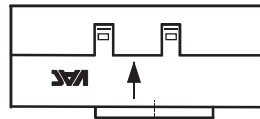
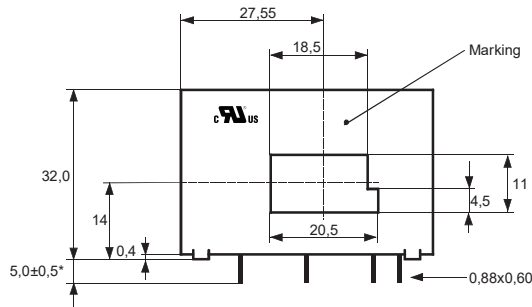
Tolerances grid distance
±0,2mm

DC = Date Code
F = Factory

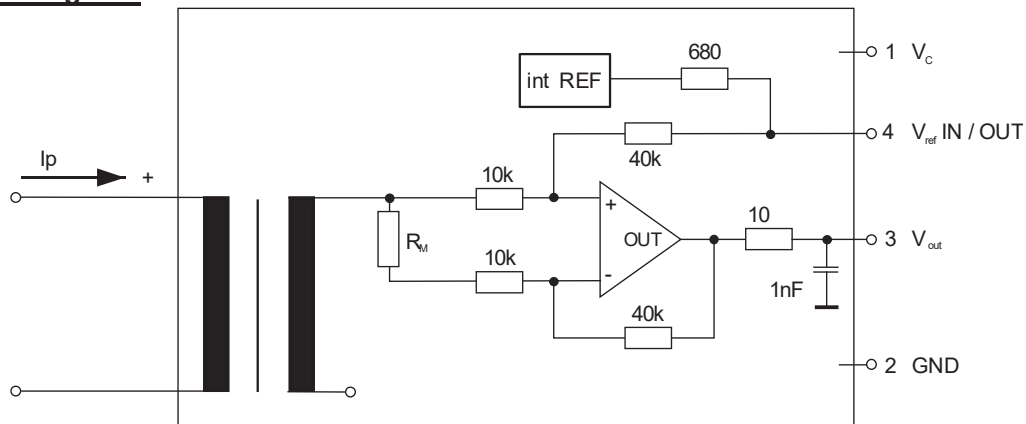
*= preliminary

Pin Nr. 1-4: 0.66 x 0.88mm

Marking:
UL-sign 4647-X260
F DC



Schematic diagram:



Hrg.: R&D-PD NPI
editor

Bearb.: DJ
designer

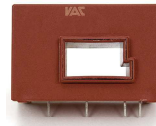
MC-PM: KRe.
check

freig.: Pr.
released

K-No.: 26820

100/150A Current Sensor

For the electronic measurement of currents:
DC, AC, pulsed, mixed with a galvanic Isolation
between the primary circuit (high power) and the
secondary circuit (electronic circuit)



Date: 05.03.2018

Customer: Standard Type

Customers Part no:

Page 3 of 3

Electrical data: (investigate by a type checking)

		min.	typ.	max.	Unit
$V_{C,tot}$	maximum supply voltage (without function)			6	V
I_C	Supply Current with primary current	15mA+ $I_P \cdot K_N + V_{OUT}/R_L$			mA
$I_{OUT,SC}$	Short circuit output current	±20			mA
R_S	Secondary coil resistance @ $\vartheta_A = 85^\circ\text{C}$			15	Ω
$R_{I,REF}$	Internal resistance of Reference output	680			Ω
$R_{I,Vout}$	Output resistance of V_{OUT}	10			Ω
R_L	External recommended resistance of V_{OUT}	1			k Ω
C_L	External recommended capacitance of V_{OUT}			500	pF
$X_{Ti} / \Delta\vartheta$	Temperature drift of X @ $\vartheta_A = -40^\circ\text{C} \dots 85^\circ\text{C}$			40	ppm/ $^\circ\text{C}$
$\Delta V_O = \Delta(V_{OUT} - V_{REF})$	Sum of any offset drift including:		2	5	mV
V_{Ot}	Long term drift of V_O		1		mV
V_{OT}	Temperature drift of V_O @ $\vartheta_A = -40^\circ\text{C} \dots 85^\circ\text{C}$		1		mV
V_{OH}	Hysteresis of V_{OUT} @ $I_P = 0\text{A}$ (caused by $I_P = 10 \times I_{PN}$)		0.4	0.8	mV
$\Delta V_O / \Delta V_C$	Supply voltage rejection ratio		0.1		mV/V
V_{OSS}	Offsetripple (with 1 MHz-Filter, first order)		8	20	mV _{PP}
V_{OSS}	Offsetripple (with 100 kHz-Filter, first order)		4		mV _{PP}
V_{OSS}	Offsetripple (with 20 kHz-Filter, first order)		2		mV _{PP}
C_k	Coupling capacity (primary - secondary)		10		pF
	Mechanical stress according to M3209/3 Settings: 10-2000Hz, 1min/oct, 2 hours		2		g

Routine-Tests: (Measurement after temperature balance of the samples at room temperature, SC=significant characteristic)

$V_{OUT} (SC)$	(100%) M3011/6:	Output voltage	625 ± 0.7%	mV
$V_{OUT} - V_{REF}$	(100%) M3226:	Offset voltage	±1.0	mV
U_d	(100%) M3014:	Test voltage, 1s	2.5	kV _{RMS}
U_{PDE}	(AQL 1/S4) M3024:	Partial discharge voltage (extinction)	1.0	kV _{RMS}
$U_{PD} * 1.875$			1.875	

Type-Tests: (Precondition acc. to M3236)

\hat{U}_W	HV transient test acc. to M3064 (1.2 μs / 50 μs) 5 pulses per polarity, polarity: + / -		8	kV _{PEAK}
U_d	Test voltage acc. to M3014	(5s)	5	kV _{RMS}
U_{PDE}	Partial discharge voltage (extinction) acc. to M3024		1.0	kV _{RMS}
$U_{PD} * 1.875$		1.875		

Other instructions:

- Current direction: A positive output voltage vs. V_{REF} appears at point V_{OUT} , if primary current flows in direction of the arrow sign on Sensor package.
- Temperature of the primary conductor should not exceed 105°C.
- Housing and bobbin material UL-listed: Flammability class 94V-0.
- Further standards: UL 508 file E317483, category NMTR2 / NMTR8

Hrg.: R&D-PD NPI
editor

Bearb.: DJ
designer

MC-PM: KRe.
check

freig.: Pr.
released