

In case of consideration for using Automotive equipment / device which demand high reliability, kindly contact our sales winglow correspondents.

1

7

8

NO.	DESCRIPTION OF REVISIONS	BY	CHKD	DATE	COUNT	DESCRIPTION OF REVISIONS	BY	CHKD	DATE
△					△				
△					△				
△					△				

A

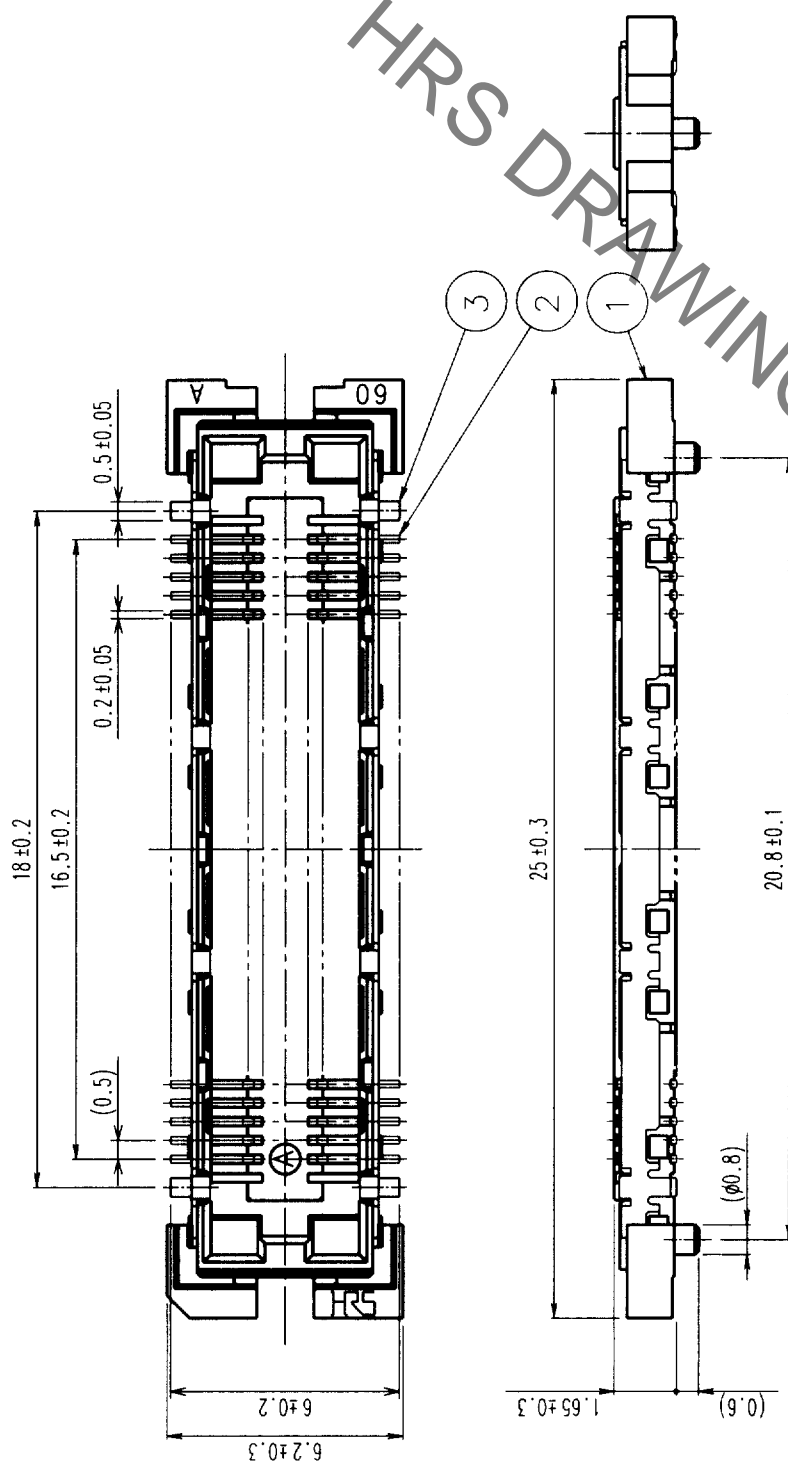
B

C

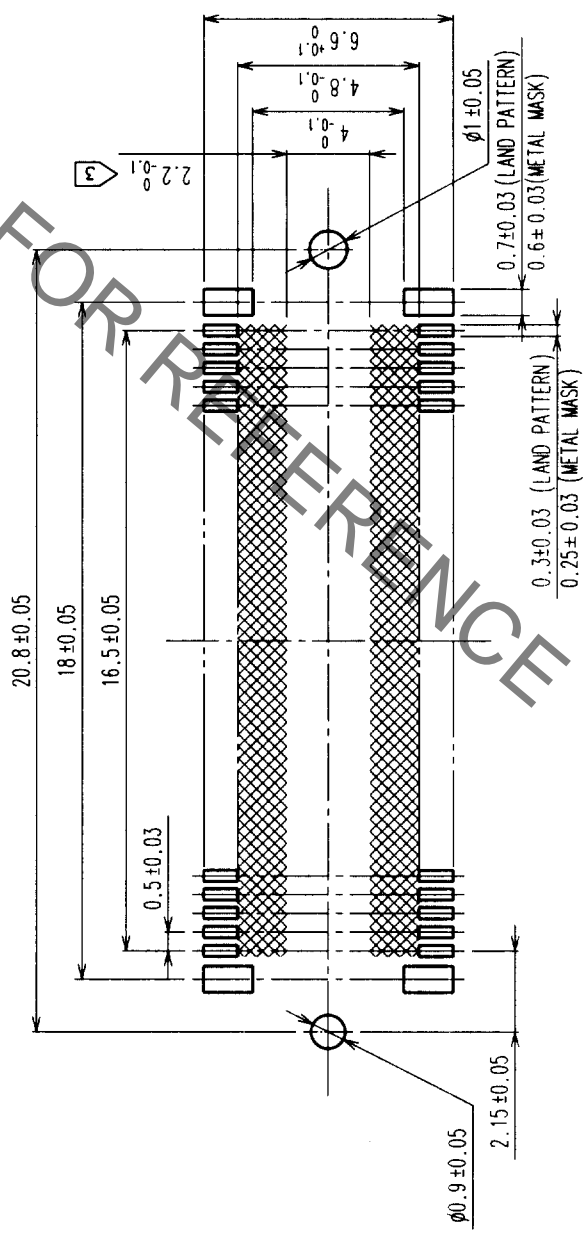
D

E

F



RECOMMENDED LAND PATTERN DIMENSION OF PCB



- NOTES
- 1 SMT LEAD-COPLANARITY: 0.1 MAX.
 - 2 THIS PRODUCT HAS NO POLARITY TO PATTERN FOR MOUNTING.
 - 3 MAKE SURE WIDTH OF PATTERN IS WITHIN THAT OF LAND, OR LEAD MAY TOUCH PATTERN. (THIS APPLIES TO HATCHED AREA.)
 - 4 TO BE EMBOSSED CARRIER TAPED AS SPECIFIED IN SHEET 2.

CONTACT AREA: GOLD (0.1µm) OVER NICKEL		LEAD: GOLD FLASH OVER NICKEL	
2	PHOSPHOR BRONZE	BEIGE	UL94V-0
1	LCP	FINISH, REMARKS	
NO. MATERIAL		NO. MATERIAL	FINISH, REMARKS
CODE NO. (OLD)	CL	DRAWN	DESIGNED
		19.10.25	19.10.25
		19.10.25	19.10.26
		19.10.25	19.10.26

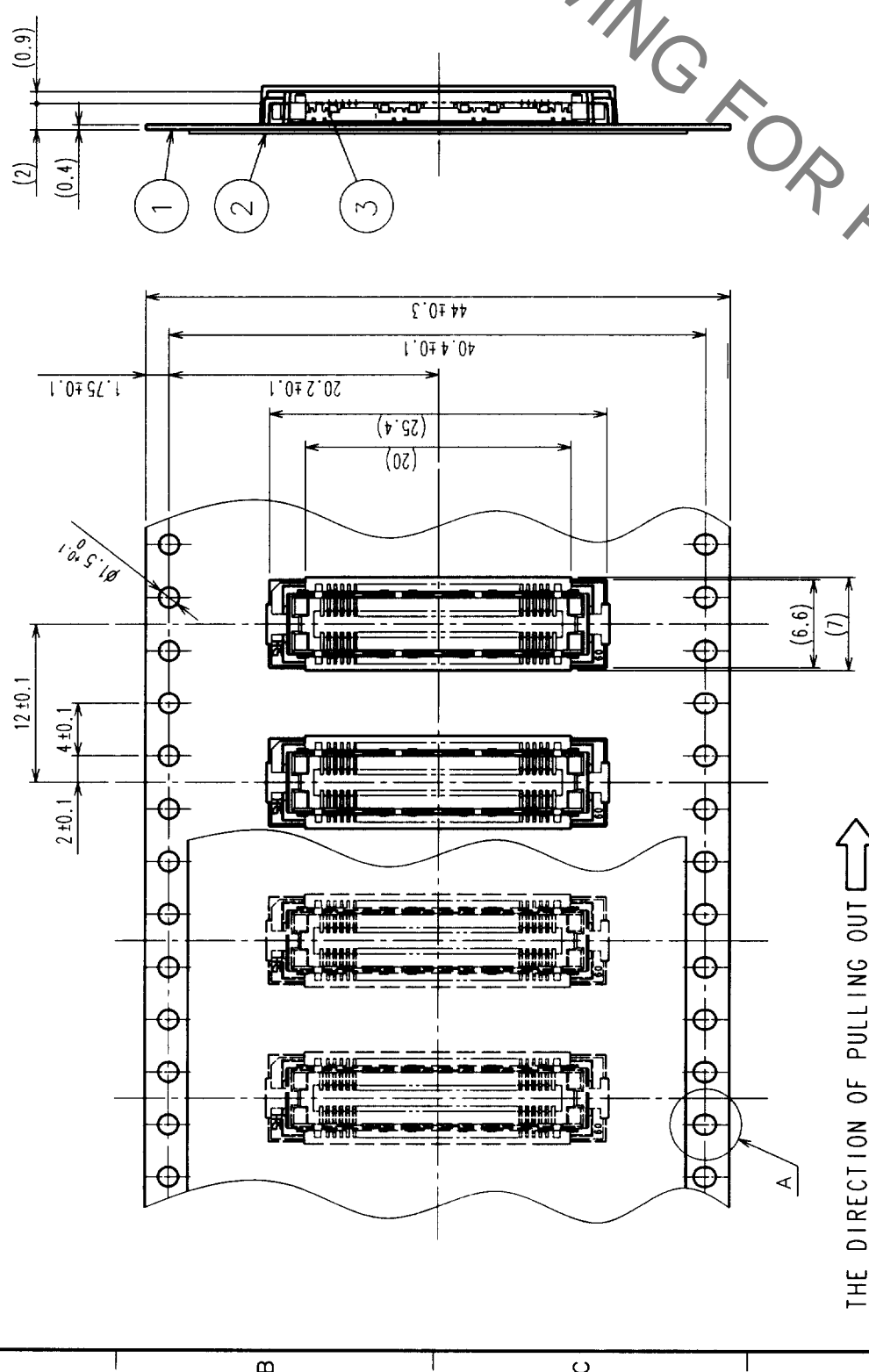
DRAWING NO.		PART NO.	
EDC3-152116-01		FX11LA-68S-SV (21)	
SCALE	5 : 1	CODE NO.	CL573-0142-6-21
UNITS	mm		

HRS HIROSE ELECTRIC CO., LTD.

TO	
PCK	

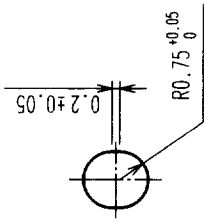
COUNT	DESCRIPTION OF REVISIONS	BY	CHKD	DATE	COUNT	DESCRIPTION OF REVISIONS	BY	CHKD	DATE
△					△				
△					△				
△					△				

REELED DIMENSION (Free)



THE DIRECTION OF PULLING OUT

A (5:1)



- NOTES 1 REEL: 1000 CONNECTORS.
- 2 MINIMUM 10 COMPARTMENTS FROM BOTH REEL ENDS REMAIN EMPTY.
- 3 THIS PRODUCT HAS NO POLARITY TO TAPE AND REEL PACKAGING.

2	PET	TOP COVER TAPE	3	(CONNECTOR)	FINISH, REMARKS	DESIGNED	CHECKED	APPROVED	RELEASED
1	PS	EMBOSSED CARRIER TAPE	3						
NO.	MATERIAL	FINISH, REMARKS	NO.	MATERIAL	FINISH, REMARKS	DESIGNED	CHECKED	APPROVED	RELEASED
CODE NO. (OLD)	CL								
DRAWING FOR PACKING		DRAWN		PART NO.		FX11LA-68S-SV(21)			
SCALE		EDC3-152116-01		CODE NO.		CL573-0142-6-21			
UNITS		mm		HIROSE ELECTRIC CO., LTD					

TO	
PCK	